



MANUFACTURED BY:
Backyard Discovery
3305 Airport Drive, Pittsburg, KS 66762
800-856-4445

Basepoint Business Centre: Rivermead Drive, Westlea, Swindon SN5 7EX Phone: 0800-118-2476
J.P. Coenstraat 7, The Bridge, The Hague, 2595 WP, Netherlands Phone: 0800-567-8990

CANYON CREEK CEDAR HAVEN Swing Set

Model # 1803022 & 2200272 & 2300026

The assembly manual must be retained
since it contains important information



WARNING

Adult Assembly Required.

Not suitable for children under 36 months due to small parts.

FOR DOMESTIC USE ONLY. INTENDED FOR OUTDOOR USE.



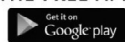
Please visit www.backyarddiscovery.com

For the most up to date assembly manual, to register your set, or to order replacement parts

Para obtener instrucciones en español, visite www.backyarddiscovery.com



**EASY STEP-BY-STEP
3D INTERACTIVE INSTRUCTIONS**
DOWNLOAD THE FREE APP



**INSTALLATION
SERVICES
AVAILABLE!**
See inside for details

Made in China

INS-1803022-A-CANYON CREEK-ENG 7-20-2022

INS-2200272-A-CEDAR HAVEN-ENG 7-20-2022

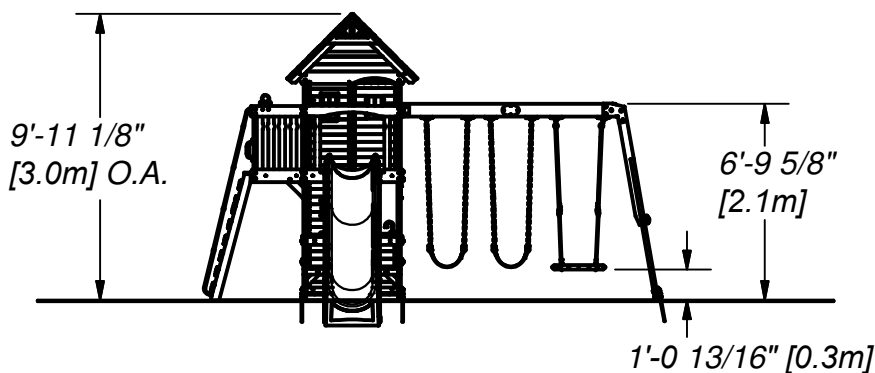
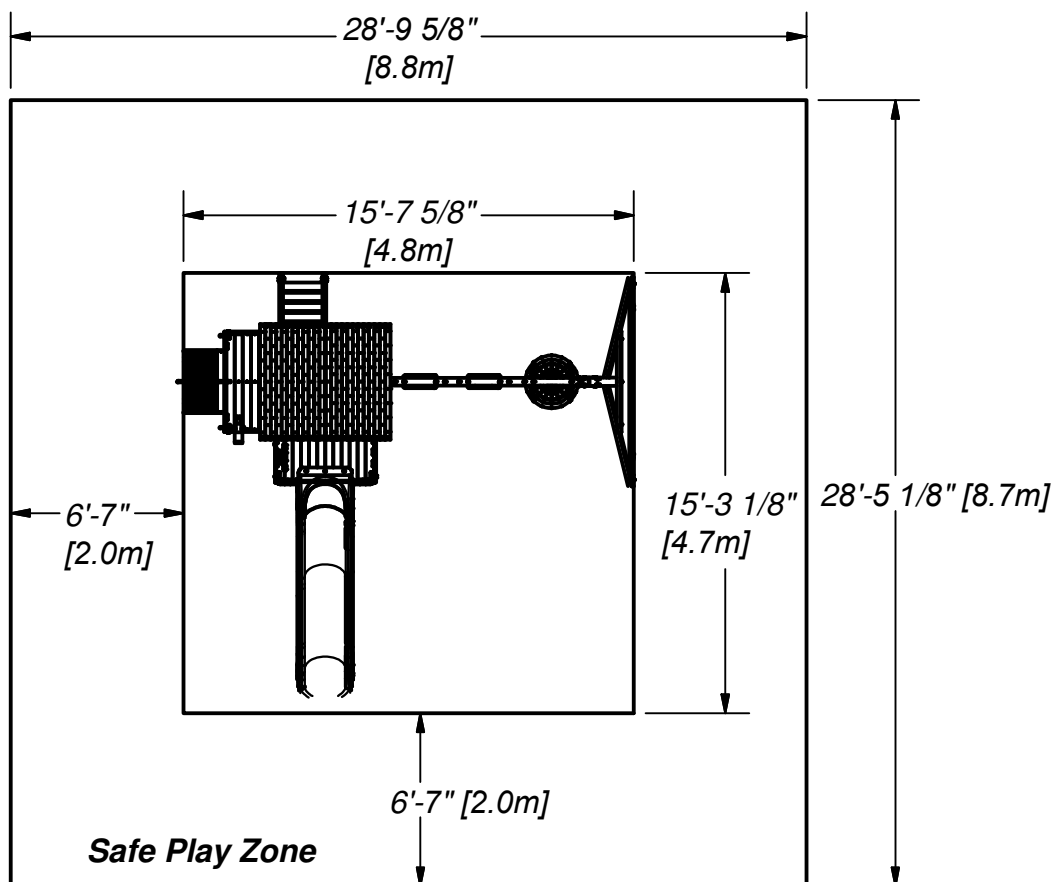
INS-2300026-A-CANYON CREEK-ENG 7-20-2022

Owner's Manual - Basic Setup Dimensions & Assembly Notes

Place the set on level ground, not less than 6'-7" [2 m] from any structure or obstruction such as a fence, garage, house, overhanging branches, laundry lines, or electrical wires.

- While assembling unit, take time before and after each phase to make sure fort is level. If fort is not level, assembly will be difficult and improper assembly may result. Extra care must be taken to insure the fort is square.
- The safe play area refers to a zone extending 6'-7" (2 m) beyond the play product on all sides, including the space above the play product.

SAFE PLAY AREA DIAGRAM



Safe play height: 16'-6 1/8" [5m]
Maximum fall height: 6'-3 1/2" [1.8m]

General Information:

Your set has been designed and engineered for children only and for residential use only.
A maximum of 150 lbs. per child is recommended for play activities designed for individual use.
A maximum of 120 lbs. per child is recommended for play activities designed for multiple child use.
A maximum of 9 children is recommended for this swing set.

Parts Identification

Wood Components

(NOT TO SCALE)



(1) **A74 - HEAVY DUTY SWING BEAM EXT. WEB SWING - W4L11647**
3 3/8"x5 1/4"x89 1/2" (86x134x2274)



(1) **E1 - RIGHT REAR UPRIGHT - W2A02496**
1 3/8"x3 3/8"x51 3/4" (36x86x1314)



(1) **E2 - LEFT REAR UPRIGHT - W4L11117**
1 3/8"x3 3/8"x51 3/4" (36x86x1314)



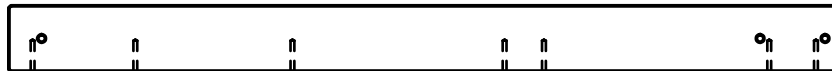
(1) **E3 - LEFT FRONT UPRIGHT - W4L11118**
1 3/8"x3 3/8"x51 3/4" (36x86x1314)



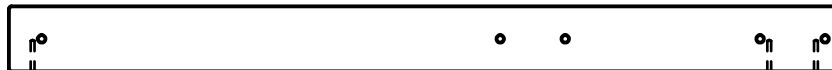
(1) **E4 - RIGHT FRONT UPRIGHT - W4L11119**
1 3/8"x3 3/8"x51 3/4" (36x86x1314)



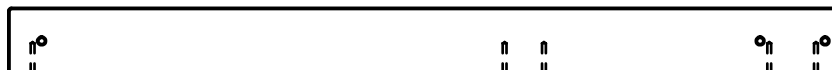
(1) **E5 - RIGHT FRONT BALCONY UPRIGHT - W4L11126**
1 3/8"x3 3/8"x80 3/4" (36x86x2052)



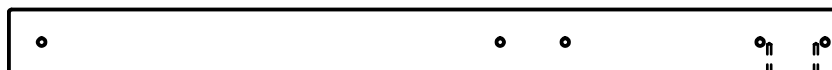
(1) **E6 - LEFT REAR UPRIGHT - W4L11133**
1 3/8"x3 3/8"x43 1/2" (36x86x1104)



(1) **E7 - RIGHT REAR UPRIGHT - W4L11134**
1 3/8"x3 3/8"x43 1/2" (36x86x1104)



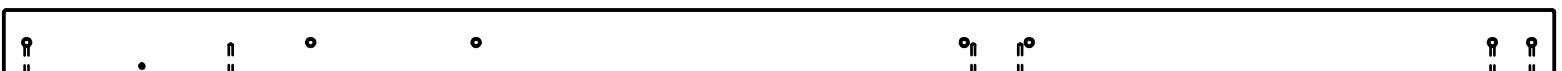
(1) **E8 - LEFT FRONT UPRIGHT - W4L11135**
1 3/8"x3 3/8"x43 1/2" (36x86x1104)



(1) **E9 - RIGHT FRONT UPRIGHT - W4L11136**
1 3/8"x3 3/8"x43 1/2" (36x86x1104)



(2) **E10 - MOUNTING BLOCK - W4L11155**
1 3/8"x3"x4 3/4" (36x76x120)

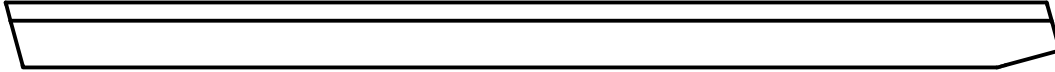


(1) **E11 - RIGHT FRONT BALCONY UPRIGHT - W4L11157**
1 3/8"x3 3/8"x80 3/4" (36x86x2052)

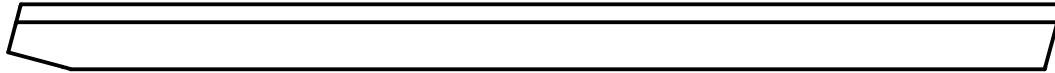
Parts Identification

Wood Components

(NOT TO SCALE)



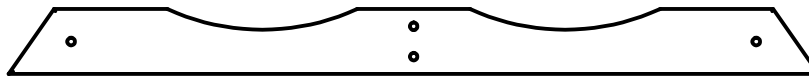
(1) E72 - LEFT RAIL - W4L11168
1 3/8"x3 3/8"x54 7/8" (36x86x1395)



(1) E73 - RIGHT RAIL - W4L11169
1 3/8"x3 3/8"x54 7/8" (36x86x1395)



(2) E77 - ANGLE BRACE - W4L11648
1 3/8"x3 3/8"x73 1/8" (36x86x1859)



(1) E79 - END SUPPORT - W4L11650
1 1/2"x3 1/2"x42" (36x86x1072)



(1) F1 - RIGHT BALCONY UPRIGHT - W4L11130
1 3/8"x2 3/8"x31 3/4" (36x60x805)



(1) F2 - LEFT BALCONY UPRIGHT - W4L11131
1 3/8"x2 3/8"x31 3/4" (36x60x805)



(1) F3 - SUPPORT BLOCK - W4L11159
1 3/8"x2 3/8"x9 1/4" (36x60x234)



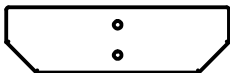
(1) F4 - SUPPORT BLOCK - W4L11160
1 3/8"x2 3/8"x9 1/4" (36x60x234)



(1) G1 - SWING BEAM MOUNT - W4L11137
1"x5 1/4"x62 1/8" (24x134x1577)



(1) G80 - GROUND BOARD - W4L11649
1"x5 1/4"x87 3/8" (24x134x2218)



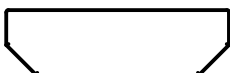
(1) H2 - TABLE SUPPORT - W4L11148
1"x3 3/8"x11 5/8" (24x86x295)



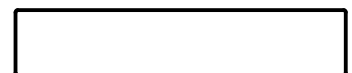
(1) H1 - TABLE SUPPORT - W4L11147
1"x3 3/8"x22 3/8" (24x86x567)



(4) H4 - DECK BRACE - W4L11156
1"x3 3/8"x12 3/4" (24x86x325)



(1) H3 - TABLE SUPPORT - W4L11149
1"x3 3/8"x11 5/8" (24x86x295)



(4) H76 - LADDER RUNG - W4L07620
1"x3 3/8"x17 1/4" (24x86x437)

Parts Identification

Wood Components

(NOT TO SCALE)



- (1) **H77 - LEFT UPRIGHT - W4L11173**
1"x3 3/8"x58" (24x86x1474)



- (1) **H78 - RIGHT UPRIGHT - W4L11174**
1"x3 3/8"x58" (24x86x1474)



- (1) **J1 - PORCH GROUND BOARD - W4L11128**
1"x2 3/8"x40 1/2" (24x60x1030)



- (1) **J2 - PORCH GROUND BOARD - W4L11129**
1"x2 3/8"x40 5/8" (24x60x1032)



- (2) **J3 - BENCH SUPPORT - W4L11150**
1"x2 3/8"x9" (24x60x230)



- (2) **J4 - ANGLE BRACE - W4L11151**
1"x2 3/8"x10" (24x60x254)



- (2) **J5 - SUPPORT BLOCK - W4L11152**
1"x2 3/8"x2 7/8" (24x60x72)



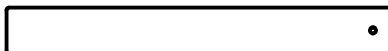
- (2) **J6 - SUPPORT BLOCK - W4L11153**
1"x2 3/8"x6 1/4" (24x60x160)



- (1) **J7 - SUPPORT BLOCK - W4L11158**
1"x2 3/8"x3 3/8" (24x60x86)



- (1) **J8 - FLOOR JOIST - W4L07602**
1"x2 3/8"x40 1/2" (24x60x1029)

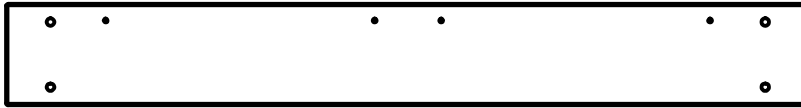


- (1) **J9 - FLOOR JOIST - W4L07603**
1"x2 3/8"x20 1/4" (24x60x513)

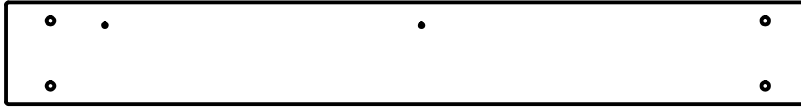
Parts Identification

Wood Components

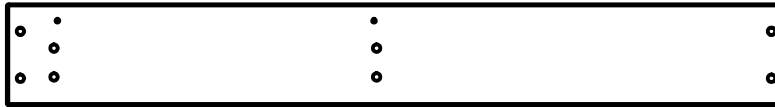
(NOT TO SCALE)



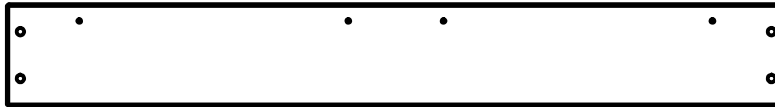
(1) **K1 - GROUND BOARD - W4L11113**
5/8"x5 1/4"x41 7/8" (16x134x1064)



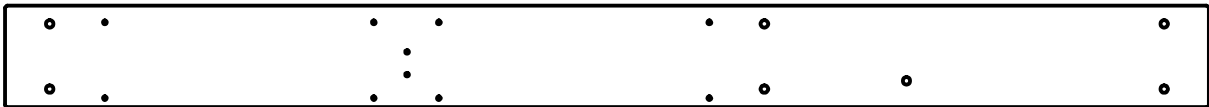
(1) **K2 - GROUND BOARD - W4L11114**
5/8"x5 1/4"x41 7/8" (16x134x1064)



(1) **K3 - GROUND BOARD - W4L11115**
5/8"x5 1/4"x40 1/2" (16x134x1030)



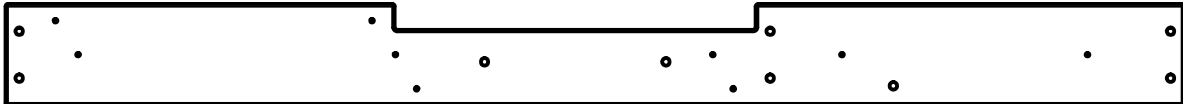
(1) **K4 - GROUND BOARD - W4L11116**
5/8"x5 1/4"x40 1/2" (16x134x1030)



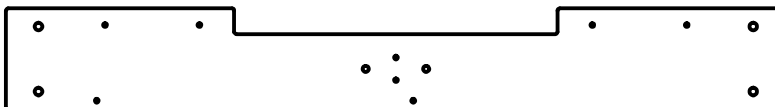
(1) **K5 - RIGHT CENTER WALL RAIL - W4L11120**
5/8"x5 1/4"x62 3/4" (16x134x1593)



(1) **K6 - FRONT CENTER WALL RAIL - W4L11121**
5/8"x5 1/4"x61 3/8" (16x134x1560)



(1) **K7 - REAR CENTER WALL RAIL - W4L11122**
5/8"x5 1/4"x61 3/8" (16x134x1560)



(1) **K8 - LEFT CENTER WALL RAIL - W4L11123**
5/8"x5 1/4"x40 5/8" (16x134x1032)

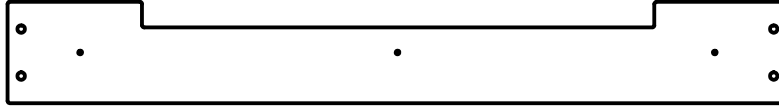
Parts Identification

Wood Components

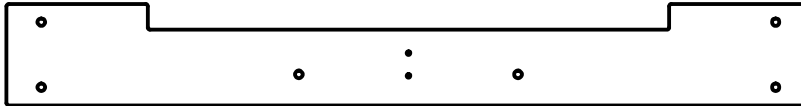
(NOT TO SCALE)



(1) **K9 - LEFT BALCONY WALL RAIL - W4L11124**
5/8"x5 1/4"x20 3/4" (16x134x528)



(1) **K10 - FRONT BALCONY WALL RAIL - W4L11125**
5/8"x5 1/4"x40 5/8" (16x134x1032)



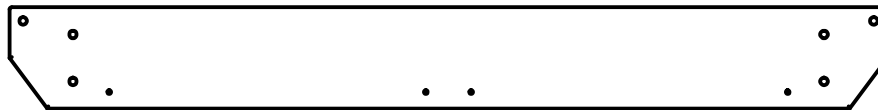
(1) **K11 - LEFT SIDE WALL BOARD - W4L11132**
5/8"x5 1/4"x41 7/8" (16x134x1064)



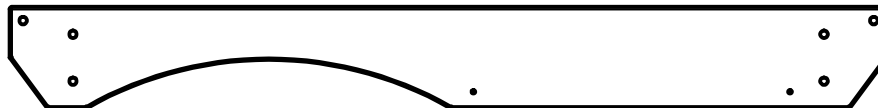
(1) **K12 - ARCHED WALL RAIL - W4L11143**
5/8"x5 1/4"x40 5/8" (16x134x1032)



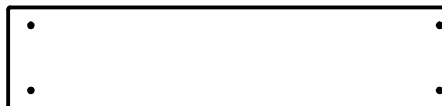
(1) **K13 - ARCHED WALL RAIL - W4L11144**
5/8"x5 1/4"x40 5/8" (16x134x1032)



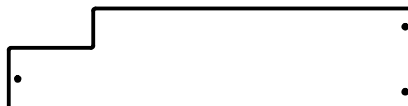
(1) **K14 - ANGLED WALL RAIL - W4L11145**
5/8"x5 1/4"x45 3/4" (16x134x1162)



(1) **K15 - ANGLED WALL RAIL - W4L11146**
5/8"x5 1/4"x45 3/4" (16x134x1162)



(1) **K16 - TABLE BOARD - W4L07594**
5/8"x5 1/4"x23" (16x134x583)



(2) **K17 - FLOOR BOARD - W4L07596**
5/8"x5 1/4"x21 1/8" (16x134x537)

Parts Identification

Wood Components

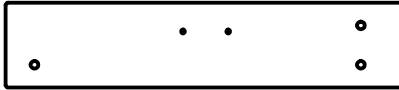
(NOT TO SCALE)



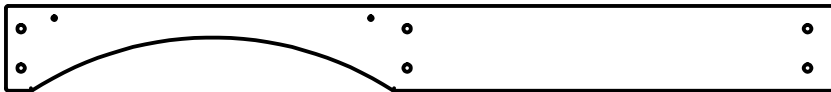
(1) **L1 - ARCHED WALL RAIL - W4L11138**
5/8"x4 3/8"x40 5/8" (16x112x1032)



(1) **L2 - WALL RAIL - W4L11139**
5/8"x4 3/8"x23 1/4" (16x112x590)



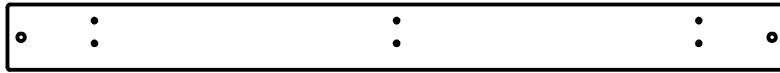
(1) **L3 - WALL RAIL - W4L11140**
5/8"x4 3/8"x20 7/8" (16x112x529)



(1) **L4 - ARCHED WALL RAIL - W4L11141**
5/8"x4 3/8"x43 3/8" (16x112x1103)



(2) **L5 - GROUND BOARD - W4L11652**
5/8"x4 3/8"x24 1/8" (16x112x612)



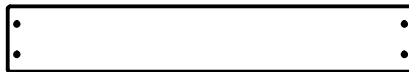
(1) **M1 - WALL RAIL - W4L11154**
5/8"x3 3/8"x40 1/2" (16x86x1030)



(2) **M2 - BENCH BOARD - W4L07591**
5/8"x3 3/8"x23" (16x86x583)



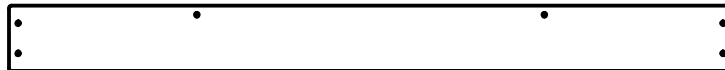
(4) **M3 - TABLE BOARD - W4L07593**
5/8"x3 3/8"x23" (16x86x583)



(8) **M4 - FLOOR BOARD - W4L07597**
5/8"x3 3/8"x21 1/8" (16x86x537)



(1) **M5 - FLOOR BOARD - W4L07598**
5/8"x3 3/8"x19 1/4" (16x86x488)



(1) **M6 - COUNTER TOP - W4L07605**
5/8"x3 3/8"x37 5/8" (16x86x957)



(2) **M7 - COUNTER TOP - W4L07606**
5/8"x3 3/8"x38 5/8" (16x86x981)

Parts Identification

Wood Components

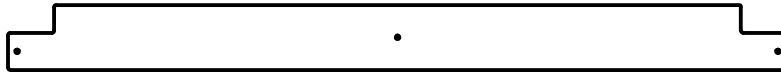
(NOT TO SCALE)



- (1) **M8 - FLOOR BOARD - W4L07607**
5/8"x3 3/8"x20 1/8" (16x86x512)



- (10) **M9 - FLOOR BOARD - W4L07608**
5/8"x3 3/8"x20 1/8" (16x86x512)



- (1) **M10 - FLOOR BOARD - W4L07609**
5/8"x3 3/8"x40 5/8" (16x86x1031)



- (15) **M11 - FLOOR BOARD - W4L07610**
5/8"x3 3/8"x40 5/8" (16x86x1031)



- (2) **M12 - FLOOR BOARD - W4L07611**
5/8"x3 3/8"x40 5/8" (16x86x1031)



- (1) **M13 - FLOOR BOARD - W4L07671**
5/8"x3 3/8"x20 1/8" (16x86x512)



- (1) **M73 - REAR SUPPORT - W4L07619**
5/8"x3 3/8"x18 1/4" (16x86x465)



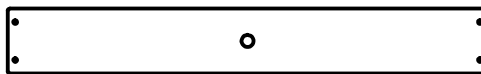
- (7) **M74 - ROCK WALL BOARD - W4L07624**
5/8"x3 3/8"x25" (16x86x635)



- (4) **M75 - ROCK WALL BOARD - W4L07627**
5/8"x3 3/8"x25" (16x86x635)



- (4) **M76 - ROCK WALL BOARD - W4L07626**
5/8"x3 3/8"x25" (16x86x635)



- (1) **M77 - ROCK WALL BOARD - W4L11171**
5/8"x3 3/8"x25" (16x86x635)

Parts Identification

Wood Components

(NOT TO SCALE)



- (1) **M102 - ATTACHMENT BOARD - W4L11167**
5/8"x3 3/8"x26 1/4" (16x86x667)



- (1) **M108 - TOP BOARD - W4L11170**
5/8"x3 3/8"x26 1/4" (16x86x667)



- (1) **M110 - ATTACHMENT BOARD - W4L11172**
5/8"x3 3/8"x18 1/4" (16x86x465)



- (2) **N1 - PORCH GROUND BOARD - W4L11127**
5/8"x2 3/8"x21 1/8" (16x60x537)



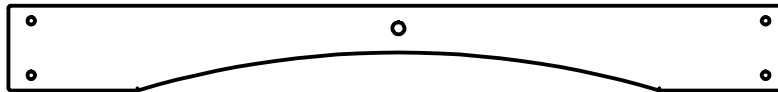
- (18) **N2 - PICKET - W4L07612**
5/8"x2 3/8"x24 3/4" (16x60x628)



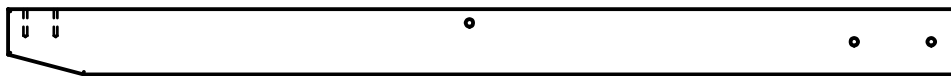
- (2) **N3 - BENCH BOARD - W4L07592**
5/8"x2 3/8"x23" (16x60x583)



- (1) **O70 - SLIDE MOUNTING BOARD - W4L09040**
5/8"x1 3/8"x20 3/8" (16x34x517)



- (1) **Q1 - ARCHED WALL RAIL - W4L11142**
1"x4 3/8"x40 5/8" (24x112x1032)



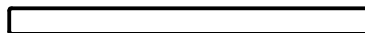
- (1) **SP1 - SWING BEAM SUPPORT - W4L11651**
3 3/8"x3 3/8"x49 5/8" (86x86x1260)



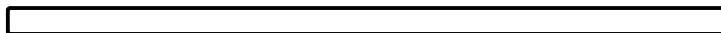
- (3) **T1 - SUPPORT BOARD - W4L07599**
1"x1 3/8"x37 5/8" (24x34x957)



- (1) **T2 - SUPPORT BOARD - W4L07600**
1"x1 3/8"x37 3/4" (24x34x959)



- (2) **T3 - SUPPORT BOARD - W4L07601**
1"x1 3/8"x18 3/4" (24x34x477)

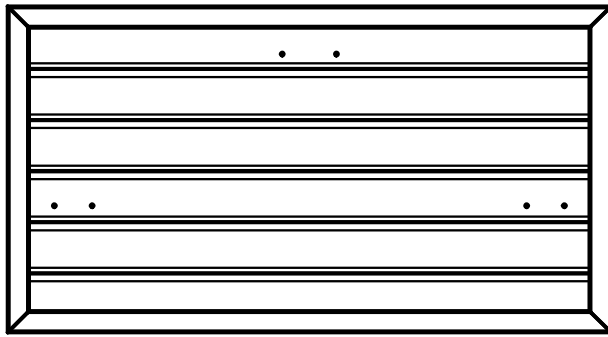


- (1) **T4 - SUPPORT BOARD - W4L07613**
1"x1 3/8"x37 3/4" (24x34x958)

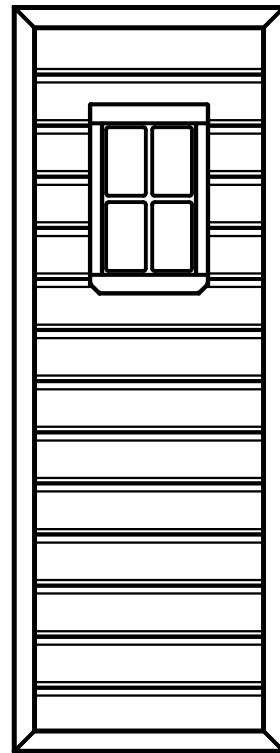
Parts Identification

Wood Components

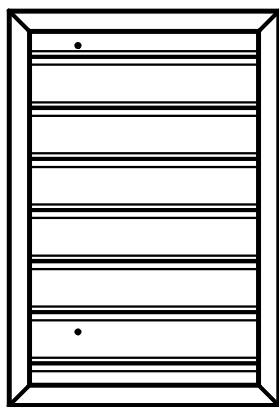
(NOT TO SCALE)



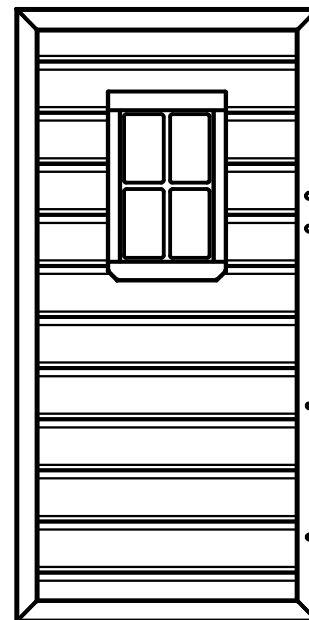
(1) WP1 - FRONT WALL PANEL - W2A02082
1"x20 3/8"x37 3/4" (24x517x958)



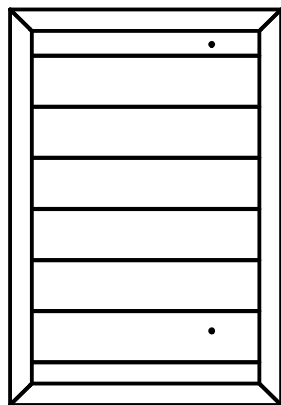
(2) WP2 - RIGHT LOWER WALL PANEL - W2A02083
1"x16 7/8"x46 1/2" (24x430x1181)



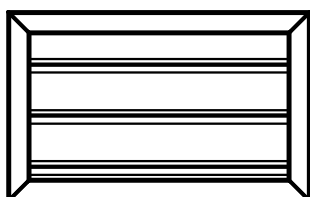
(1) WP3 - TOP RIGHT FRONT WALL PANEL - W2A02497
1"x16 7/8"x24 5/8" (24x430x627)



(1) WP4 - TOP RIGHT FRONT WALL PANEL - W2A02498
1"x16 7/8"x24 5/8" (24x430x627)



(1) WP5 - TOP LEFT REAR WALL PANEL - W2A02086
1"x16 7/8"x46 1/2" (24x430x971)

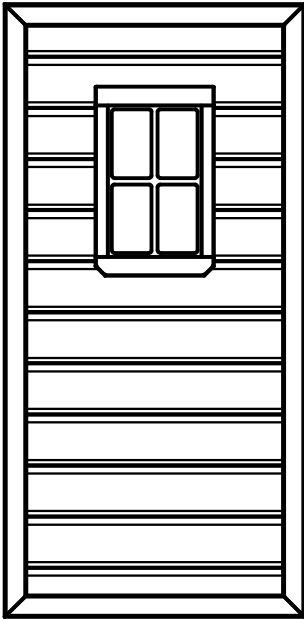


(1) WP6 - TOP REAR WALL PANEL - W2A02087
1"x18 7/8"x11 3/4" (24x479x300)

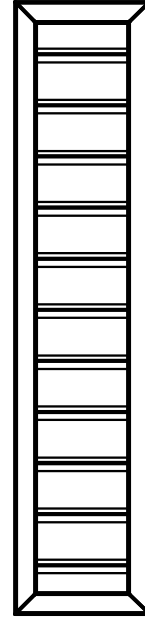
Parts Identification

Wood Components

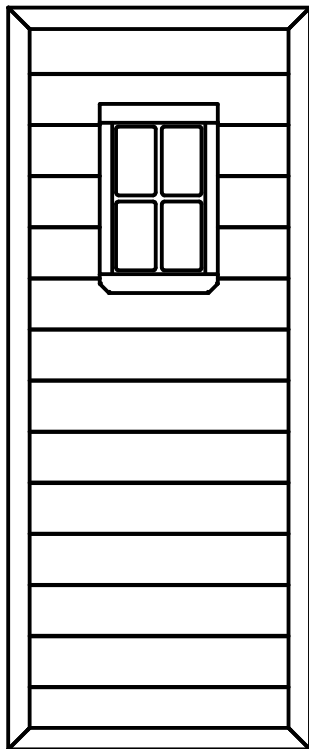
(NOT TO SCALE)



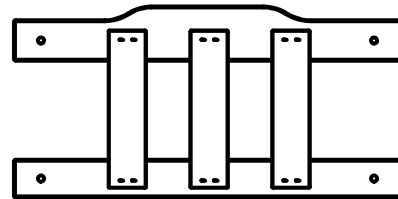
(1) WP7 - TOP FRONT WALL PANEL - W2A02088
1"x16 7/8"x38 1/4" (24x476x971)



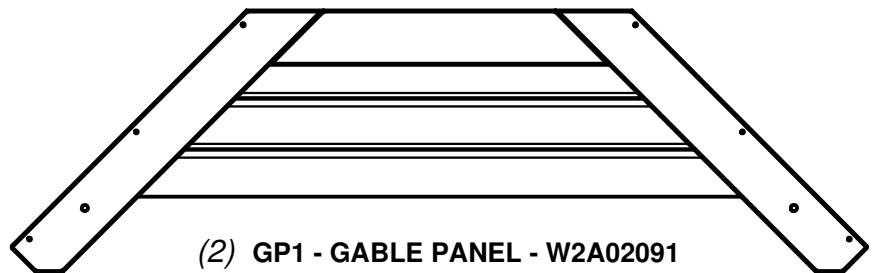
(2) WP8 - TOP LEFT WALL PANEL - W2A02089
1"x11 3/4"x38 1/4" (24x214x971)



(2) WP9 - LOWER WALL PANEL - W2A02090
1"x18 7/8"x46 1/4" (24x479x1176)



(2) WP10 - BENCH BACK ASSEMBLY - W2A02081
1 1/8"x11 7/8"x17 5/8" (27x303x615)

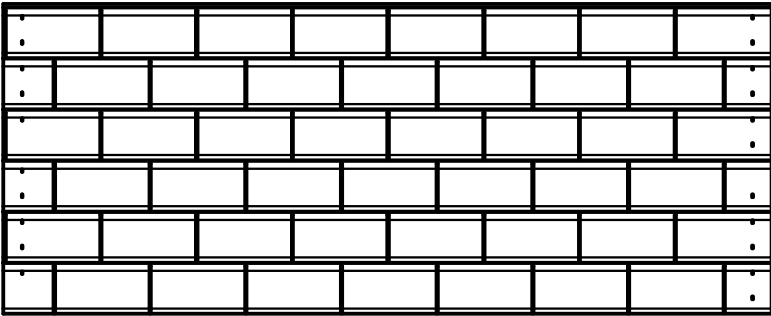


(2) GP1 - GABLE PANEL - W2A02091
1 1/8"x53 1/2"x16 3/8" (27x1359x414)

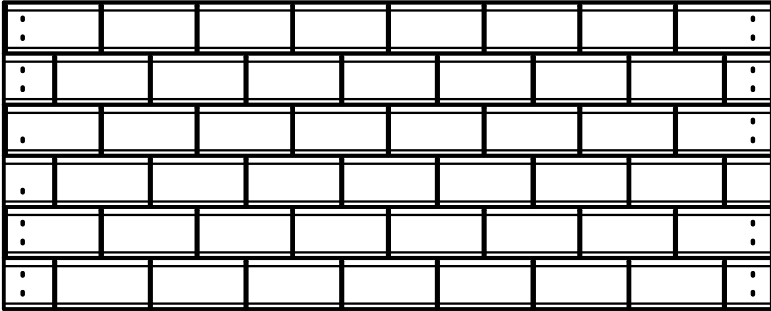
Parts Identification

Wood Components

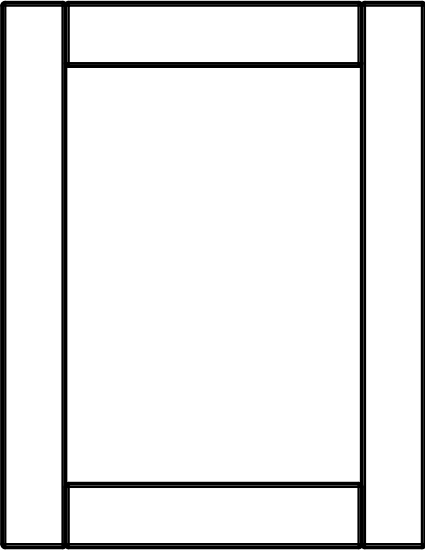
(NOT TO SCALE)



(2) RP1 - BOTTOM ROOF PANEL - W2A02494
1 3/8"x48"x19 3/8" (35x1220x491)



(2) RP2 - TOP ROOF PANEL - W2A02495
1 3/8"x48"x19 1/8" (35x1220x486)



(1) - CHALKBOARD - A4M00906

Parts Identification

Hardware



(1) - BOLT WH 5/16X6 BLK - H100363



(86) - SCREW PFH 8x1-1/8" - H100088



(7) - SCREW PFH 8x1-1/4" - H100087



(249) - SCREW PFH 8x1-1/2" - H100086



(13) - SCREW PFH 8x1-3/4" - H100089



(71) - SCREW PFH 8x1 1/4 BLK - H100387



(17) - SCREW PFH 8x1-1/2 BLK - H100200



(4) - SCREW PFH 8x1 3/4 BLK - H100382



(24) - SCREW PFH 8x2 BLK - H100391



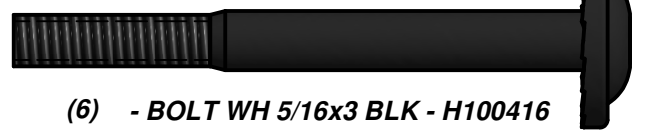
(17) - SCREW PWH 8x5/8 - H100128



(9) - SCREW PWH 8x1-1/4 - H100180



(4) - SCREW PWH 8x1/2 BLK - H100408



(6) - BOLT WH 5/16x3 BLK - H100416



(3) - BOLT WH 5/16x2-3/4 BLK - H100195



(13) - BOLT WH 5/16x2-1/4 BLK - H100205



(48) - BOLT WH 5/16x2 BLK - H100457



(4) - BOLT WH 5/16x1 3/4 BLK - H100378



(7) - BOLT WH 5/16x1 1/2 BLK - H100407



(9) - BOLT WH 5/16x1 1/4 BLK - H100459



(4) - BOLT WH 5/16x1 BLK - H100468



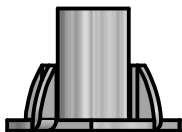
(18) - BOLT WH 5/16x1/2 BLK - H100396



(28) - T-NUT 1/4 - H100072



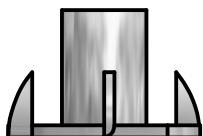
(2) - T-NUT 1/4 BLK - H100398



(3) - T-NUT 5/16 - H100074



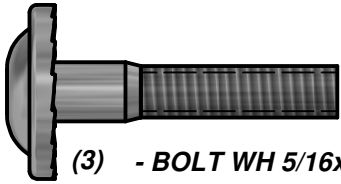
(79) - T-NUT 5/16 BLK - H100379



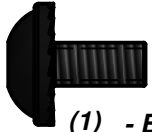
(13) - T-NUT 3/8 - H100073

Parts Identification

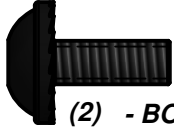
Hardware



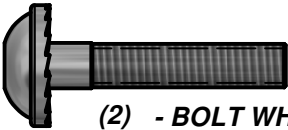
(3) - BOLT WH 5/16x1 1/2 - H100010



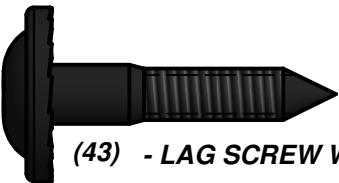
(1) - BOLT WH 1/4x1/2 BLK - H100401



(2) - BOLT WH 1/4x5/8 BLK - H100486



(2) - BOLT WH 1/4x1-1/4 - H100142



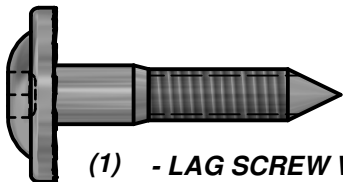
(43) - LAG SCREW WH 5/16x1 1/2 BLK - H100471



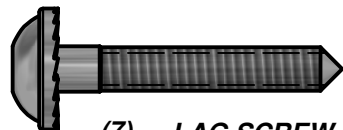
(7) - LAG SCREW WH 5/16x2 BLK - H100458



(4) - LAG SCREW WH 5/16x3 BLK - H100206



(1) - LAG SCREW WH 5/16x1 1/2 - H100026



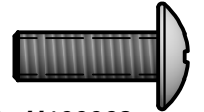
(7) - LAG SCREW WH 1/4x1-1/2 - H100145



(4) - LAG SCREW WH 1/4x1-1/2 BLK - H100403



(2) - LAG SCREW WH 1/4x2 BLK - H100487



(26) - BOLT PTH 1/4x3/4 - H100063



(15) - NUT BARREL WH 5/16x5/8 BLK - H100469



(20) - NUT BARREL WH 5/16x7/8 BLK - H100192



(1) - NUT BARREL WH 1/4x7/8 BLK - H100399



(2) - BOLT HEX 5/16x4 1/4 BLK - H100476



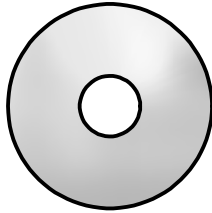
(4) - BOLT HEX 5/16x1 1/4 BLK - H100481

Parts Identification

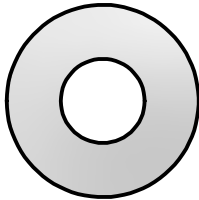
Hardware



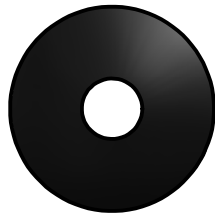
(2) - NUT LOCK 5/16 BLK - H100479



(1) - WASHER FLAT 8x27 - H100105



(13) - WASHER FLAT 11x25 - H100102



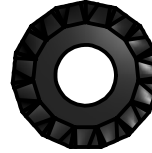
(9) - WASHER FLAT 8x27 BLK - H100478



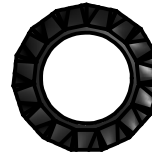
(4) - WASHER SPLIT 5/16 BLK - H100477



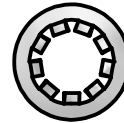
(7) - WASHER LOCK EXT 6x15 BLK - H100405



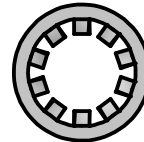
(137) - WASHER LOCK EXT 8x19 BLK - H100198



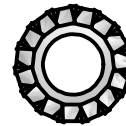
(29) - WASHER LOCK EXT 12x19 BLK - H100199



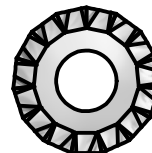
(26) - WASHER LOCK INT 8x15 - H100108



(13) - WASHER LOCK INT 10x18 - H100107



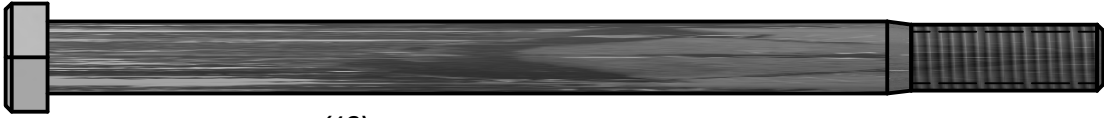
(9) - WASHER LOCK EXT 6x15 - H100138



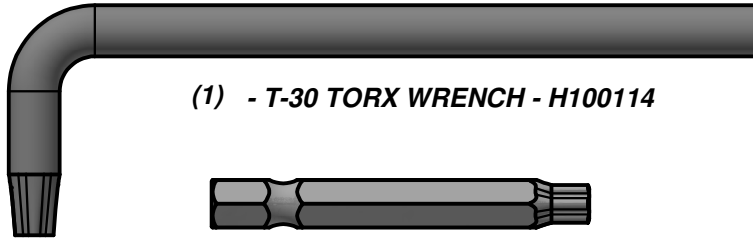
(3) - WASHER LOCK EXT 8x19 - H100030

Parts Identification

Hardware



(13) - BOLT HEX 3/8x5-1/2 - H100654



(1) - T-30 TORX WRENCH - H100114



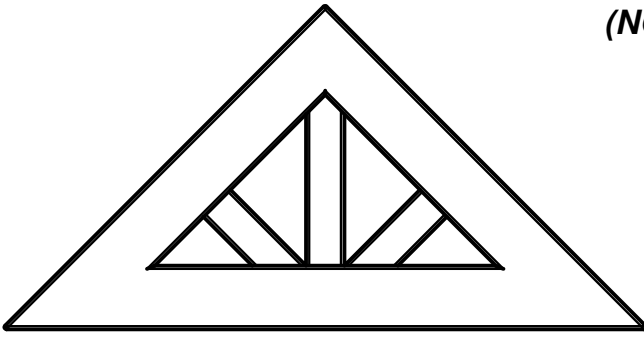
(1) - T-30 TORX BIT - H100147



(1) - MAGNETIC DRIVER - H101100

Parts Identification

Accessories
(NOT TO SCALE)



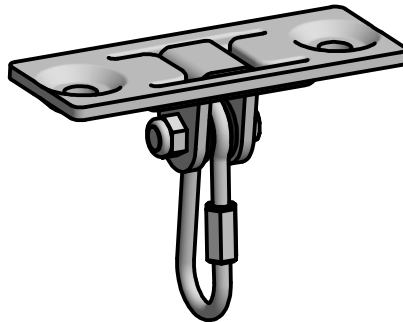
(2) SY - PLASTIC SUNBURST - A100322



(1) - BYD ID TAG (LARGE) AGES 3-10 - A100164



(1) QU - SLIDE VF 10 FT - A100287 OR A6P00540 OR A6P00539



(6) BY - SWING HANGER QUICK LINK - A4M00505-3



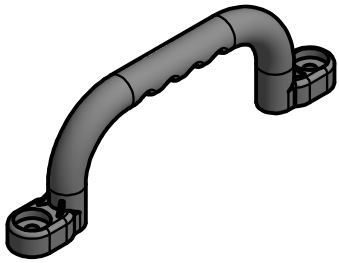
(6) - GROUND STAKE REBAR - A4M00527



(4) - CHAIN GREEN 51.25" - A100068

Parts Identification

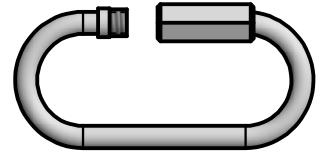
Accessories (NOT TO SCALE)



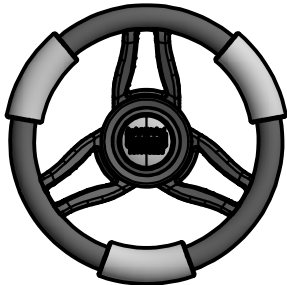
(4) DQ - HAND GRIP GREEN PLASTIC - A100028



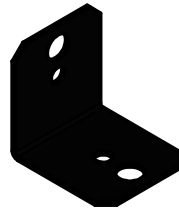
(1) - "A" REVISION TAG - A100314



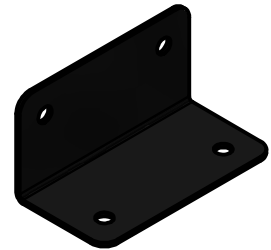
(4) FA - QUICK LINK - A100069



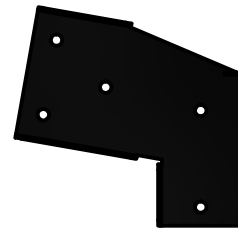
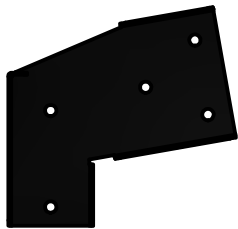
(1) LP - STEERING WHEEL - A100105



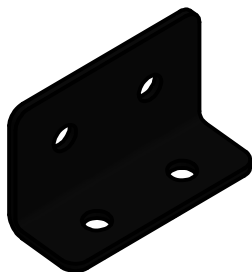
(2) - 90° L-BRACKET - BLK - A4M00555



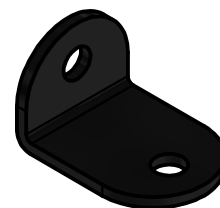
(2) - L BRACKET 66x66x127 - BLK - A4M00619



(1) - SWING BEAM EXTENSION BRACKET-LEFT - A4M00617 (1) - SWING BEAM EXTENSION BRACKET-RIGHT - A4M00618



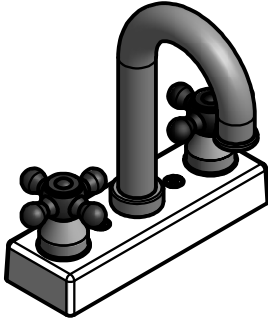
(2) - L BRACKET 51x32x82x3.175 - A4M00855



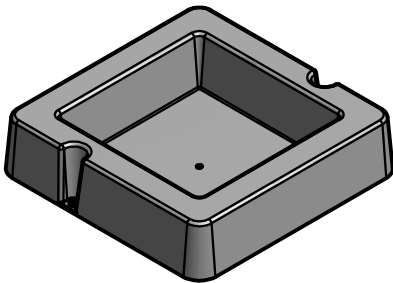
(2) - L BRACKET BLACK 32x51 - A4M00710

Parts Identification

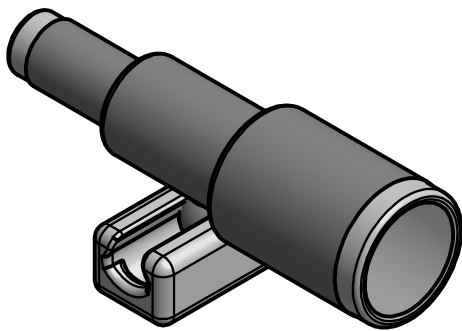
Accessories
(NOT TO SCALE)



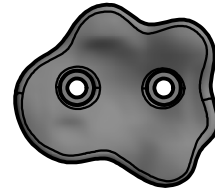
(1) - FAUCET KIT - A6P00024



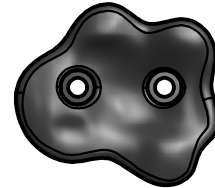
(1) - SURFACE MOUNT BASIN - A6P00032



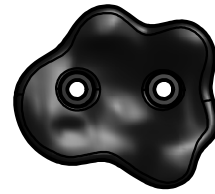
(1) LN - Telescope - A6P00096



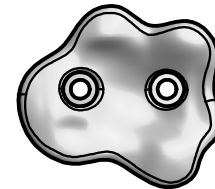
(3) - GREEN HC ROCK #1 - A6P00036



(3) - RED HC ROCK #1 - A6P00038



(3) - BLUE HC ROCK #2 - A6P00040



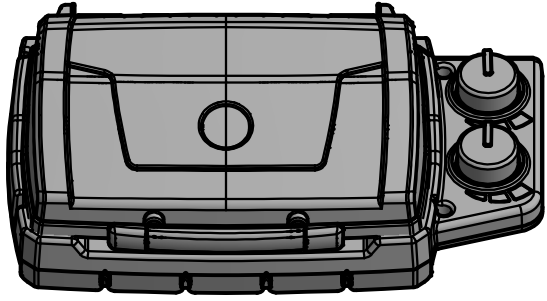
(3) - YELLOW HC ROCK #1 - A6P00042



(1) GRILL FOOD SET - 141154

Parts Identification

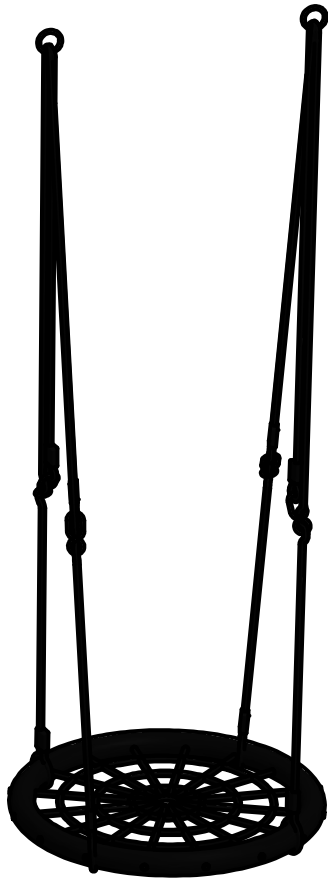
Accessories
(NOT TO SCALE)



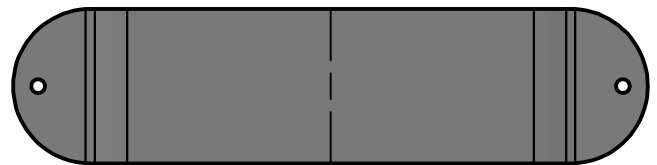
(1) GRILL - A6P00282



(1) - CLIMBING ROPE - A6P00260



(1) - 21" WEB SWING SEAT - A6P00285



(2) - SWING SEAT GREEN 22IN - A6P00054

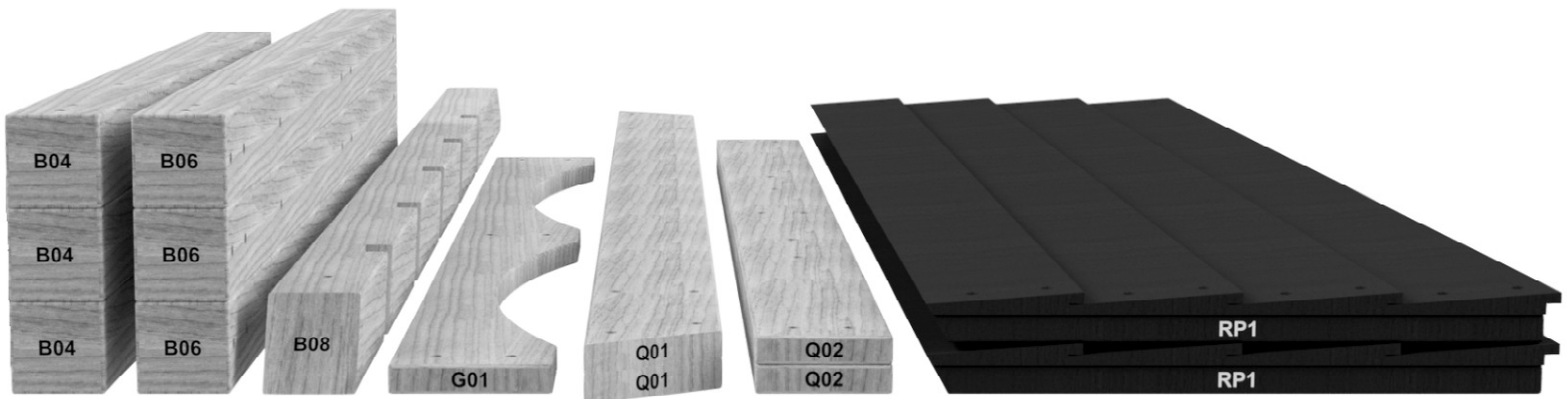
PRE-ASSEMBLY STEP 1 - SORTING PARTS

It is critical for ease of assembly that you take the time to sort and organize the wood and hardware.

WOOD PARTS:

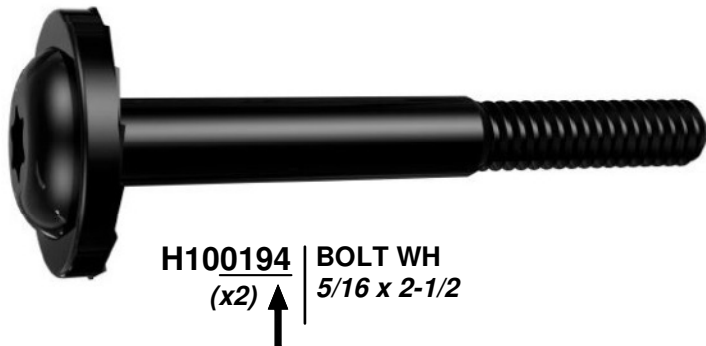
- Organize wood parts by the three-digit, alpha-numeric number stamped on each board (ex. P01).
- If there are multiple boards with the same stamped number, stack those pieces together.
- Stamps can be found on the flat surface of the boards or on the end of the boards.
- Allow yourself plenty of room - the wood pieces can take up a significant amount of space.

NOTE: CARTONS ARE NOT ORGANIZED BY BOARD NUMBER.



HARDWARE PARTS:

- We recommend that you have a separate table to organize the hardware.
- Hardware bags are printed with a seven-digit, alpha-numeric part number.
- You can organize your hardware by part number or group by hardware type (i.e. bolts, nuts, etc.).
- During assembly you only need to reference the last four digits of the number.



PRE-ASSEMBLY STEP 2 - TOOLS REQUIRED



**Cordless Drill or
Electric Drill**



**Drill Attachments:
Phillips Head**



**1/8", 3/16", 3/8" & 7/16"
Drill Bits**



Phillips Screw Driver



Open End Wrenches 1/2" & 9/16"



**3/8" Drive Ratchet, 1/2" &
9/16" STD Sockets 1/2" & 9/16" Deep
Sockets**



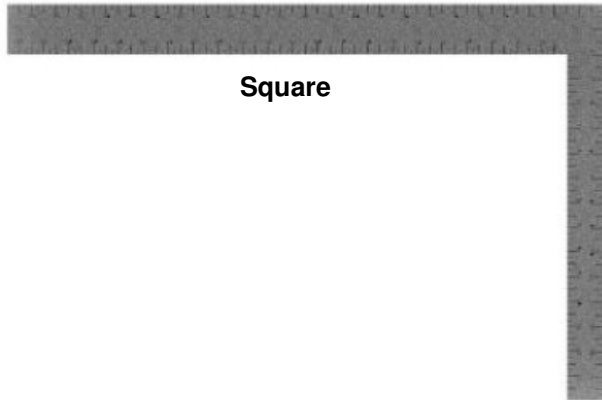
Claw Hammer



Rubber Mallet - Optional



Tape Measure



Square

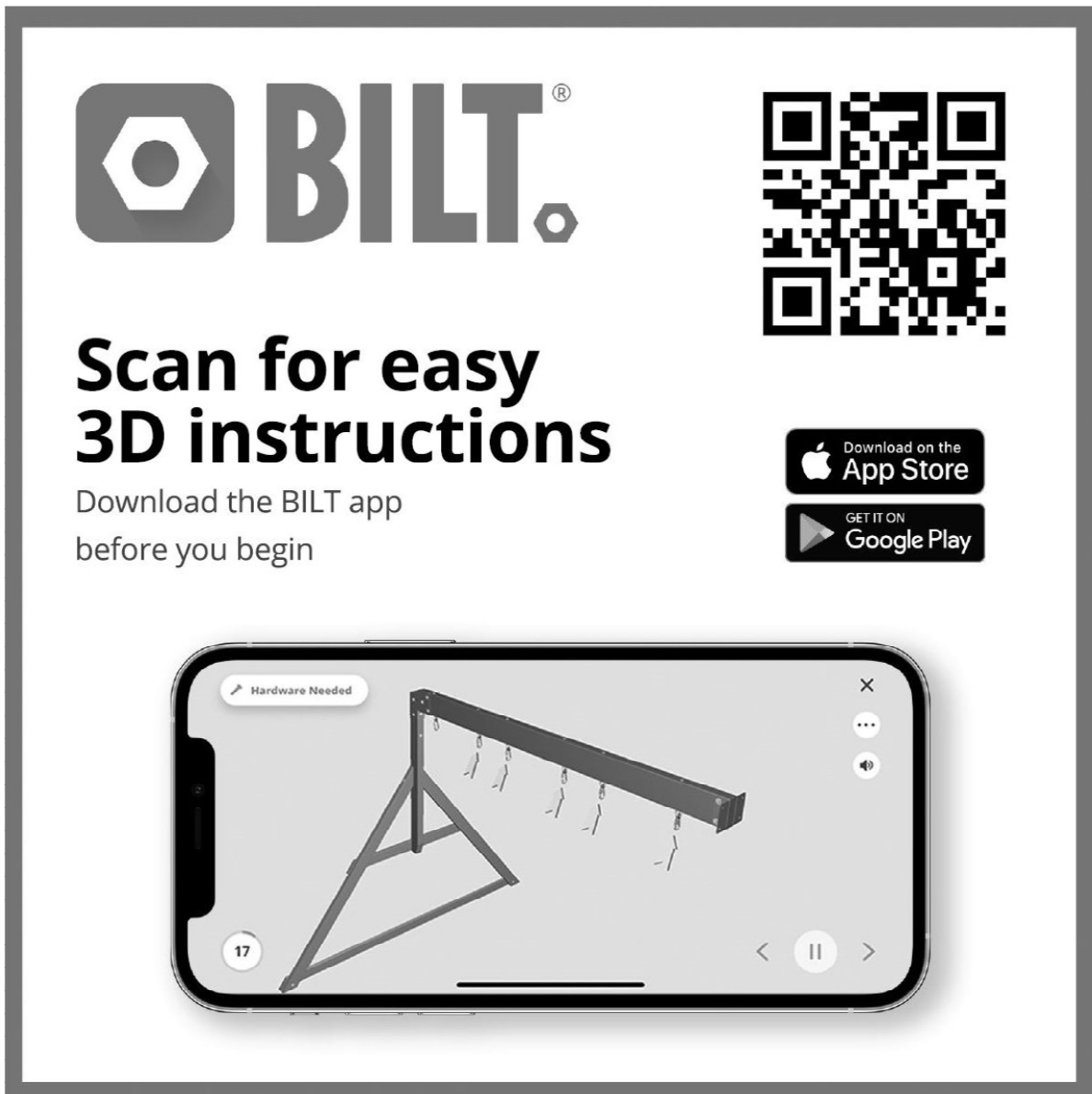


Level 24"

PRE-ASSEMBLY STEP 3 - CHOOSE YOUR ASSEMBLY METHOD

There are several types of assembly instructions available to you.

1. Printed Assembly Manual included with your set
2. BILT APP - 3D interactive instructions
3. Combination of the Printed Manual and BILT APP (Note: Step numbers can differ between the two methods)



The advertisement features the BILT logo on the left, a QR code on the right, and the text "Scan for easy 3D instructions" in the center. Below the text are buttons for "Download on the App Store" and "GET IT ON Google Play". At the bottom, a smartphone displays a 3D assembly instruction for step 17, showing a metal frame with a horizontal bar and several hanging components. The phone screen also shows a "Hardware Needed" list, a close button (X), a menu button (three dots), a volume icon, and navigation arrows.



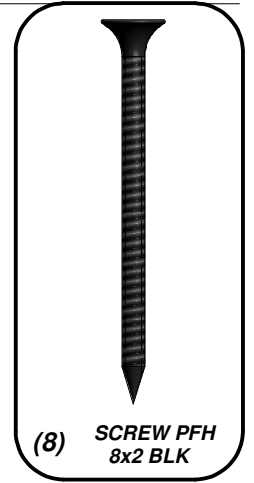
(1) H77 - LEFT UPRIGHT - W4L11173
1"x3 3/8"x58" (24x86x1474)



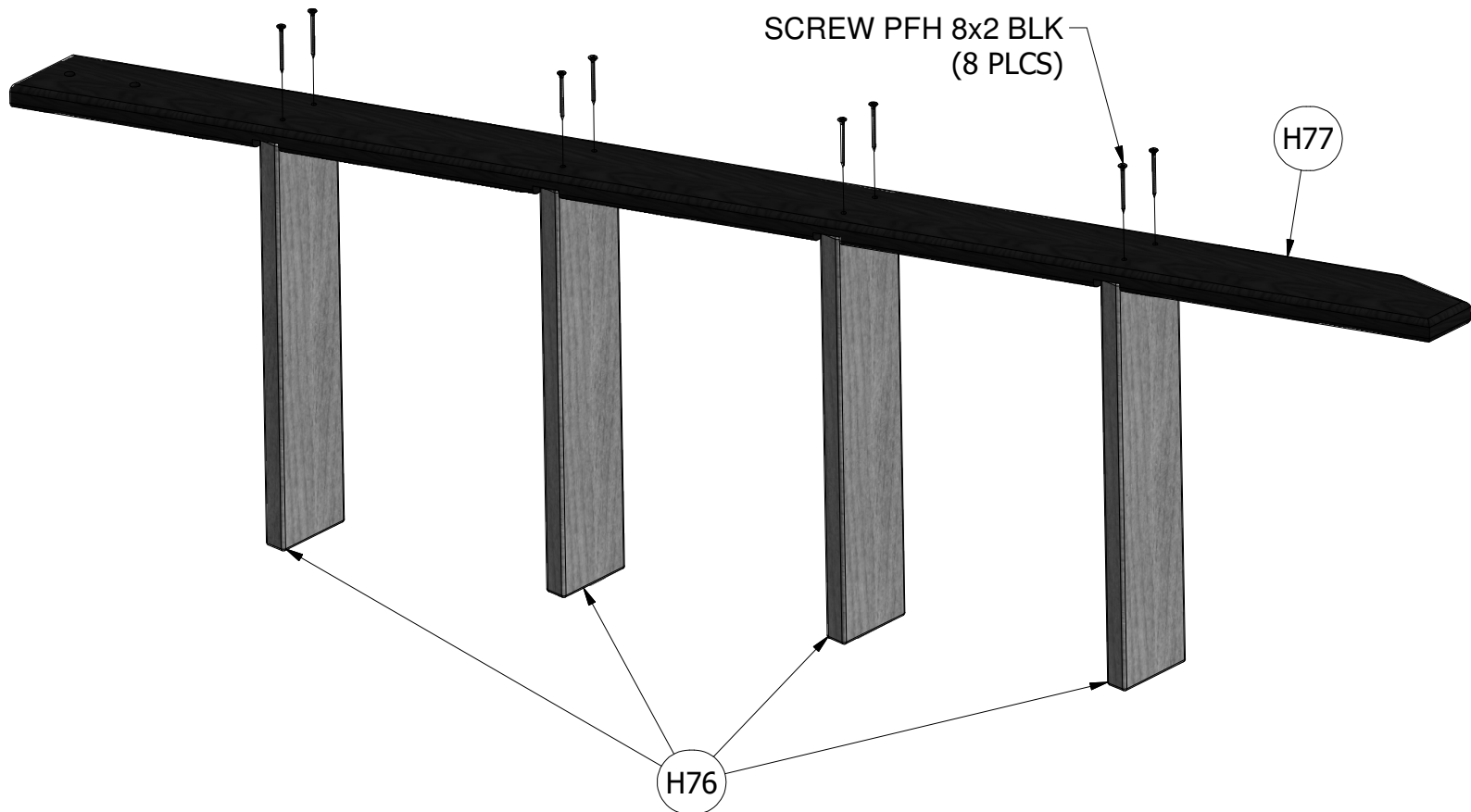
(4) H76 - LADDER RUNG - W4L07620
1"x3 3/8"x17 1/4" (24x86x437)

4 FT LADDER WITH ATTACHMENT BOARD

STEP 1



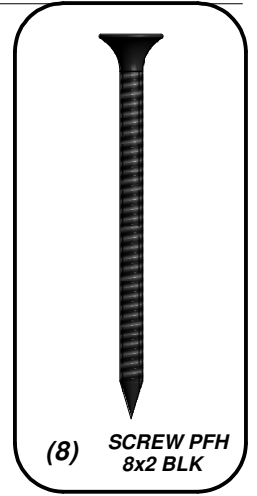
(8) SCREW PFH
8x2 BLK



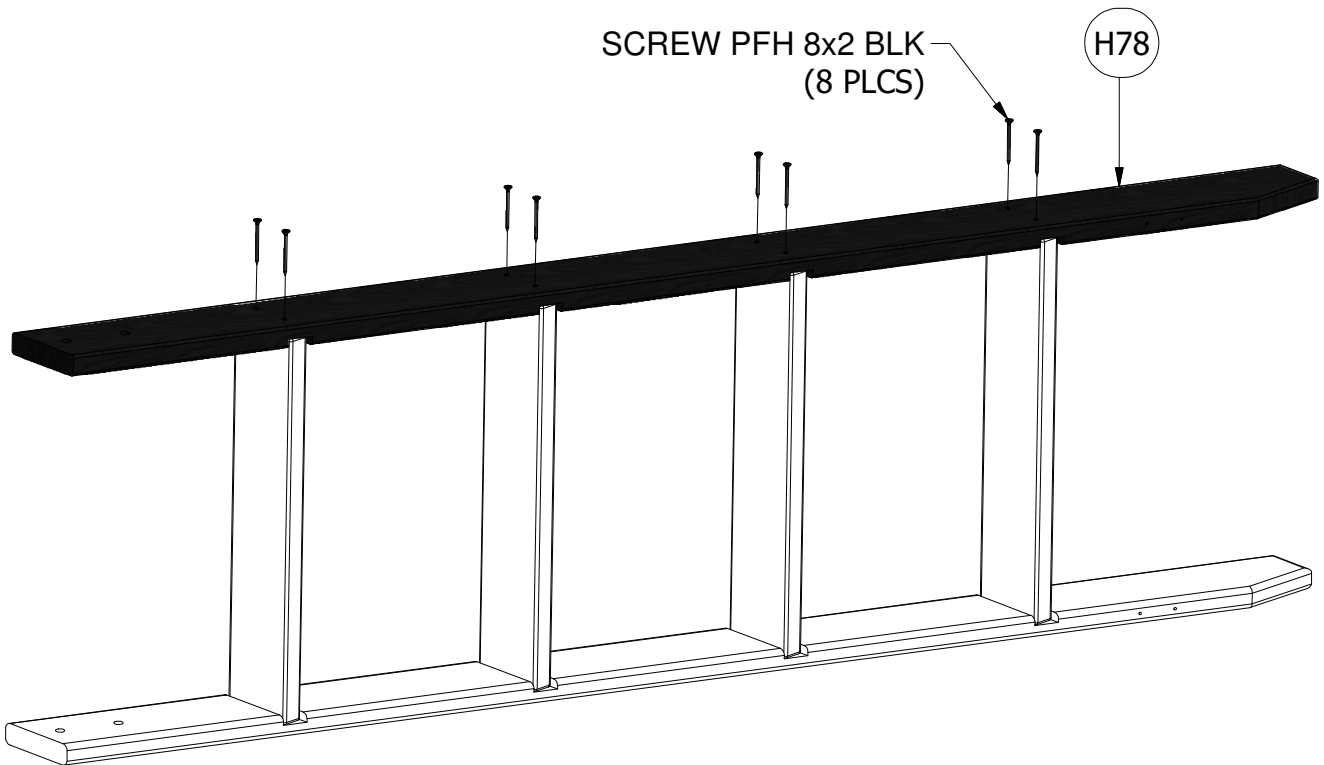


(1) H78 - RIGHT UPRIGHT - W4L11174
1"x3 3/8"x58" (24x86x1474)

STEP 2

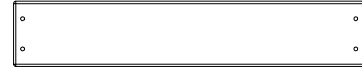


(8) SCREW PFH
8x2 BLK



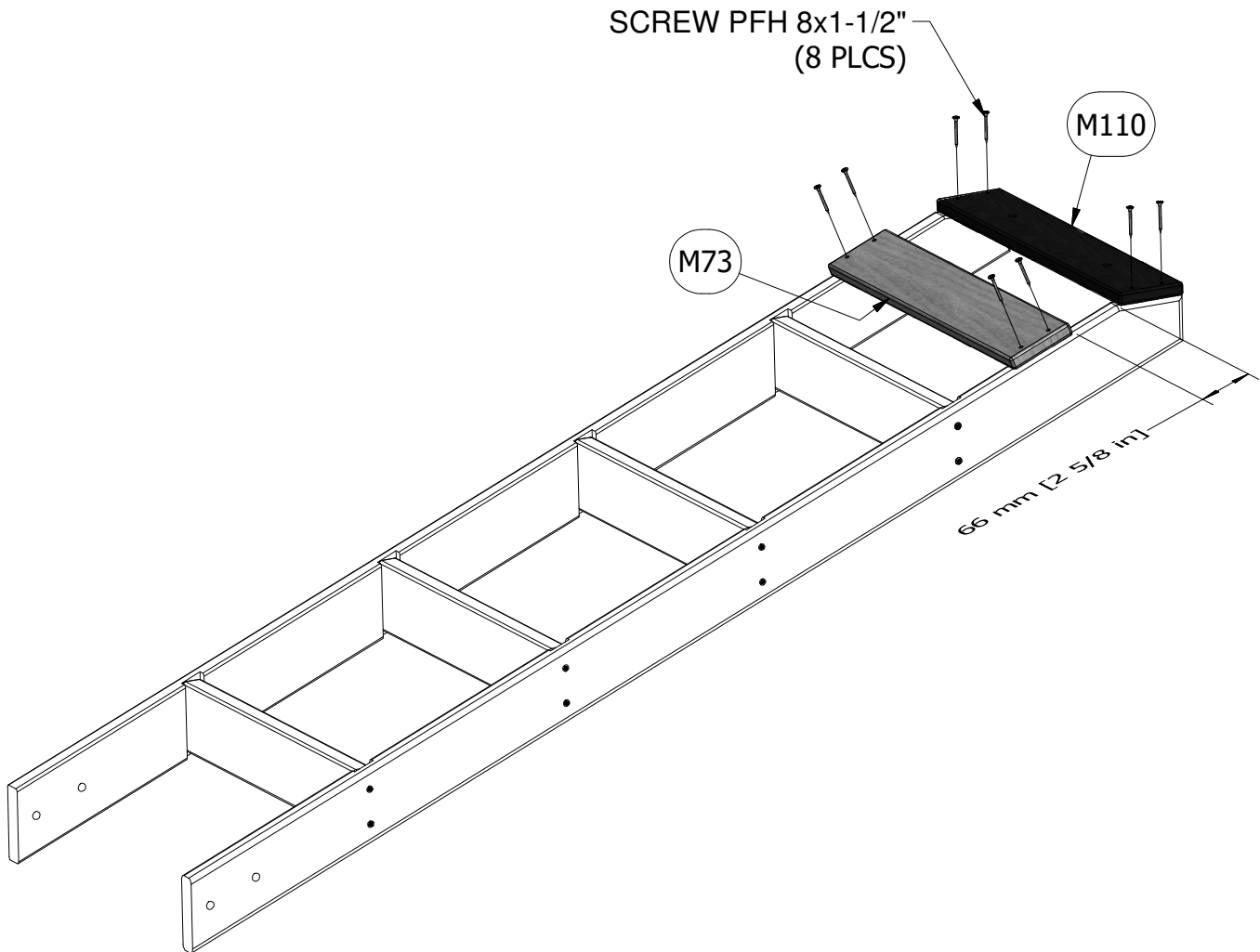
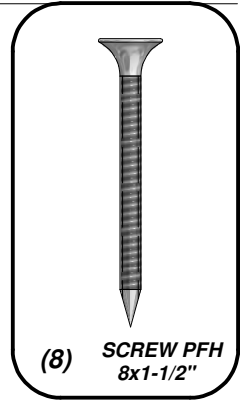


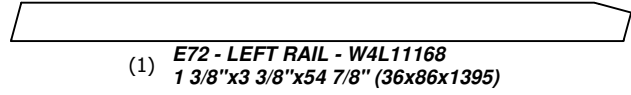
(1) **M110 - ATTACHMENT BOARD - W4L11172**
5/8"x3 3/8"x18 1/4" (16x86x465)



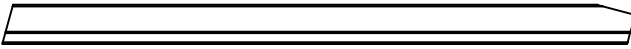
(1) **M73 - REAR SUPPORT - W4L07619**
5/8"x3 3/8"x18 1/4" (16x86x465)

STEP 3

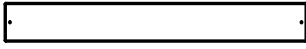




(1) E72 - LEFT RAIL - W4L11168
1 3/8"x3 3/8"x54 7/8" (36x86x1395)



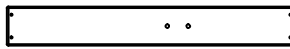
(1) E73 - RIGHT RAIL - W4L11169
1 3/8"x3 3/8"x54 7/8" (36x86x1395)



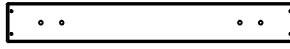
(1) M108 - TOP BOARD - W4L11170
5/8"x3 3/8"x26 1/4" (16x86x667)



(1) M77 - ROCK WALL BOARD - W4L11171
5/8"x3 3/8"x25" (16x86x635)



(4) M75 - ROCK WALL BOARD - W4L07627
5/8"x3 3/8"x25" (16x86x635)

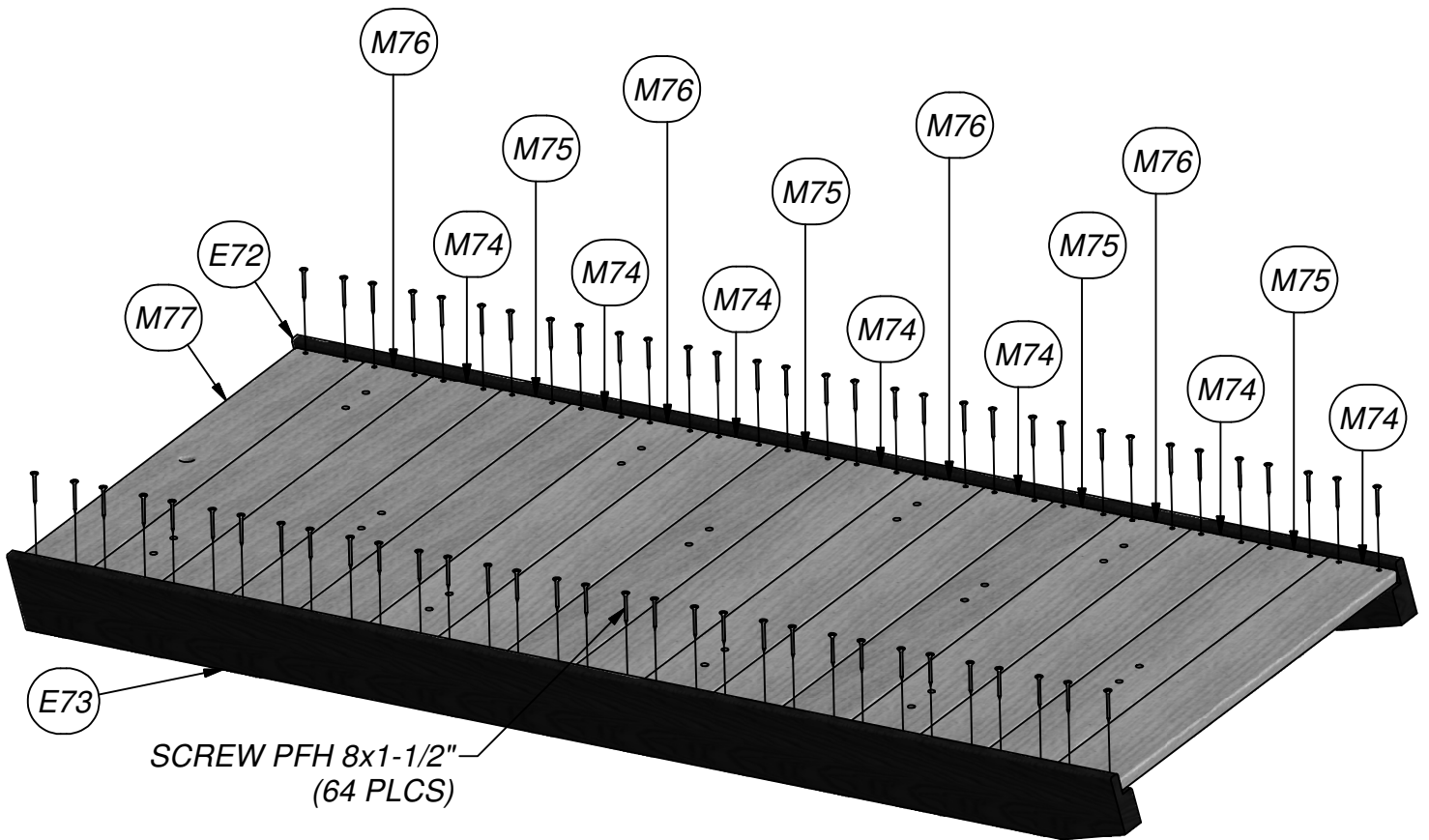
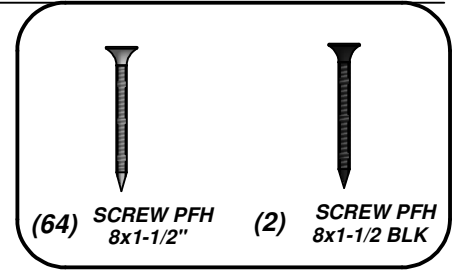


(4) M76 - ROCK WALL BOARD - W4L07626
5/8"x3 3/8"x25" (16x86x635)

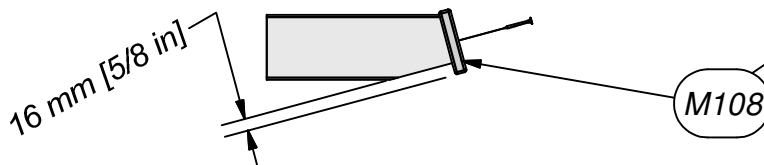
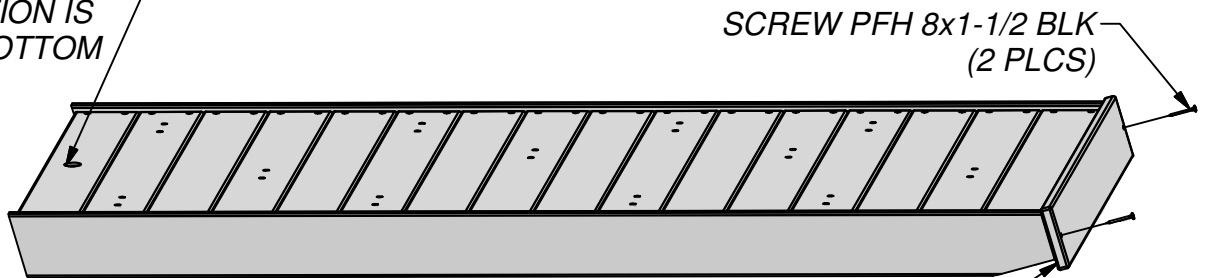


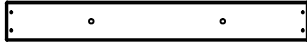
(7) M74 - ROCK WALL BOARD - W4L07624
5/8"x3 3/8"x25" (16x86x635)

ROCKWALL STEP 1



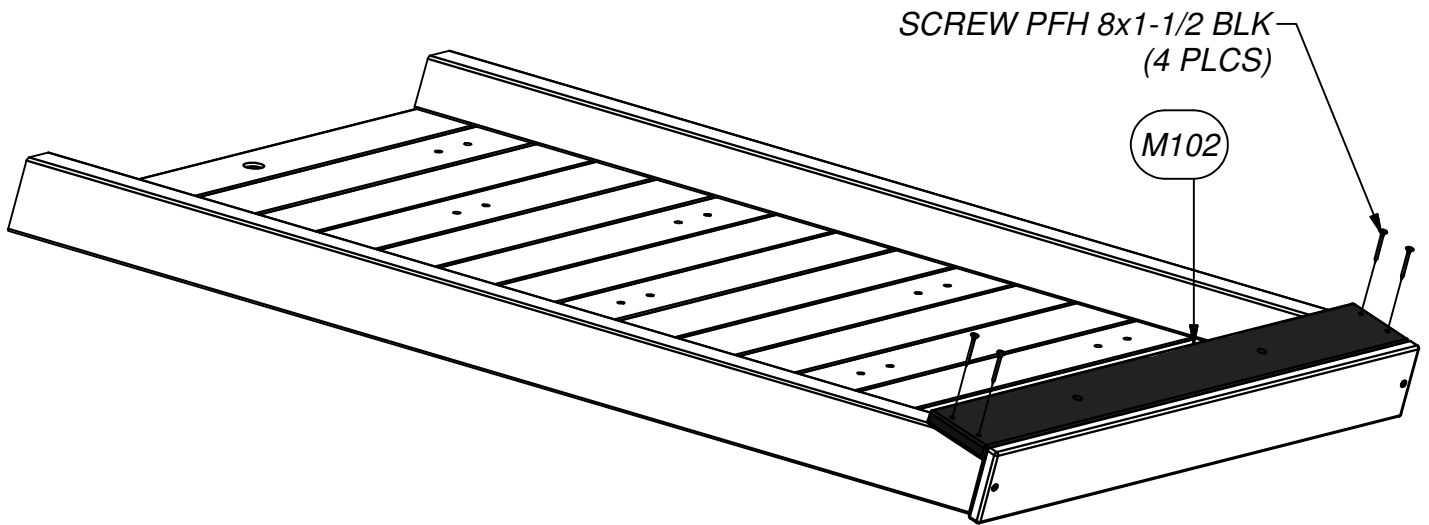
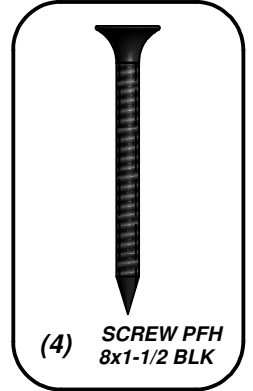
NOTE:
HOLE LOCATION IS
CLOSER TO BOTTOM





- (1) **M102 - ATTACHMENT BOARD - W4L11167**
5/8"x3 3/8"x26 1/4" (16x86x667)

**ROCKWALL
STEP 2**





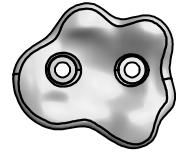
(3) - GREEN HC ROCK #1 - A6P00036



(3) - RED HC ROCK #1 - A6P00038

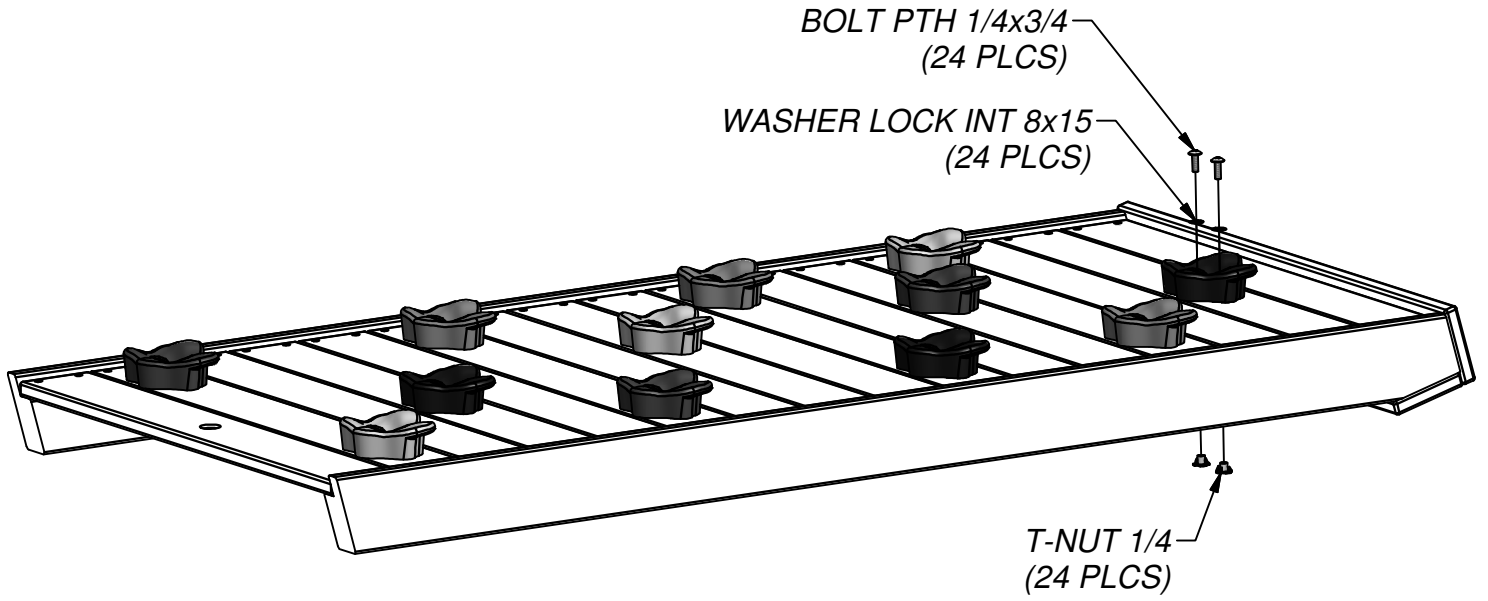
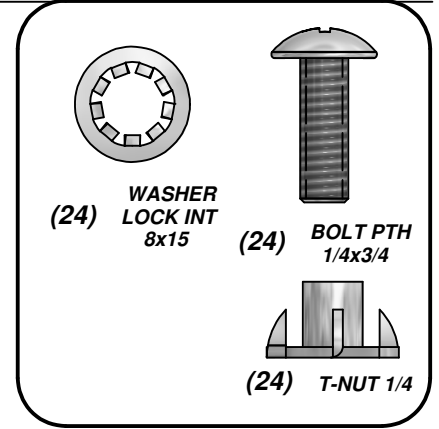


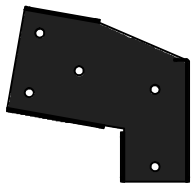
(3) - BLUE HC ROCK #2 - A6P00040



(3) - YELLOW HC ROCK #1 - A6P00042

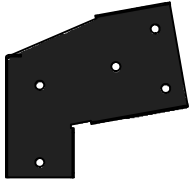
ROCKWALL STEP 3





(1) **A74 - HEAVY DUTY SWING BEAM EXT.WEB SWING - W4L11647**
 3 3/8"x5 1/4"x89 1/2" (86x134x2274)

(1) - **SWING BEAM EXTENSION BRACKET-RIGHT - A4M00618**

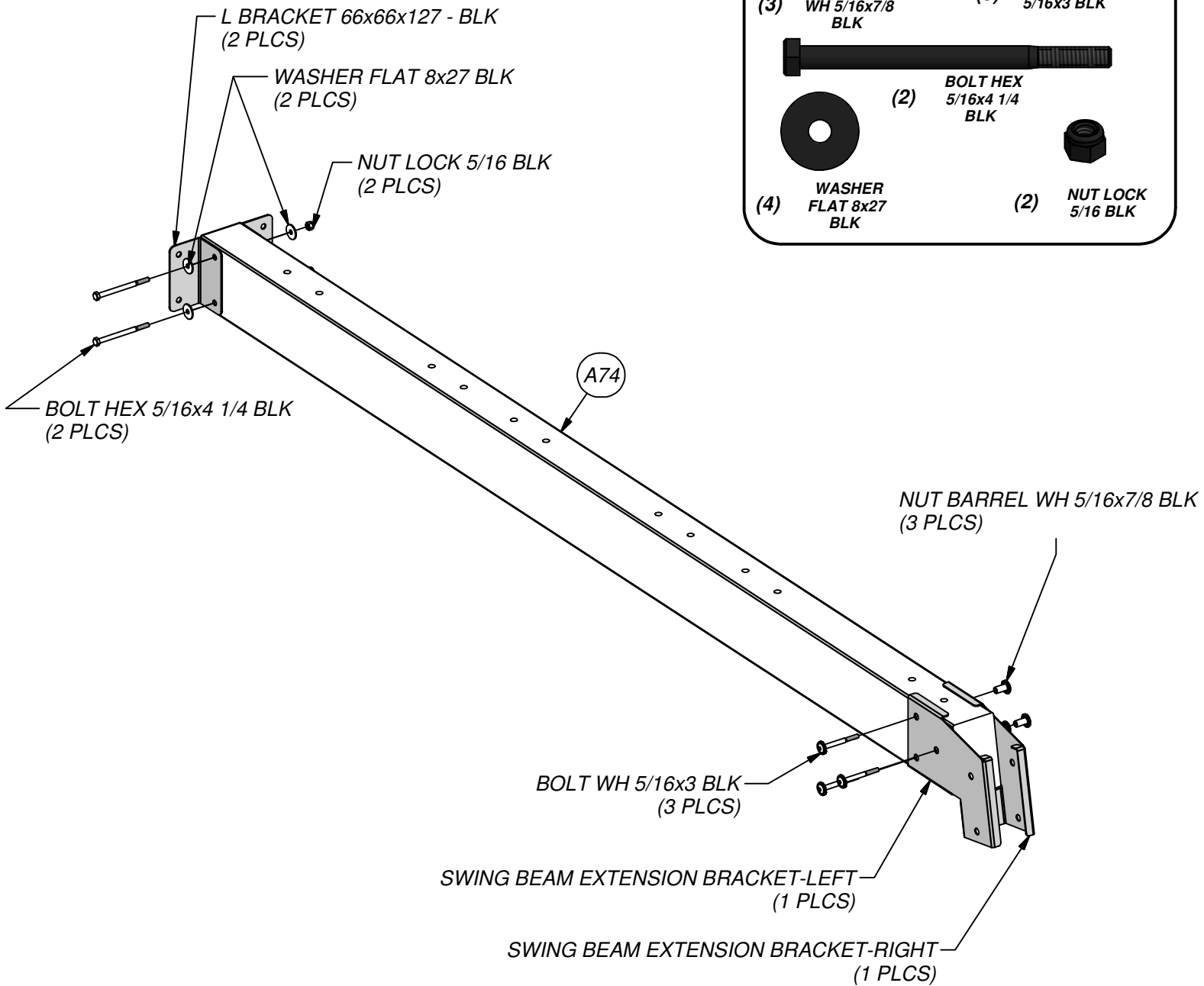


(1) - **SWING BEAM EXTENSION BRACKET-LEFT - A4M00617**

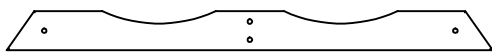


(2) - **L BRACKET 66x66x127 - BLK - A4M00619**

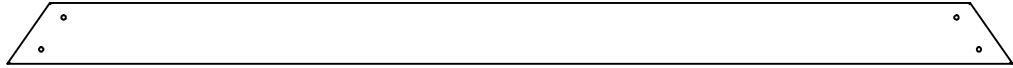
SWING BEAM ASSEMBLY
STEP 1



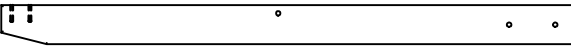
(3) NUT BARREL WH 5/16x7/8 BLK	(3) BOLT WH 5/16x3 BLK
(2) BOLT HEX 5/16x4 1/4 BLK	(4) WASHER FLAT 8x27 BLK
(2) NUT LOCK 5/16 BLK	



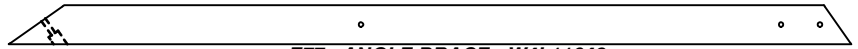
(1) **E79 - END SUPPORT - W4L11650**
1 1/2"x3 1/2"x42" (36x86x1072)



(1) **G80 - GROUND BOARD - W4L11649**
1"x5 1/4"x87 3/8" (24x134x2218)

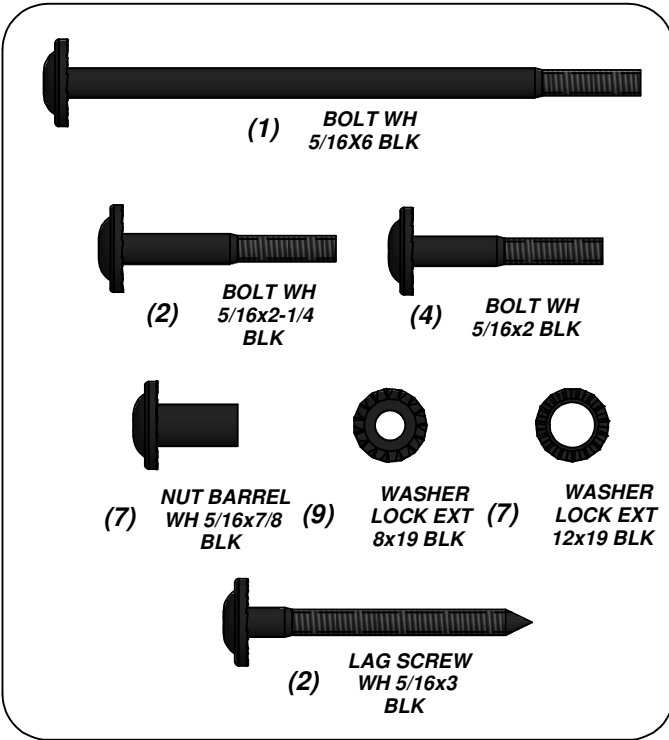
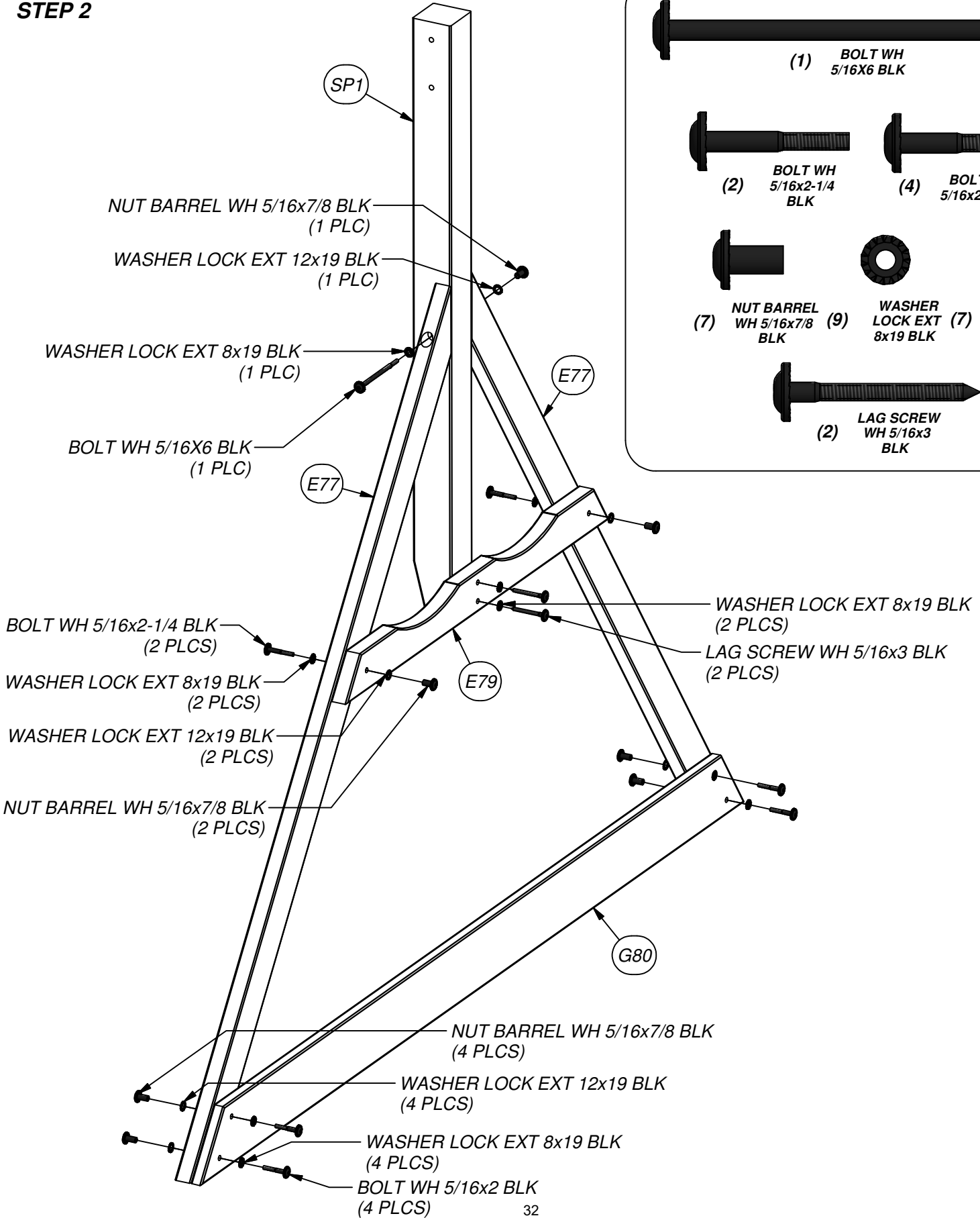


(1) **SP1 - SWING BEAM SUPPORT - W4L11651**
3 3/8"x3 3/8"x49 5/8" (86x86x1260)

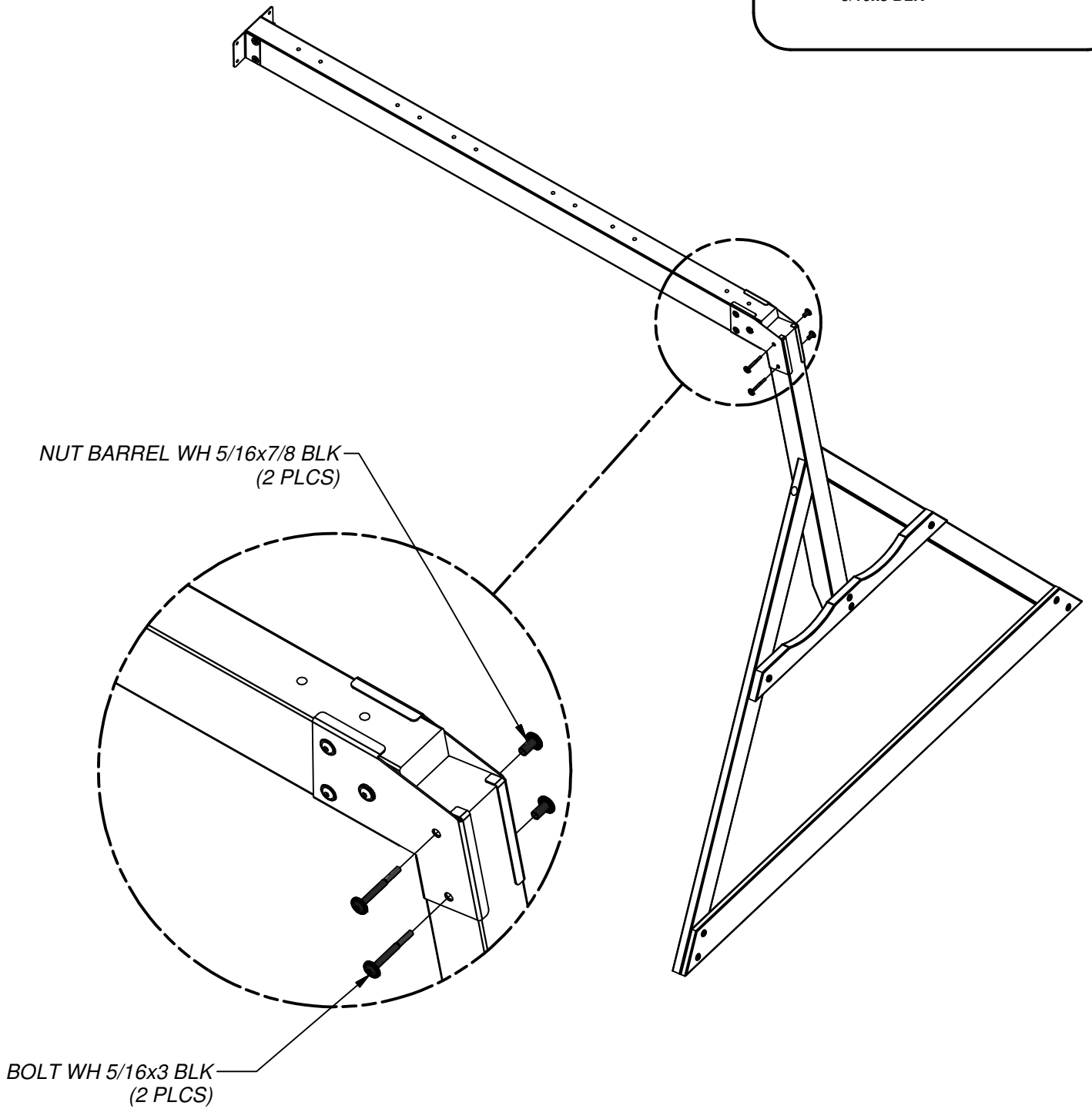
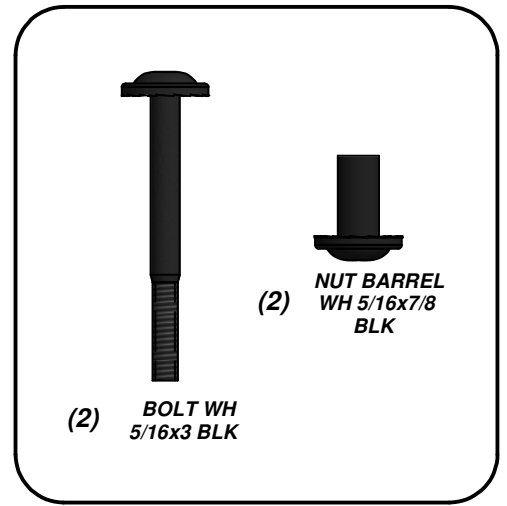


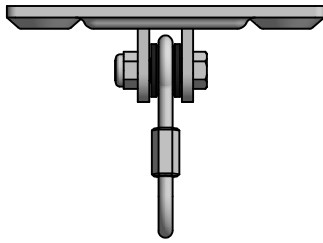
(2) **E77 - ANGLE BRACE - W4L11648**
1 3/8"x3 3/8"x73 1/8" (36x86x1859)

SWING BEAM ASSEMBLY STEP 2



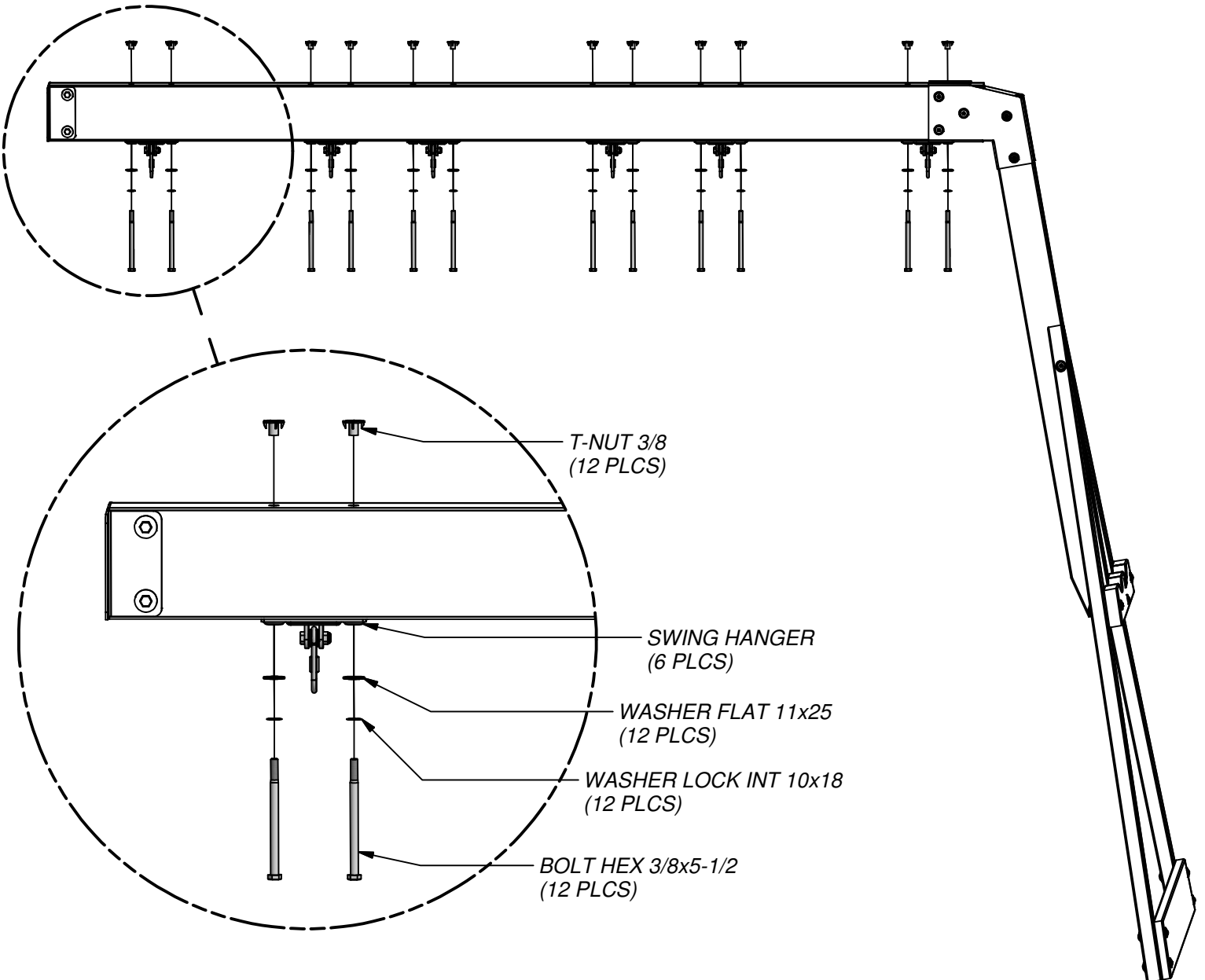
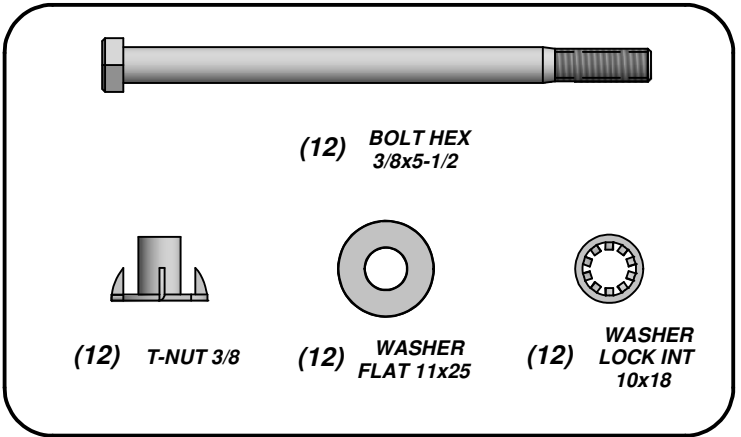
**SWING BEAM ASSEMBLY
STEP 3**





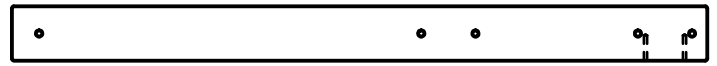
(6) BY - SWING HANGER QUICK LINK - A4M00505-3

**SWING BEAM ASSEMBLY
STEP 4**





(1) **E7 - RIGHT REAR UPRIGHT - W4L11134**
1 3/8"x3 3/8"x43 1/2" (36x86x1104)



(1) **E9 - RIGHT FRONT UPRIGHT - W4L11136**
1 3/8"x3 3/8"x43 1/2" (36x86x1104)



(1) **K12 - ARCHED WALL RAIL - W4L11143**
5/8"x5 1/4"x40 5/8" (16x134x1032)

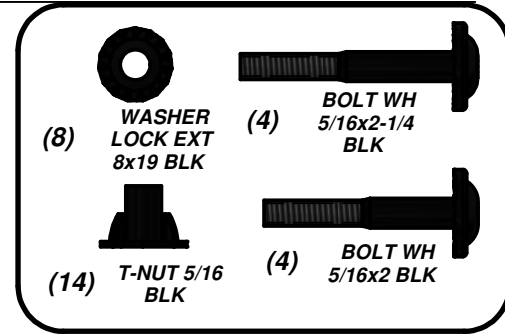


(1) **G1 - SWING BEAM MOUNT - W4L11137**
1"x5 1/4"x62 1/8" (24x134x1577)

STEP 1



NOTE: PAY CLOSE ATTN TO ALL BOARD FEATURES & HOLES FOR CORRECT PLACEMENT & ORIENTATION ON ALL STEPS.



BOLT WH 5/16x2-1/4 BLK
(4 PLCS)

WASHER LOCK EXT 8x19 BLK
(4 PLCS)

NOTE HOLE LOCATIONS

T-NUT 5/16 BLK
(14 PLCS)



(8) WASHER LOCK EXT 8x19 BLK



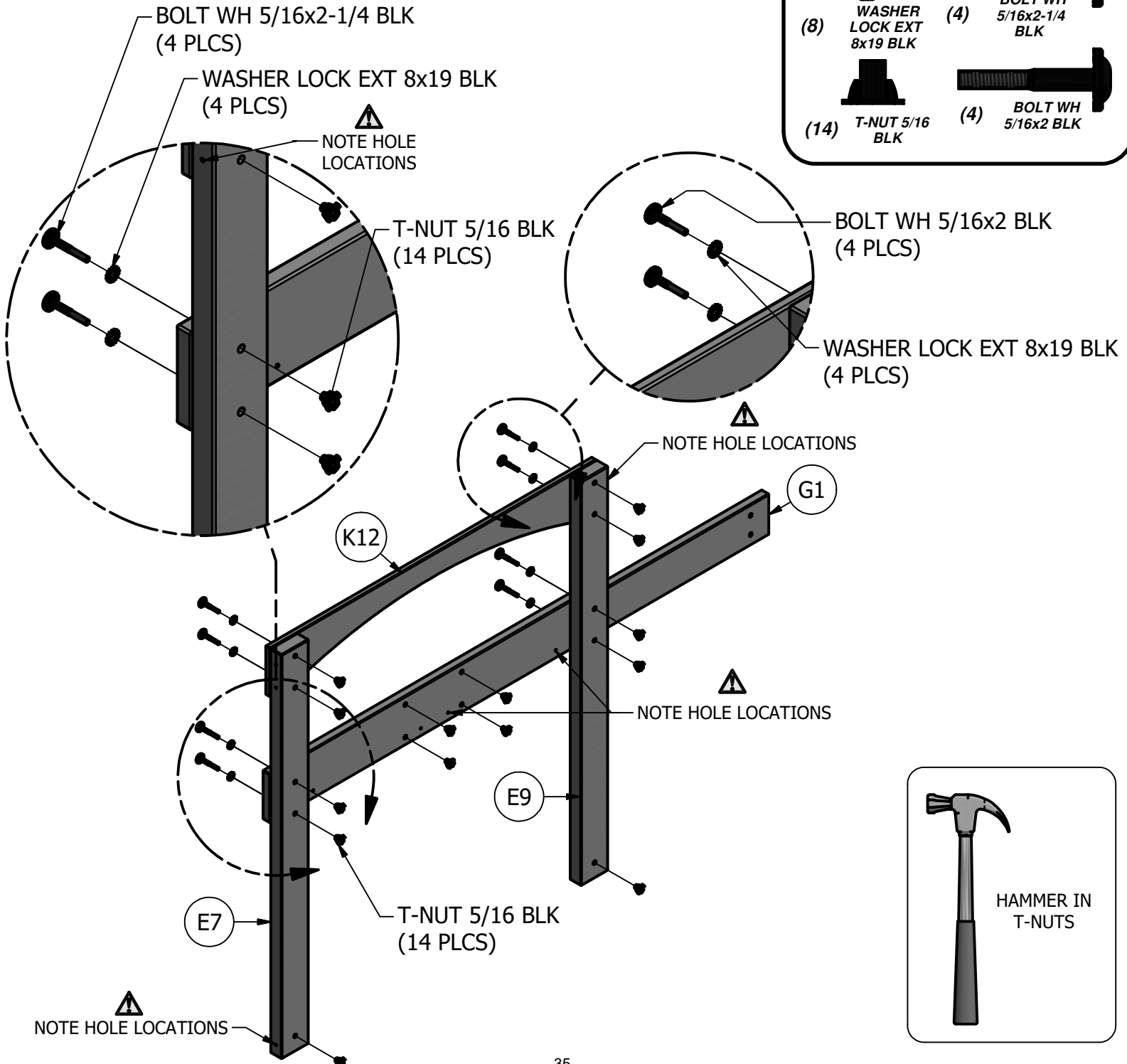
(4) BOLT WH 5/16x2-1/4 BLK



(14) T-NUT 5/16 BLK



(4) BOLT WH 5/16x2 BLK



BOLT WH 5/16x2 BLK
(4 PLCS)

WASHER LOCK EXT 8x19 BLK
(4 PLCS)

NOTE HOLE LOCATIONS

G1

K12

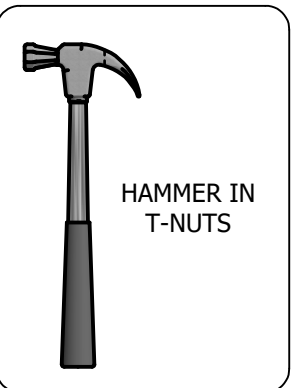
NOTE HOLE LOCATIONS

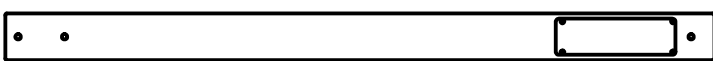
E9

E7

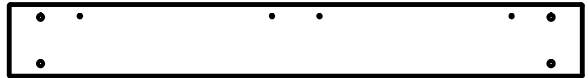
T-NUT 5/16 BLK
(14 PLCS)

NOTE HOLE LOCATIONS

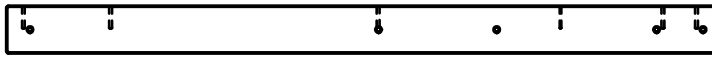




(1) E1 - RIGHT REAR UPRIGHT - W2A02496
1 3/8"x3 3/8"x51 3/4" (36x86x1314)



(1) K1 - GROUND BOARD - W4L11113
5/8"x5 1/4"x41 7/8" (16x134x1064)



(1) E4 - RIGHT FRONT UPRIGHT - W4L11119
1 3/8"x3 3/8"x51 3/4" (36x86x1314)

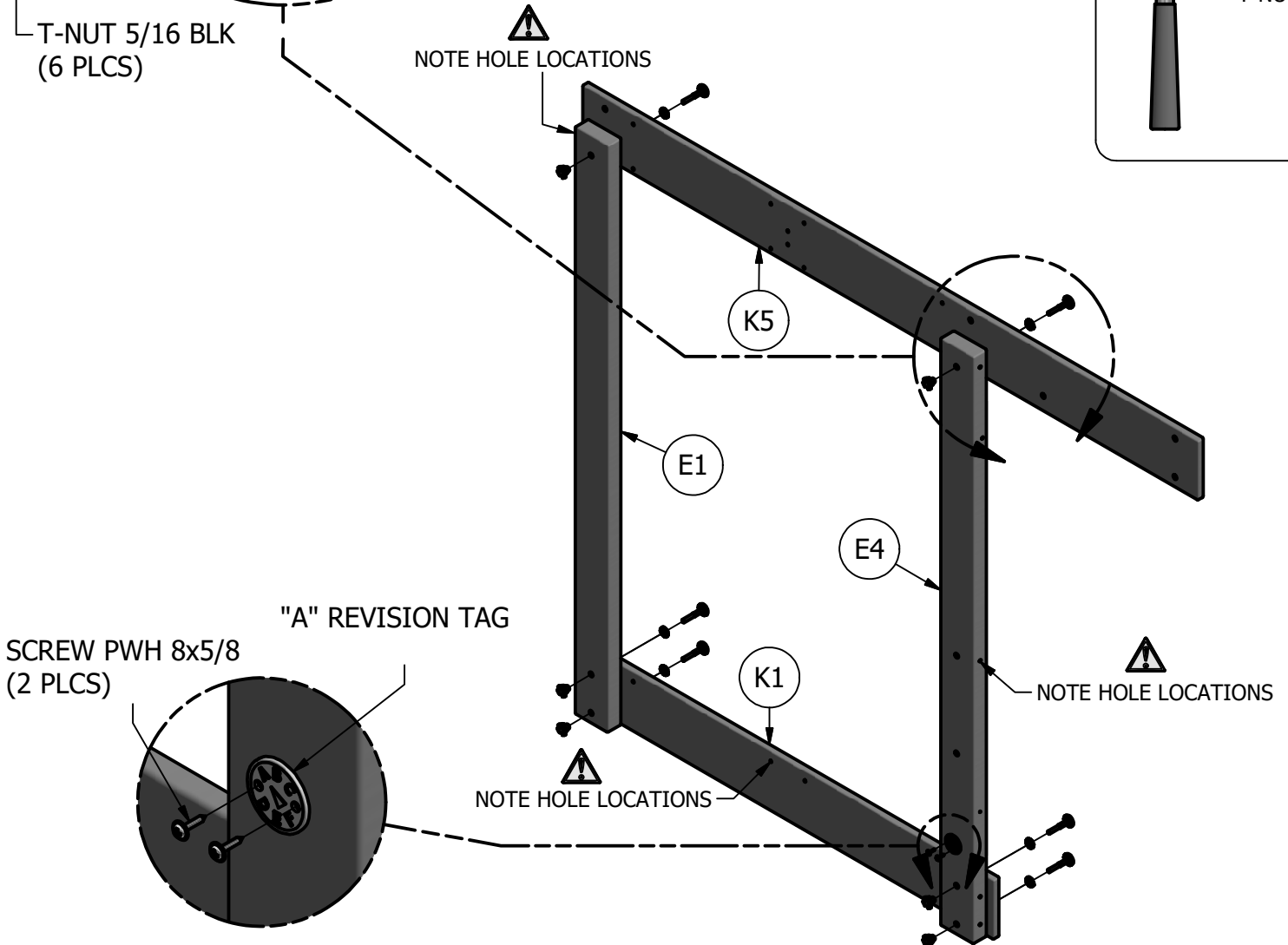
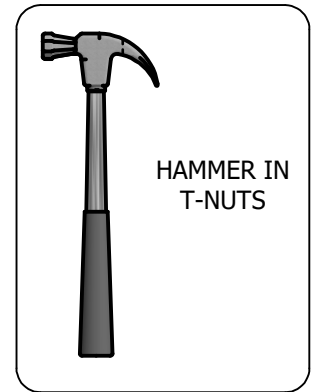
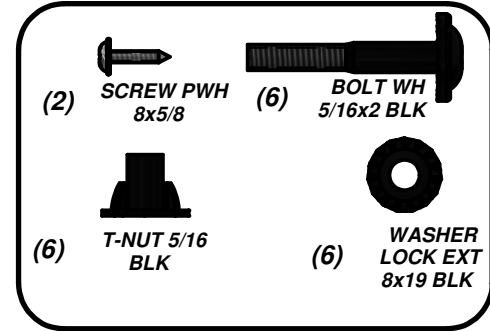
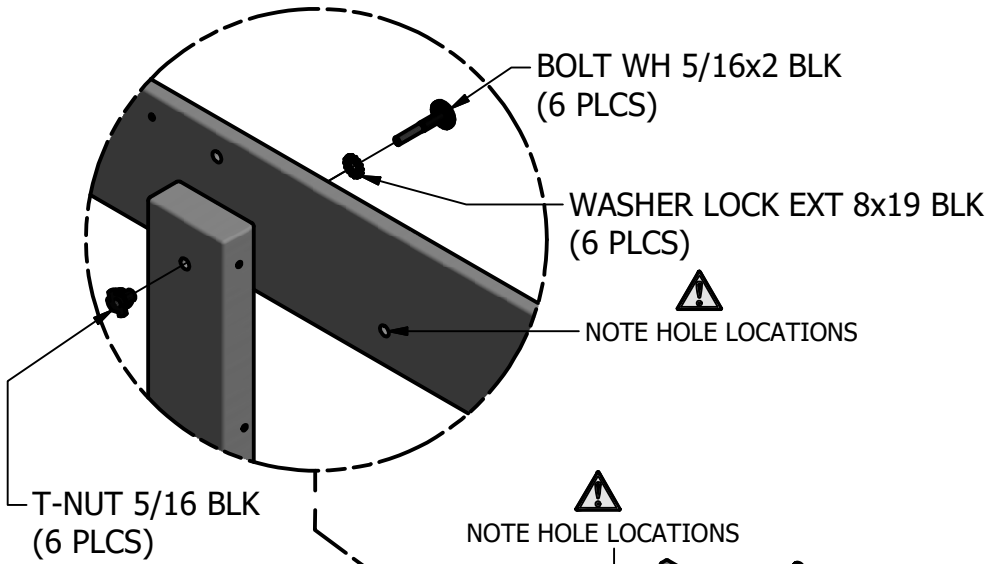


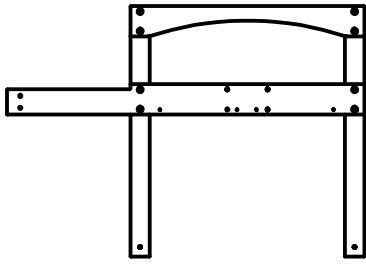
(1) K5 - RIGHT CENTER WALL RAIL - W4L11120
5/8"x5 1/4"x62 3/4" (16x134x1593)



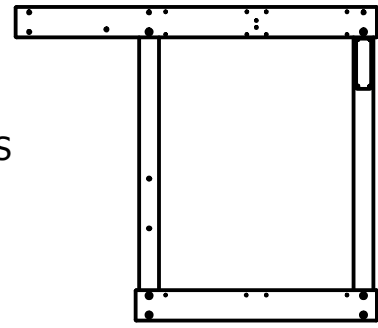
(1) - "A" REVISION TAG - A100314

STEP 2



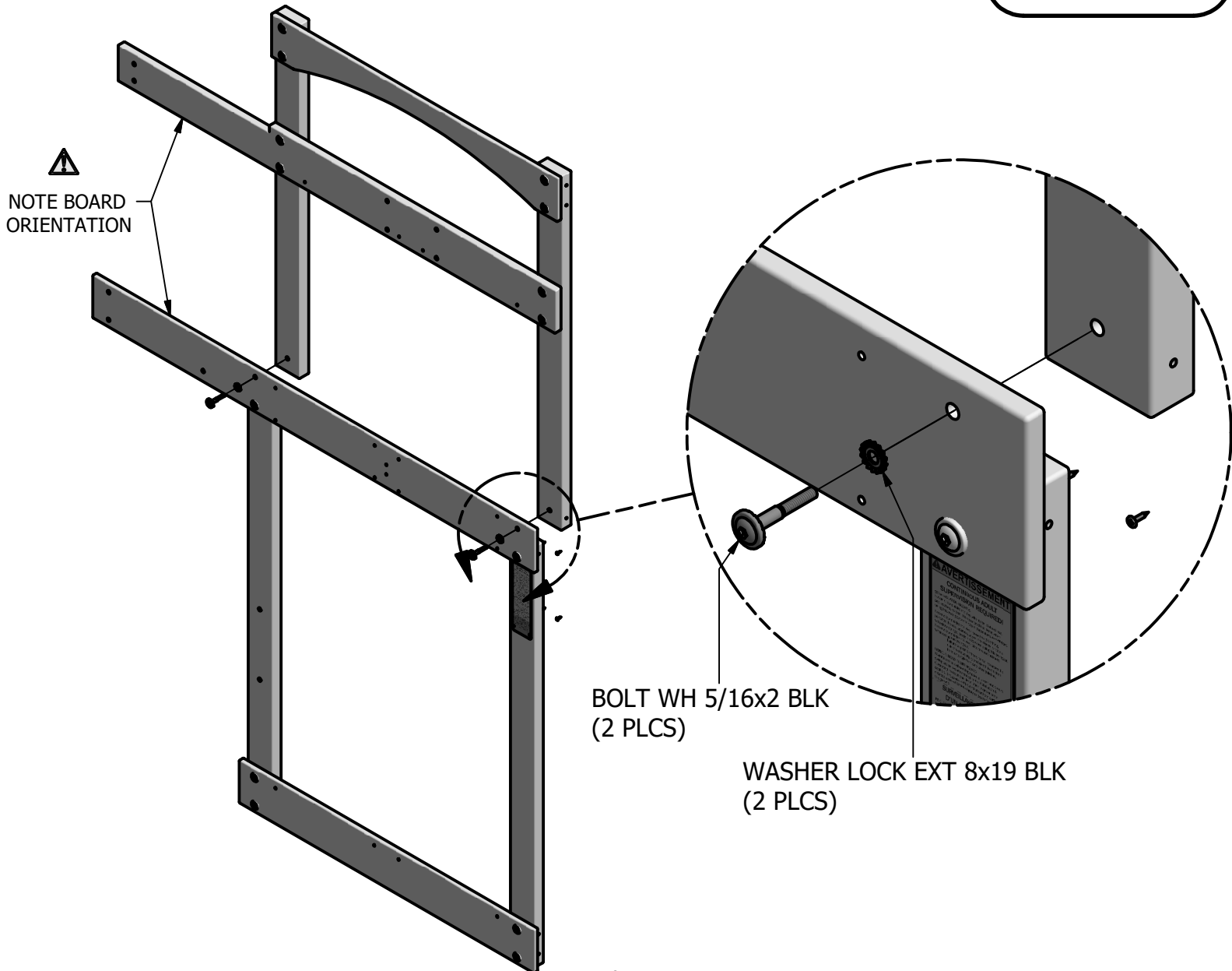
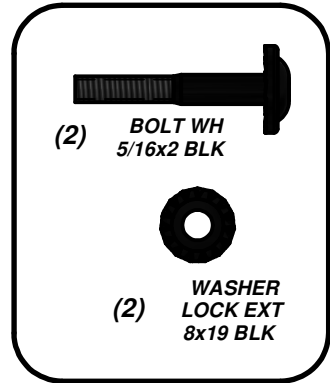


PRE-ASSEMBLED PARTS
FROM STEPS 1 & 2



STEP 3

•ASSEMBLE THE TOP AND BOTTOM OF THE RIGHT UPRIGHT.

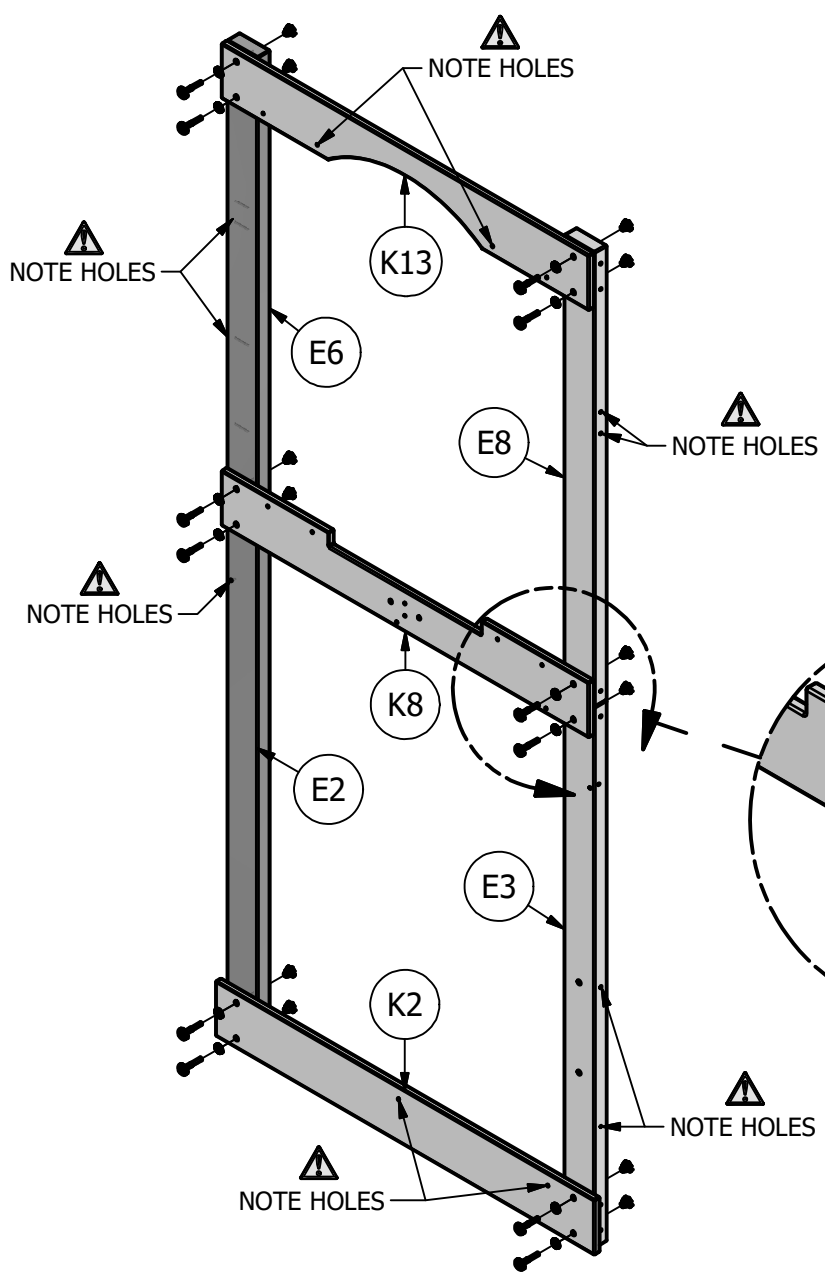



- (1) **E2 - LEFT REAR UPRIGHT - W4L11117**
1 3/8"x3 3/8"x51 3/4" (36x86x1314)
- (1) **E3 - LEFT FRONT UPRIGHT - W4L11118**
1 3/8"x3 3/8"x51 3/4" (36x86x1314)
- (1) **E6 - LEFT REAR UPRIGHT - W4L11133**
1 3/8"x3 3/8"x43 1/2" (36x86x1104)
- (1) **E8 - LEFT FRONT UPRIGHT - W4L11135**
1 3/8"x3 3/8"x43 1/2" (36x86x1104)

- (1) **K2 - GROUND BOARD - W4L11114**
5/8"x5 1/4"x41 7/8" (16x134x1064)
- (1) **K8 - LEFT CENTER WALL RAIL - W4L11123**
5/8"x5 1/4"x40 5/8" (16x134x1032)
- (1) **K13 - ARCHED WALL RAIL - W4L11144**
5/8"x5 1/4"x40 5/8" (16x134x1032)


STEP 4

ASSEMBLE LEFT UPRIGHT






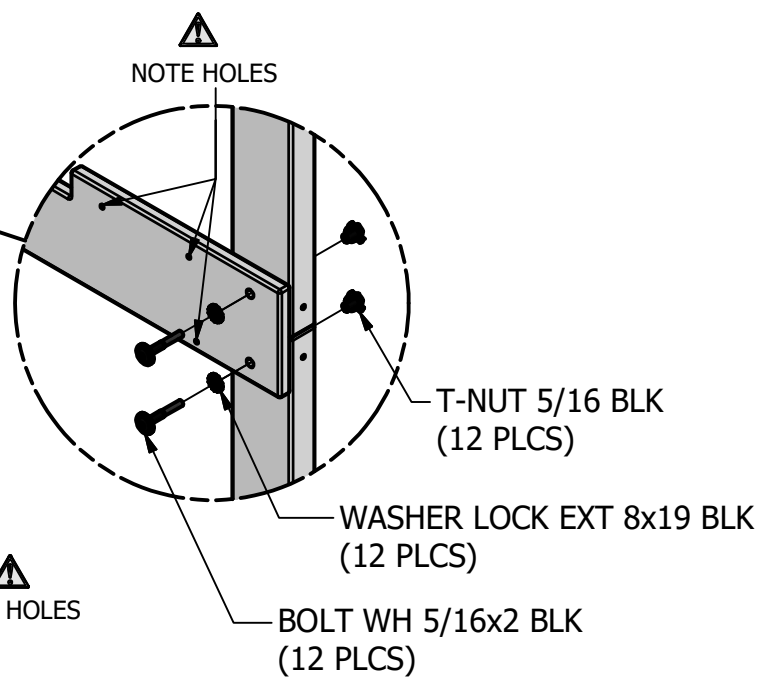
(12) **BOLT WH**
5/16x2 BLK

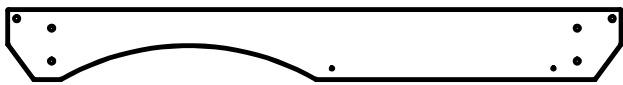


(12) **T-NUT 5/16**
BLK

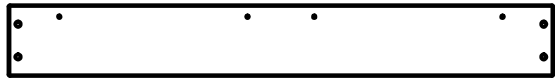


(12) **WASHER**
LOCK EXT
8x19 BLK





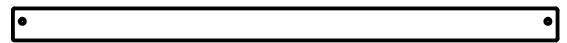
(1) **K15 - ANGLED WALL RAIL - W4L11146**
5/8"x5 1/4"x45 3/4" (16x134x1162)



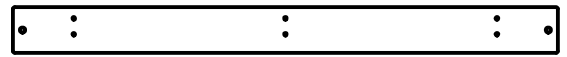
(1) **K4 - GROUND BOARD - W4L11116**
5/8"x5 1/4"x40 1/2" (16x134x1030)



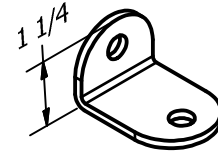
(1) **K6 - FRONT CENTER WALL RAIL - W4L11121**
5/8"x5 1/4"x61 3/8" (16x134x1560)



(1) **J1 - PORCH GROUND BOARD - W4L11128**
1"x2 3/8"x40 1/2" (24x60x1030)



(1) **M1 - WALL RAIL - W4L11154**
5/8"x3 3/8"x40 1/2" (16x86x1030)

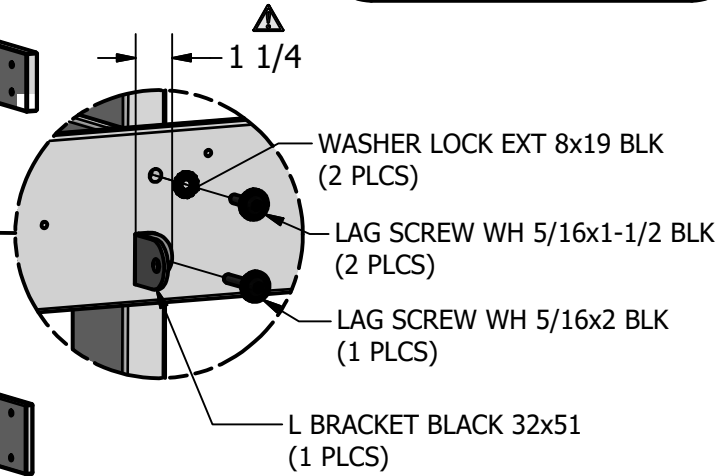
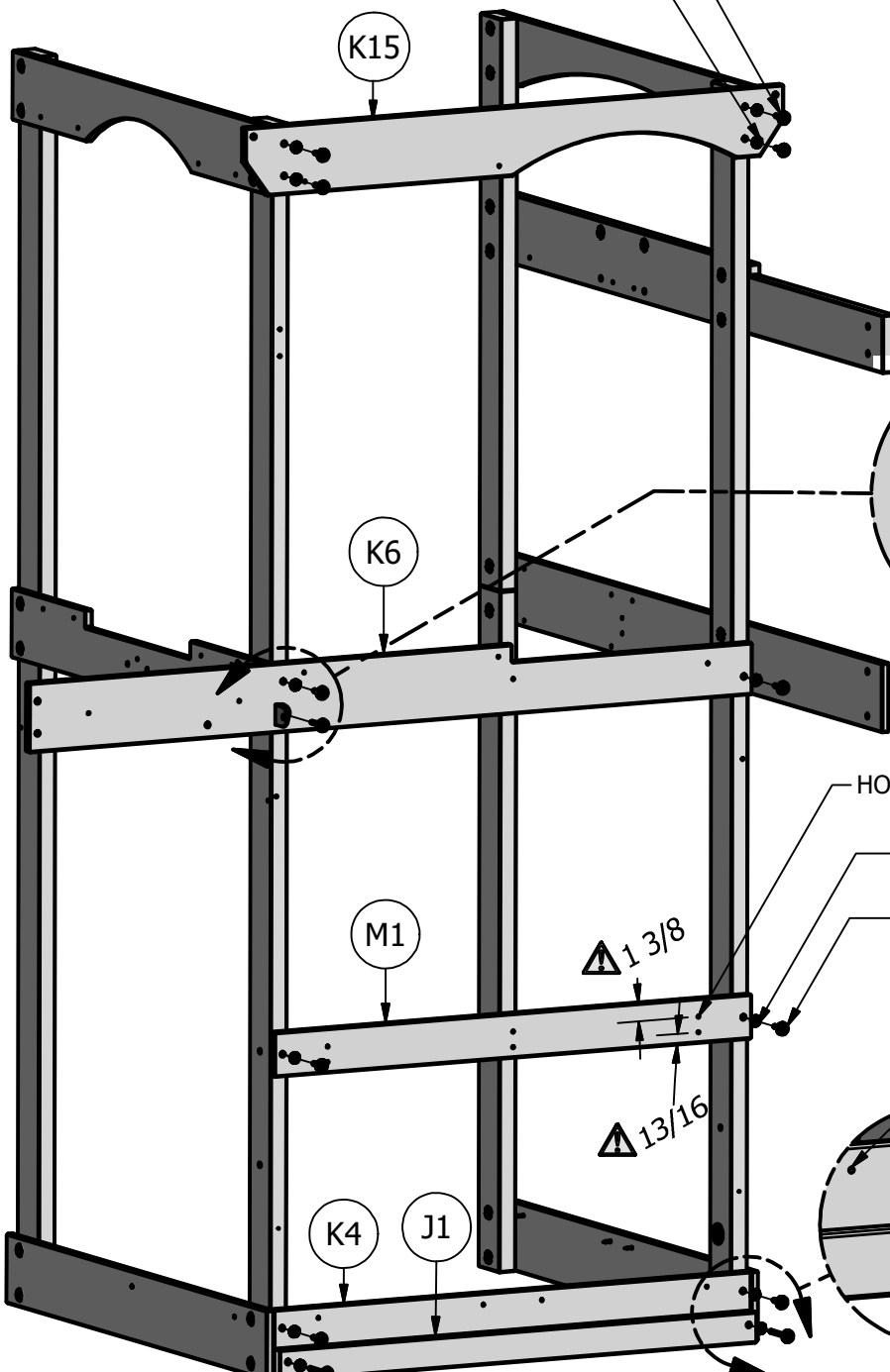
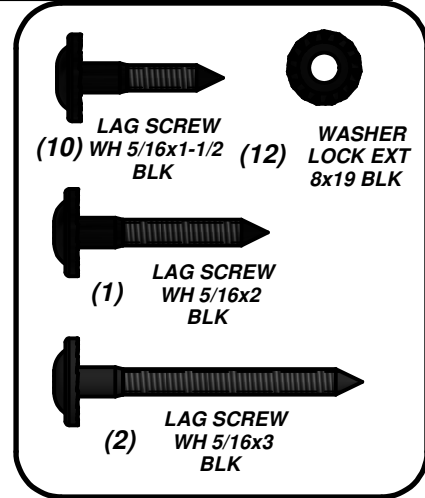


(1) **- L BRACKET BLACK 32x51 - A4M00710**

STEP 5

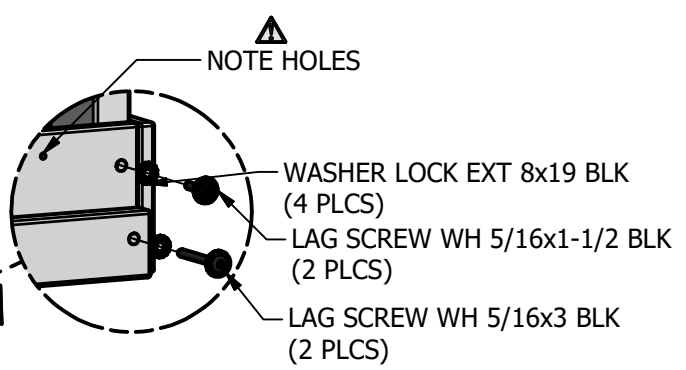
LAG SCREW WH 5/16x1-1/2 BLK (4 PLCS)

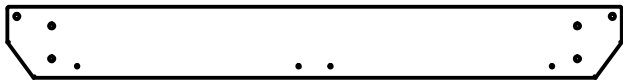
WASHER LOCK EXT 8x19 BLK (4 PLCS)



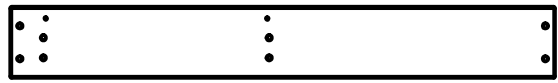
HOLES LOCATED TOWARD BOTTOM OF BOARD

WASHER LOCK EXT 8x19 BLK (2 PLCS)
LAG SCREW WH 5/16x1-1/2 BLK (2 PLCS)

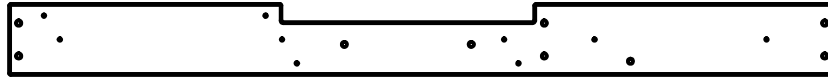




(1) **K14 - ANGLED WALL RAIL - W4L11145**
5/8"x5 1/4"x45 3/4" (16x134x1162)

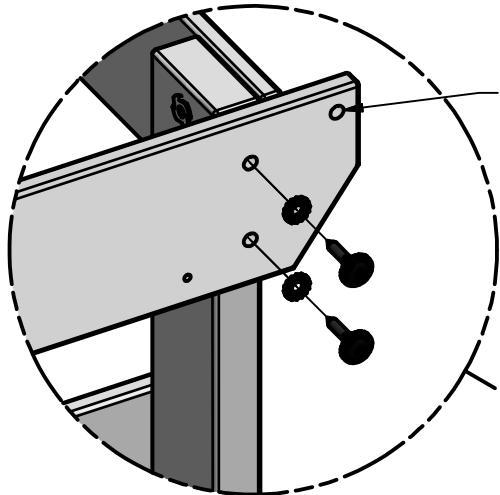


(1) **K3 - GROUND BOARD - W4L11115**
5/8"x5 1/4"x40 1/2" (16x134x1030)

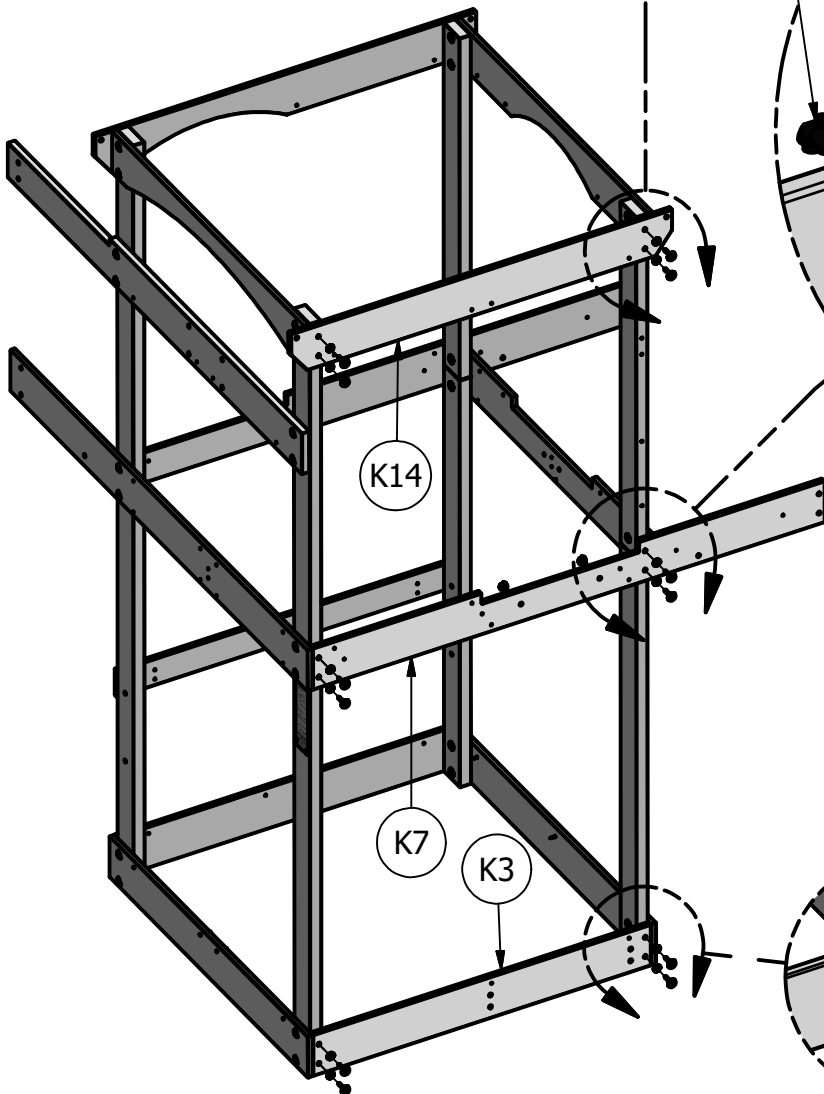
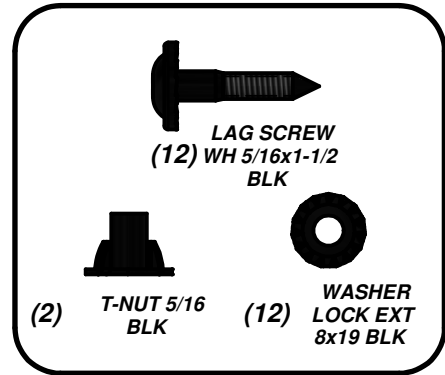


(1) **K7 - REAR CENTER WALL RAIL - W4L11122**
5/8"x5 1/4"x61 3/8" (16x134x1560)

STEP 6



NOTE HOLES

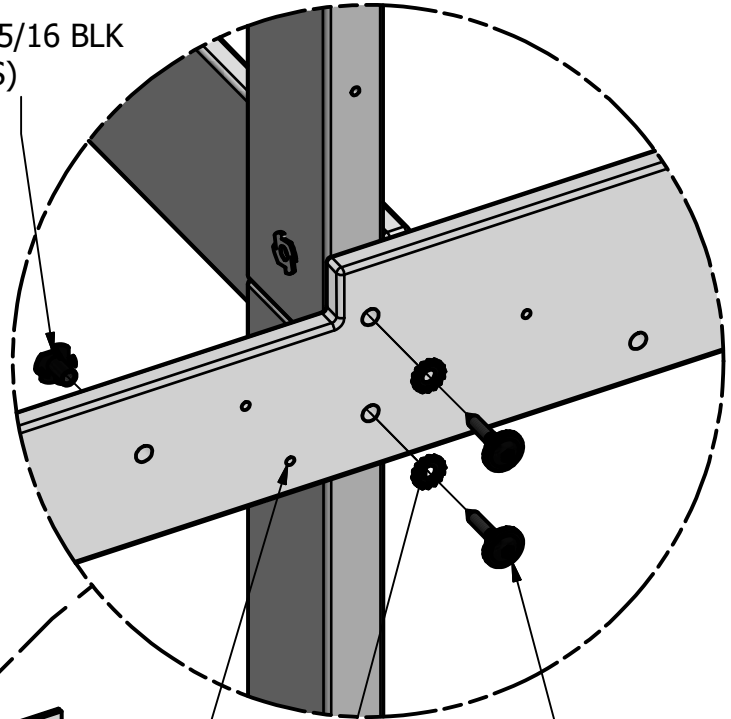


K14

K7

K3

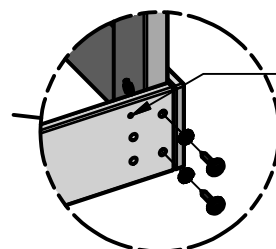
T-NUT 5/16 BLK
(2 PLCS)



NOTE HOLES

WASHER LOCK EXT 8x19 BLK
(12 PLCS)

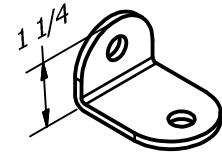
LAG SCREW WH 5/16x1-1/2 BLK
(12 PLCS)



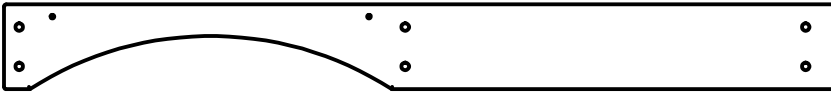
NOTE HOLES



(1) L2 - WALL RAIL - W4L11139
5/8"x4 3/8"x23 1/4" (16x112x590)



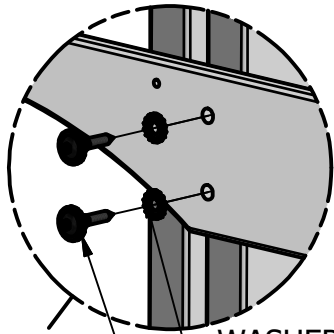
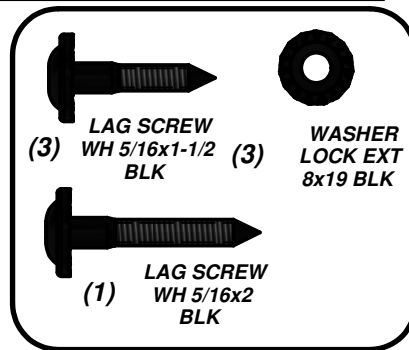
(1) - L BRACKET BLACK 32x51 - A4M00710



(1) L4 - ARCHED WALL RAIL - W4L11141
5/8"x4 3/8"x43 3/8" (16x112x1103)

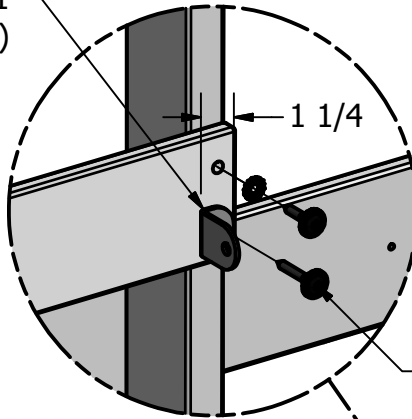
STEP 7

L BRACKET BLACK 32x51
(1 PLC)

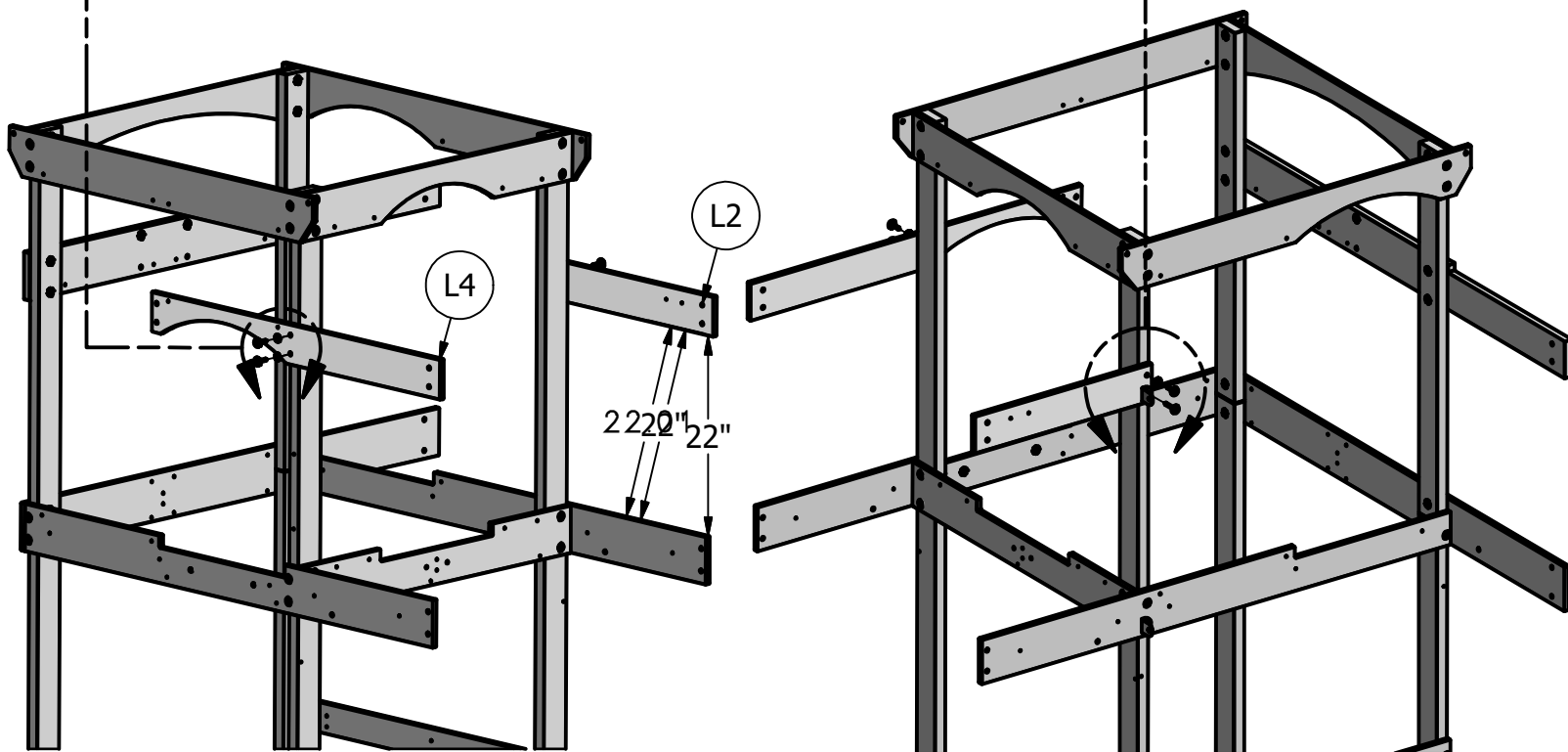


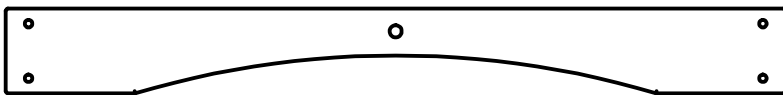
WASHER LOCK EXT 8x19 BLK
(3 PLCS)

LAG SCREW WH 5/16x1-1/2 BLK
(3 PLCS)



LAG SCREW WH 5/16x2 BLK
(1 PLC)

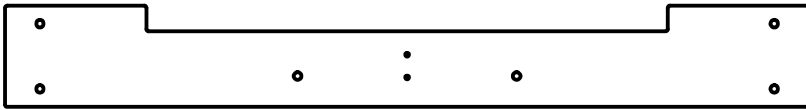




(1) **Q1 - ARCHED WALL RAIL - W4L11142**
1"x4 3/8"x40 5/8" (24x112x1032)



(1) **F1 - RIGHT BALCONY UPRIGHT - W4L11130**
1 3/8"x2 3/8"x31 3/4" (36x60x805)

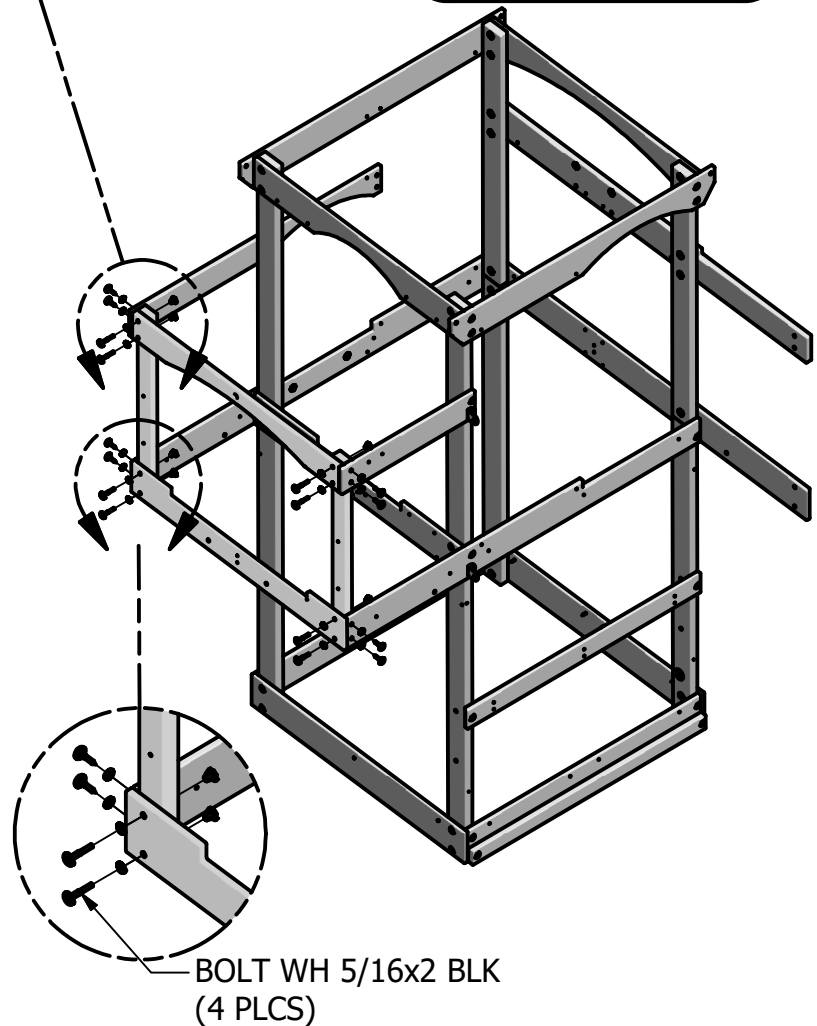
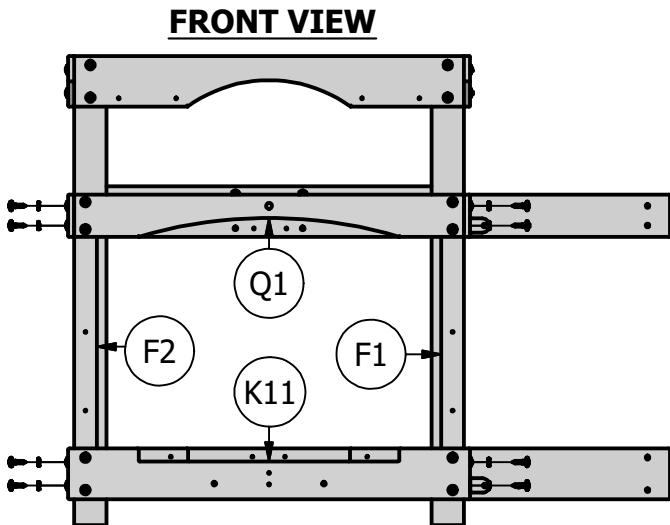
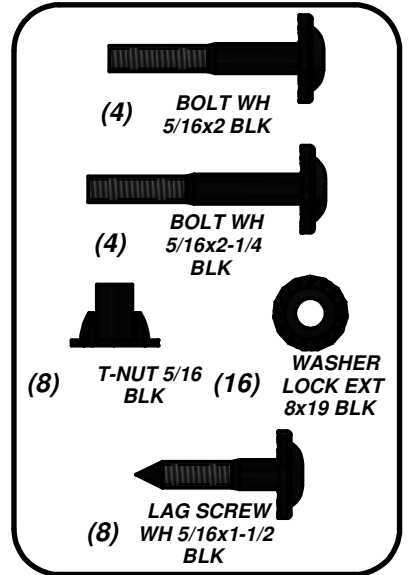
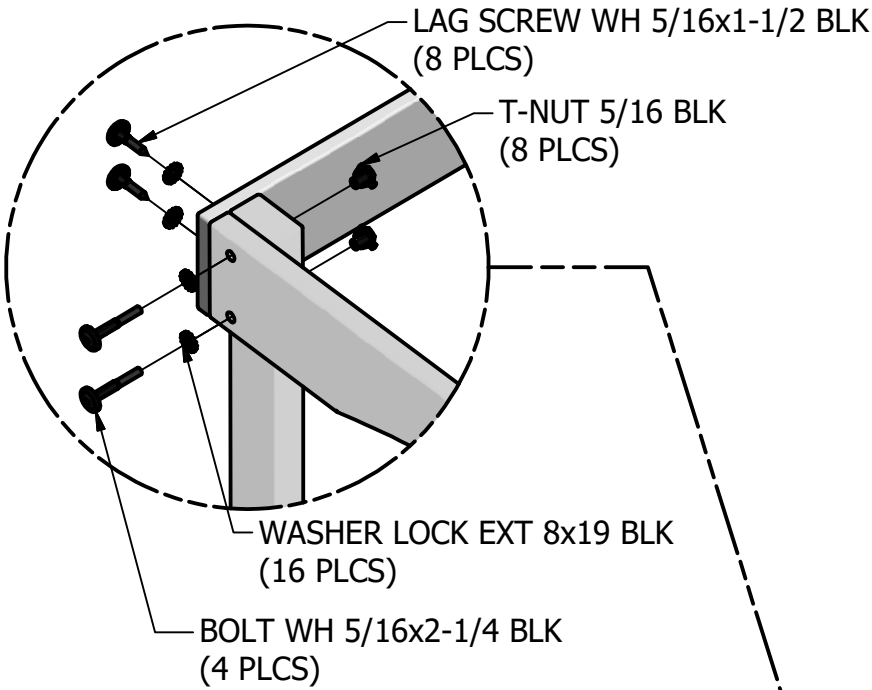


(1) **K11 - LEFT SIDE WALL BOARD - W4L11132**
5/8"x5 1/4"x41 7/8" (16x134x1064)



(1) **F2 - LEFT BALCONY UPRIGHT - W4L11131**
1 3/8"x2 3/8"x31 3/4" (36x60x805)

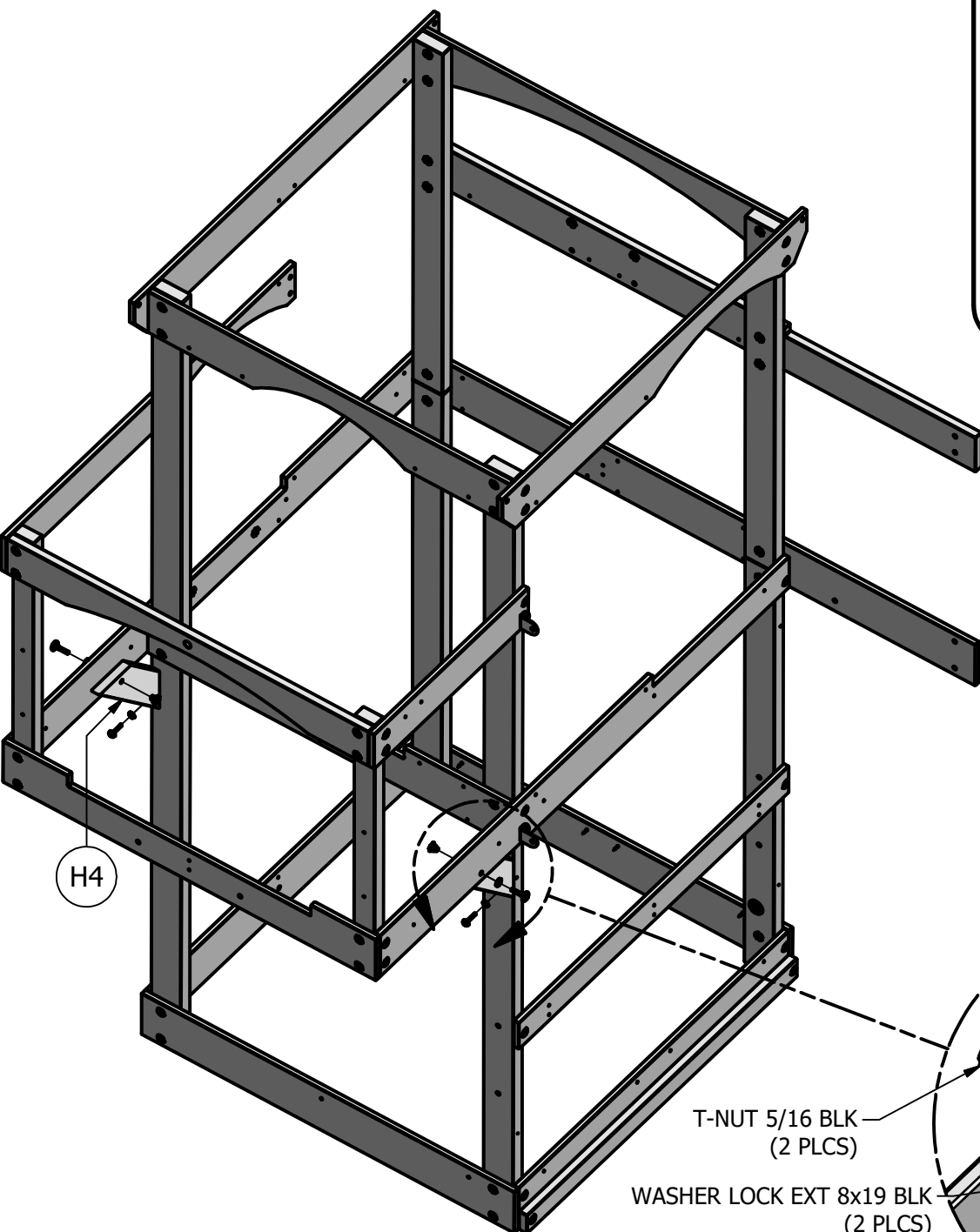
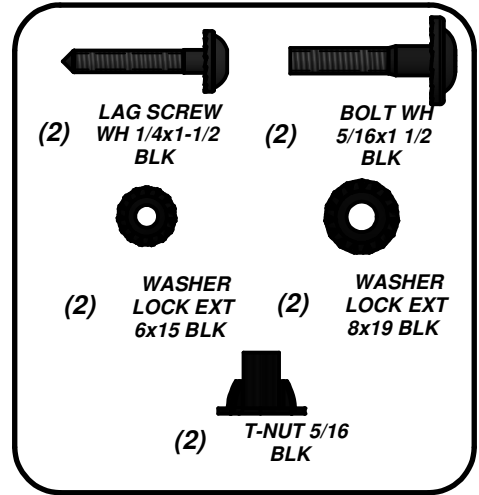
STEP 8





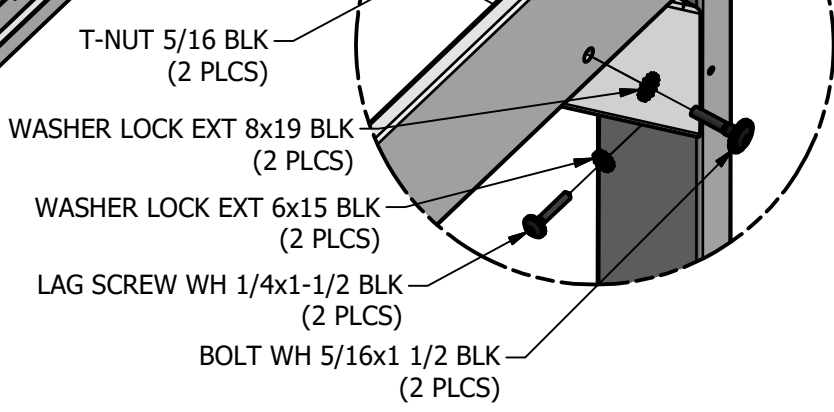
(2) **H4 - DECK BRACE - W4L11156**
1"x3 3/8"x12 3/4" (24x86x325)

STEP 9



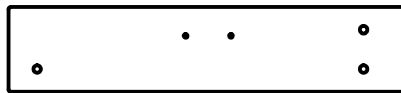
H4

H4





(1) **K9 - LEFT BALCONY WALL RAIL - W4L11124**
5/8"x5 1/4"x20 3/4" (16x134x528)

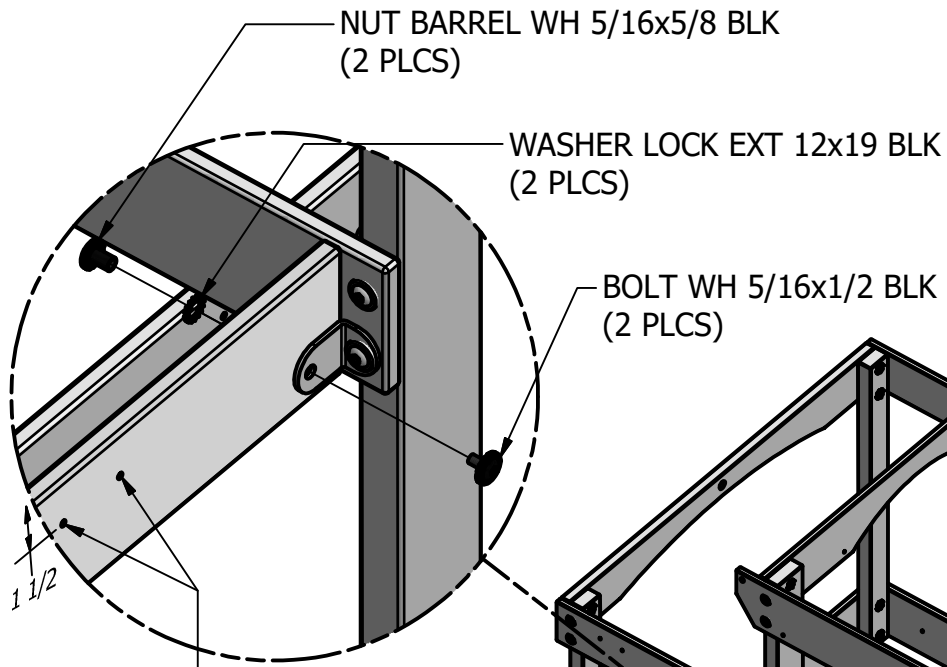


(1) **L3 - WALL RAIL - W4L11140**
5/8"x4 3/8"x20 7/8" (16x112x529)



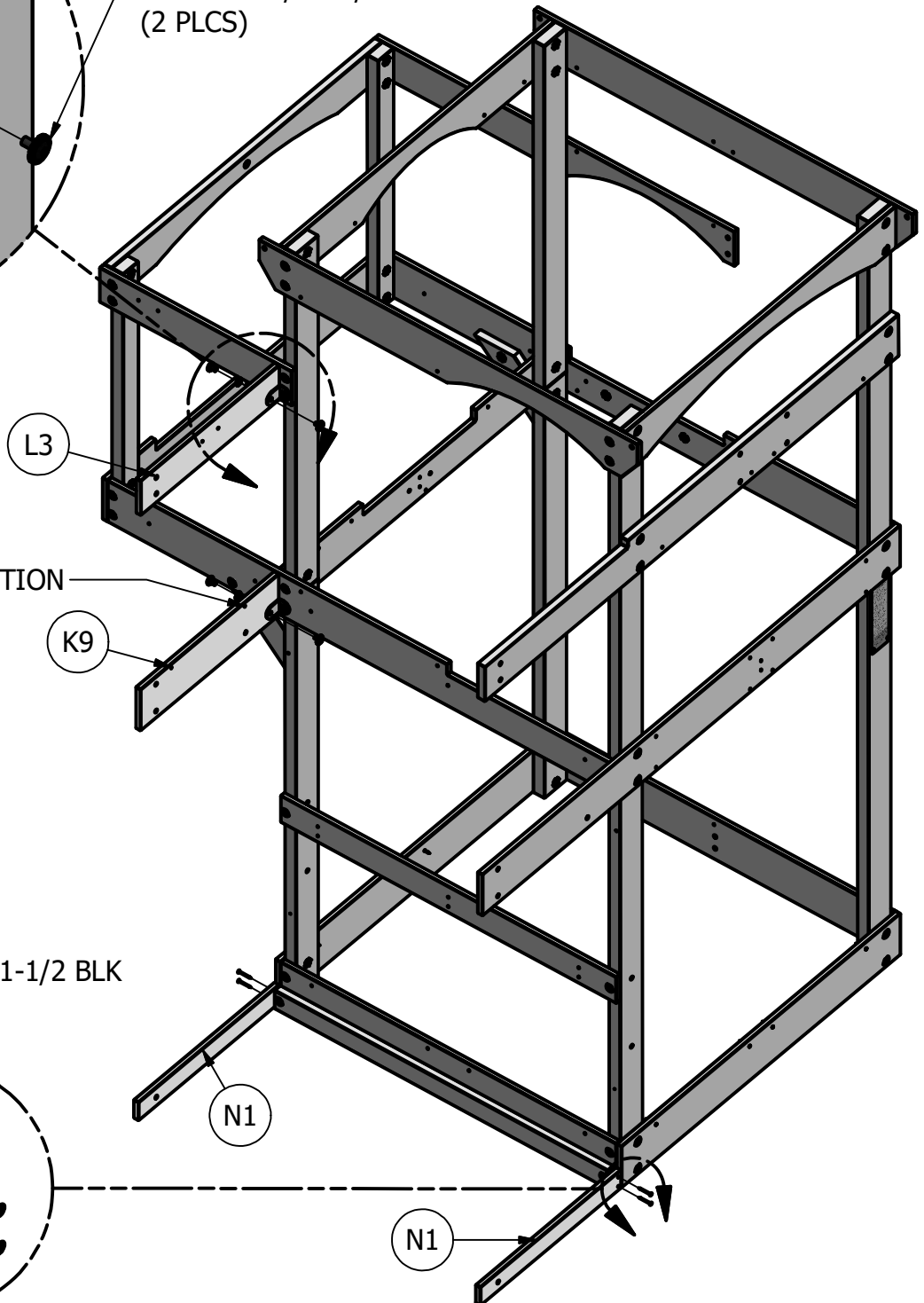
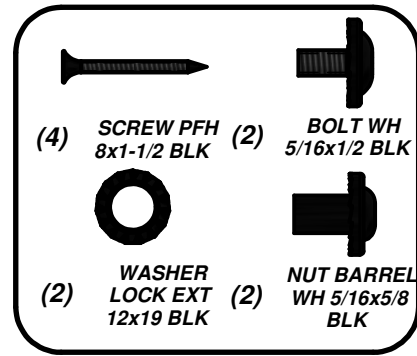
(2) **N1 - PORCH GROUND BOARD - W4L11127**
5/8"x2 3/8"x21 1/8" (16x60x537)

STEP 10

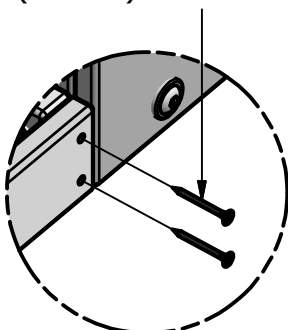


NOTE HOLES ARE ABOVE CENTER OF BOARD

NOTE SMALL HOLE LOCATION

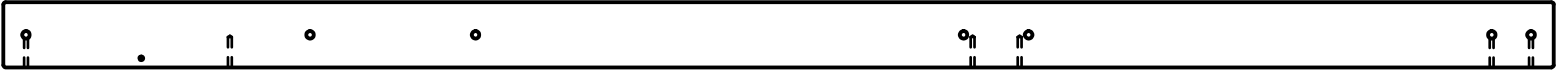


SCREW PFH 8x1-1/2 BLK (4 PLCS)





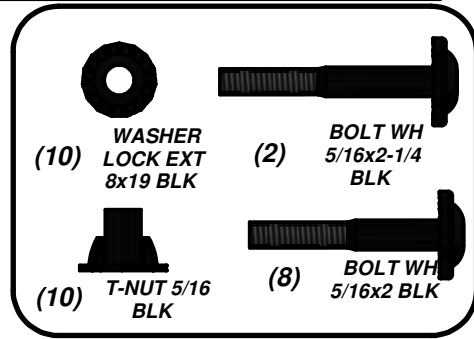
(1) **E5 - RIGHT FRONT BALCONY UPRIGHT - W4L11126**
1 3/8"x3 3/8"x80 3/4" (36x86x2052)



(1) **E11 - RIGHT FRONT BALCONY UPRIGHT - W4L11157**
1 3/8"x3 3/8"x80 3/4" (36x86x2052)

STEP 11

•INSTALL T-NUTS INTO PARTS BEFORE ASSEMBLY OF PARTS.

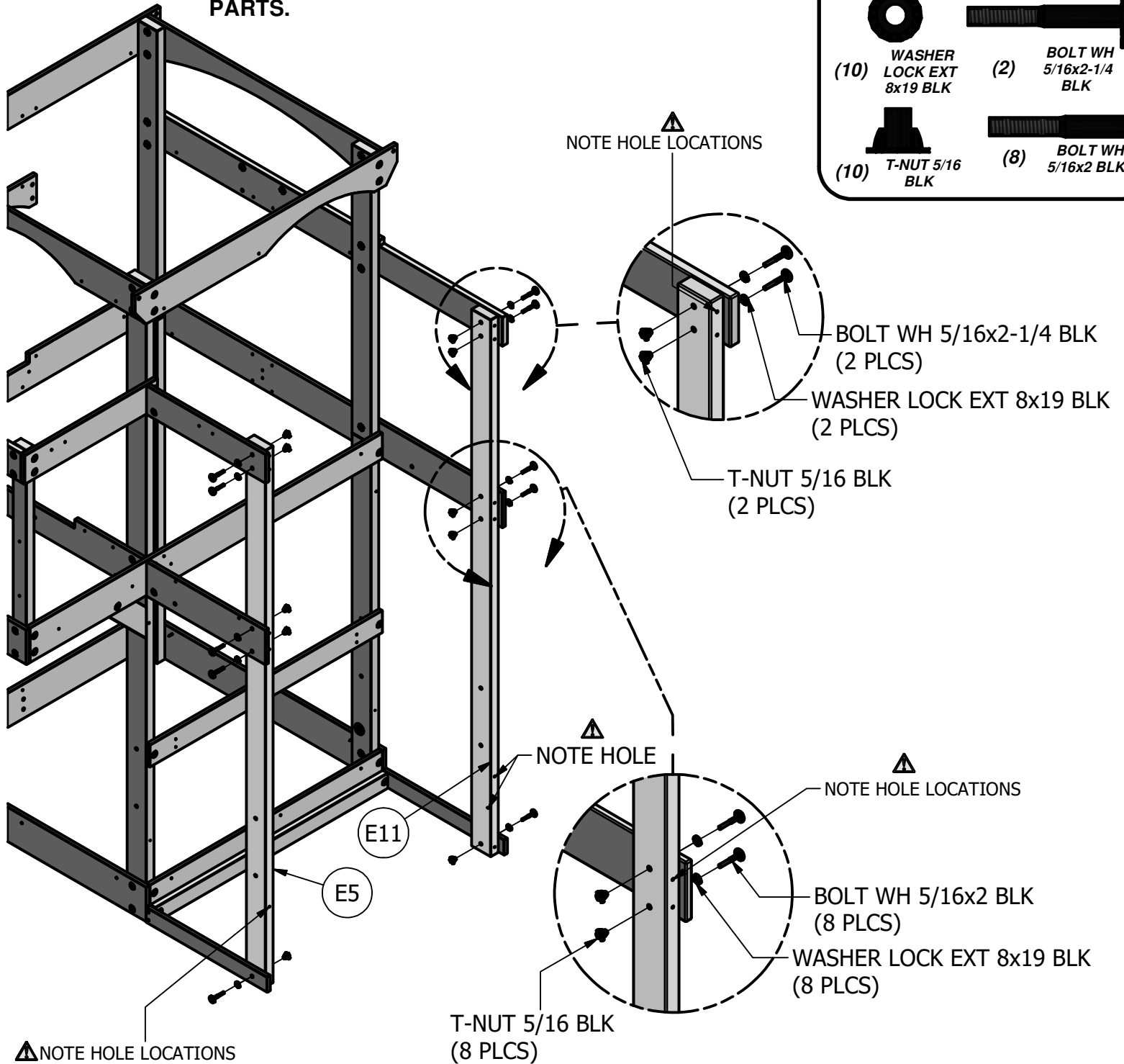


(10) **WASHER LOCK EXT 8x19 BLK**

(2) **BOLT WH 5/16x2-1/4 BLK**

(10) **T-NUT 5/16 BLK**

(8) **BOLT WH 5/16x2 BLK**

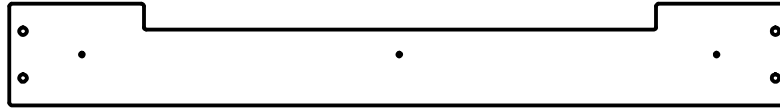




(1) **J2 - PORCH GROUND BOARD - W4L11129**
1"x2 3/8"x40 5/8" (24x60x1032)

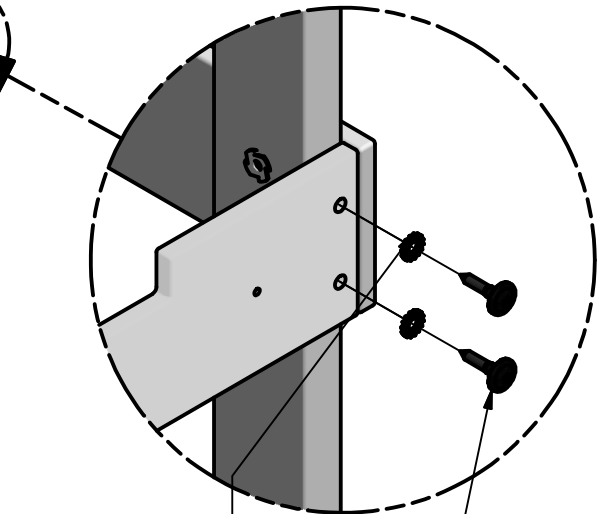
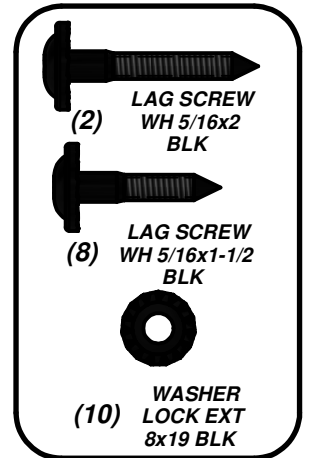
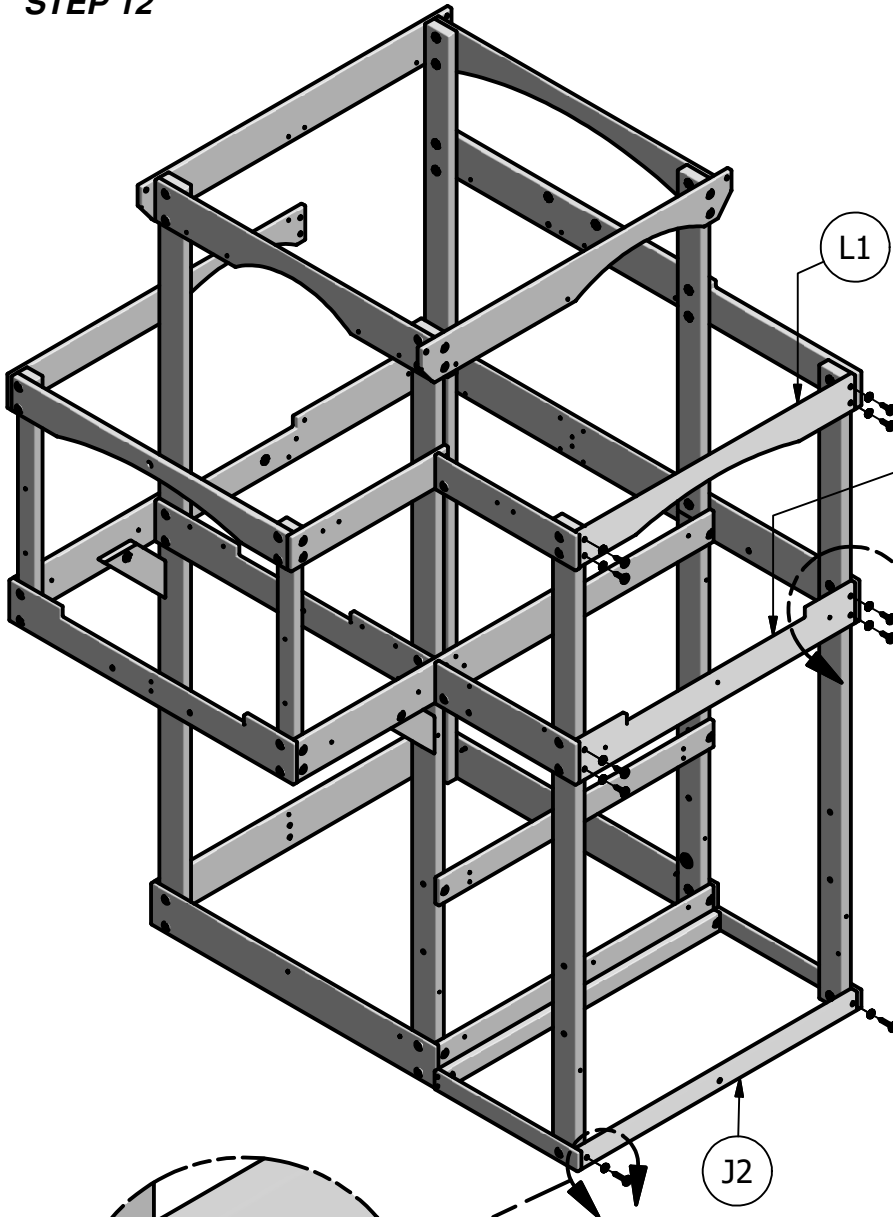


(1) **L1 - ARCHED WALL RAIL - W4L11138**
5/8"x4 3/8"x40 5/8" (16x112x1032)



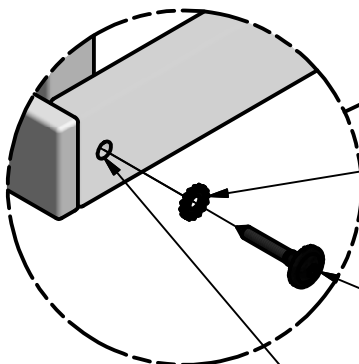
(1) **K10 - FRONT BALCONY WALL RAIL - W4L11125**
5/8"x5 1/4"x40 5/8" (16x134x1032)

STEP 12



WASHER LOCK EXT 8x19 BLK
(8 PLCS)

LAG SCREW WH 5/16x1-1/2 BLK
(8 PLCS)



WASHER LOCK EXT 8x19 BLK
(2 PLCS)

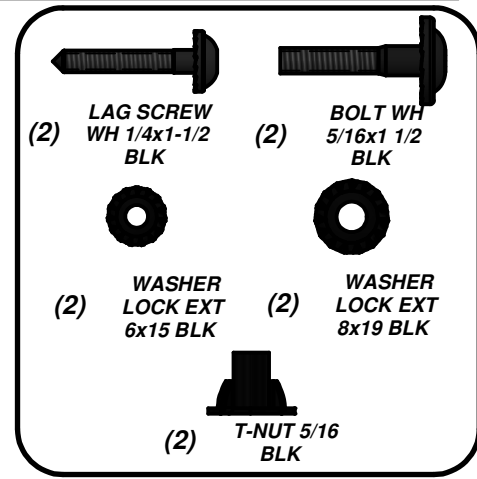
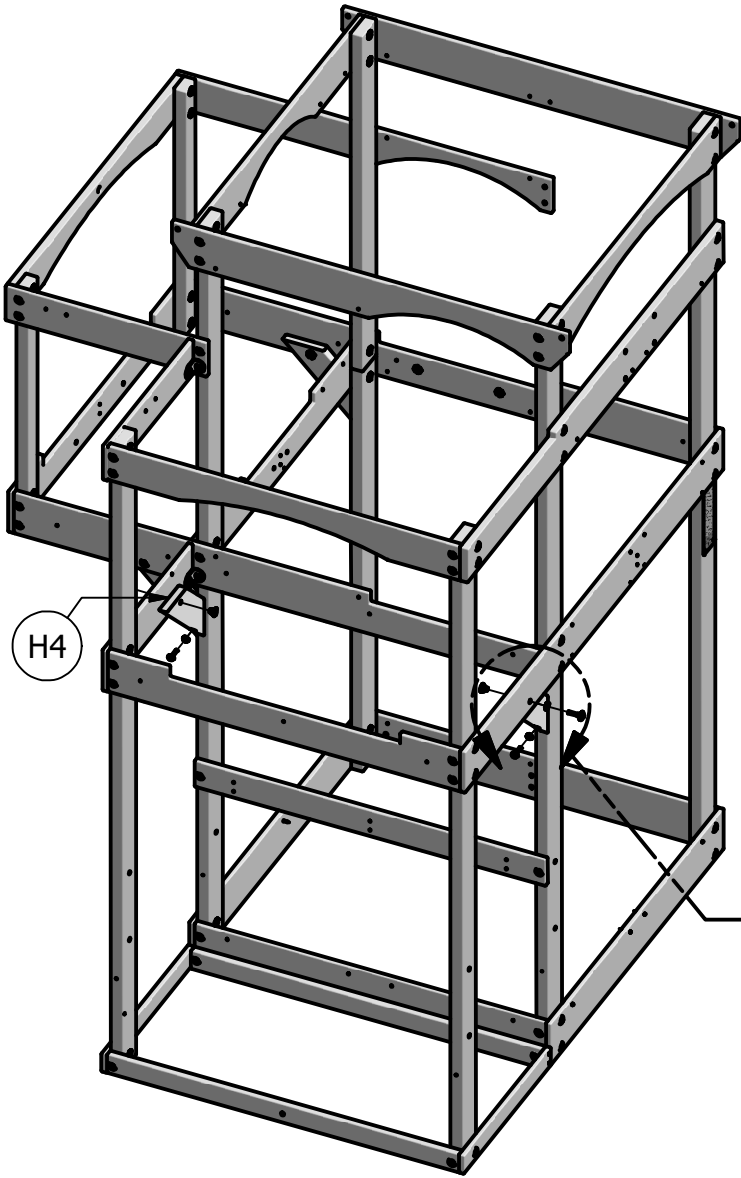
LAG SCREW WH 5/16x2 BLK
(2 PLCS)

NOTE PILOT HOLES



(2) **H4 - DECK BRACE - W4L11156**
1"x3 3/8"x12 3/4" (24x86x325)

STEP 13



H4

WASHER LOCK EXT 8x19 BLK
(2 PLCS)

T-NUT 5/16 BLK
(2 PLCS)

H4

LAG SCREW WH 1/4x1-1/2 BLK
(2 PLCS)

WASHER LOCK EXT 6x15 BLK
(2 PLCS)

BOLT WH 5/16x1 1/2 BLK
(2 PLCS)



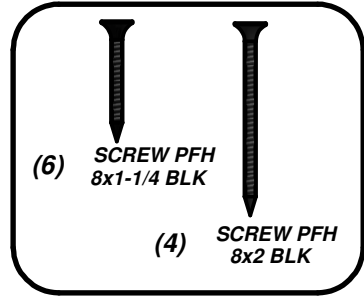
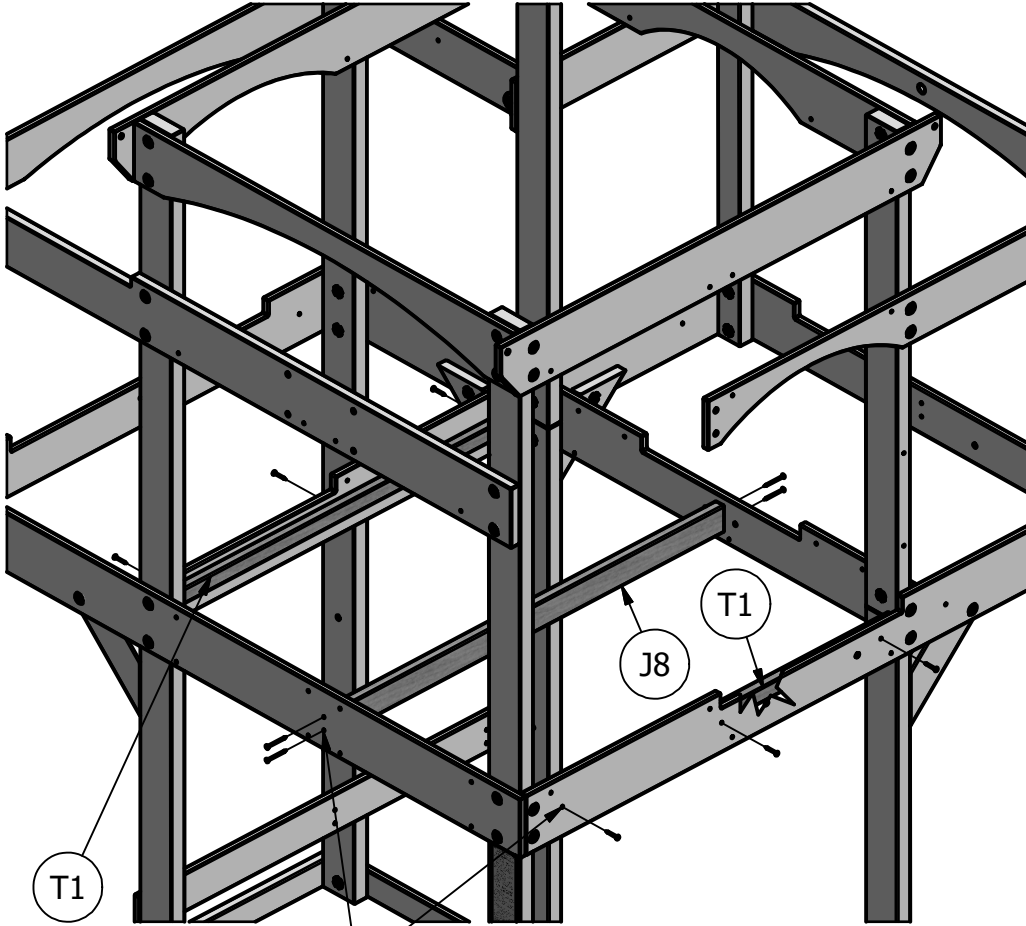
(2) **T1 - SUPPORT BOARD - W4L07599**
1"x1 3/8"x37 5/8" (24x34x957)



(1) **J8 - FLOOR JOIST - W4L07602**
1"x2 3/8"x40 1/2" (24x60x1029)

STEP 14

**INSTALL
CENTER FLOOR SUPPORTS**



T1

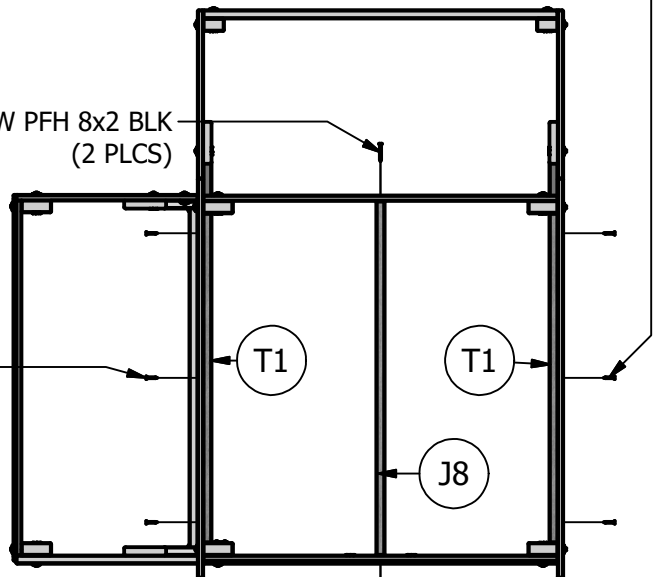
J8

T1

NOTE PILOT HOLES

SCREW PFH 8x1-1/4 BLK
(3 PLCS)

TOP VIEW



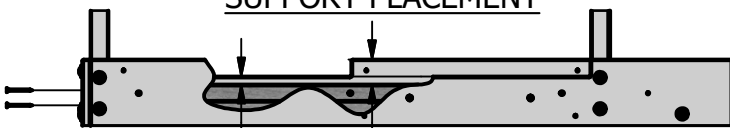
SCREW PFH 8x2 BLK
(2 PLCS)

SCREW PFH 8x1-1/4 BLK
(3 PLCS)

SCREW PFH 8x2 BLK
(2 PLCS)

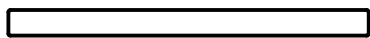
SIDE VIEW

SUPPORT PLACEMENT



5/8

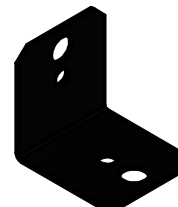
1 15/16



(2) **T3 - SUPPORT BOARD - W4L07601**
1"x1 3/8"x18 3/4" (24x34x477)

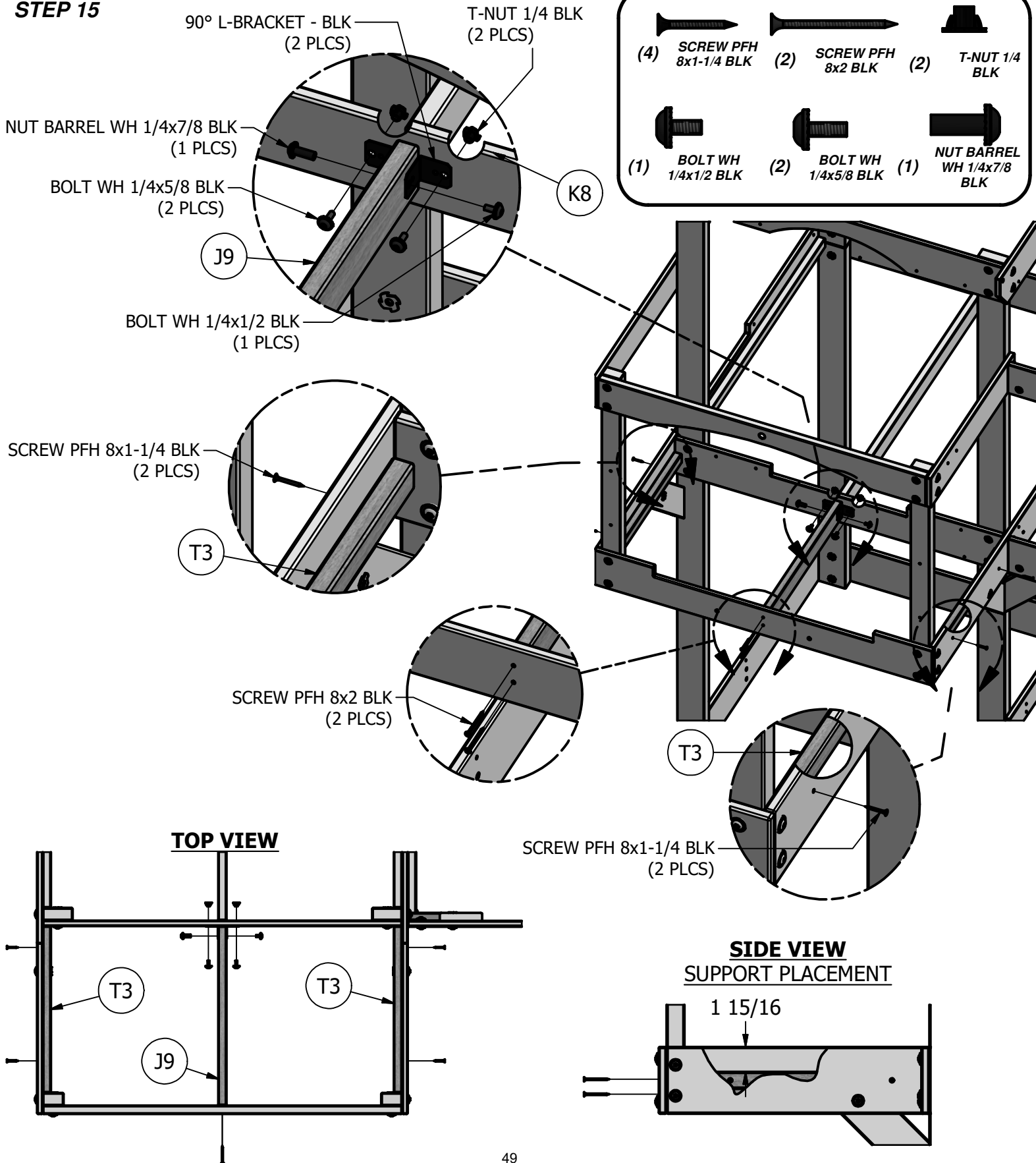


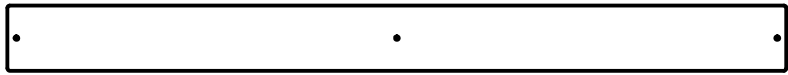
(1) **J9 - FLOOR JOIST - W4L07603**
1"x2 3/8"x20 1/4" (24x60x513)



(2) **- 90° L-BRACKET - BLK - A4M00555**

STEP 15



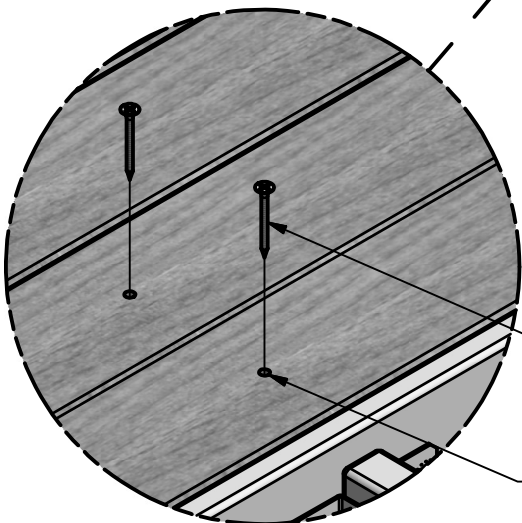
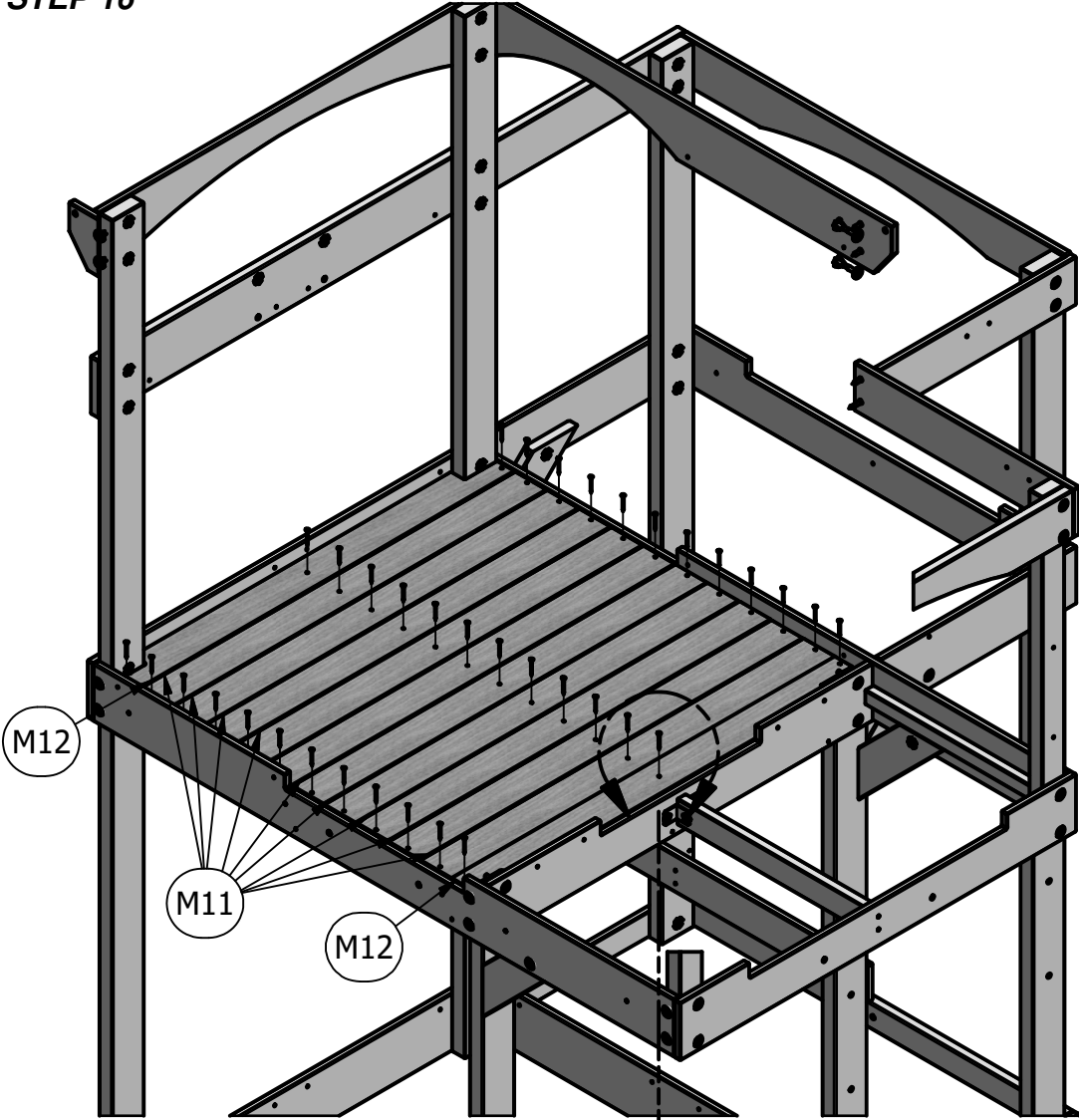
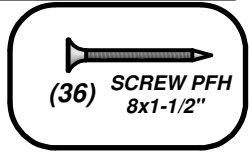


(10) **M11 - FLOOR BOARD - W4L07610**
5/8"x3 3/8"x40 5/8" (16x86x1031)



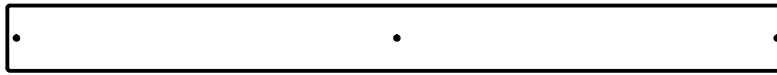
(2) **M12 - FLOOR BOARD - W4L07611**
5/8"x3 3/8"x40 5/8" (16x86x1031)

STEP 16

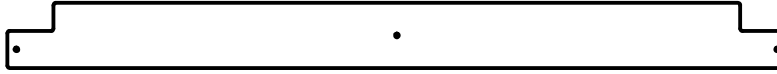


SCREW PFH 8x1-1/2"
(36 PLCS)

NOTE PILOT HOLES

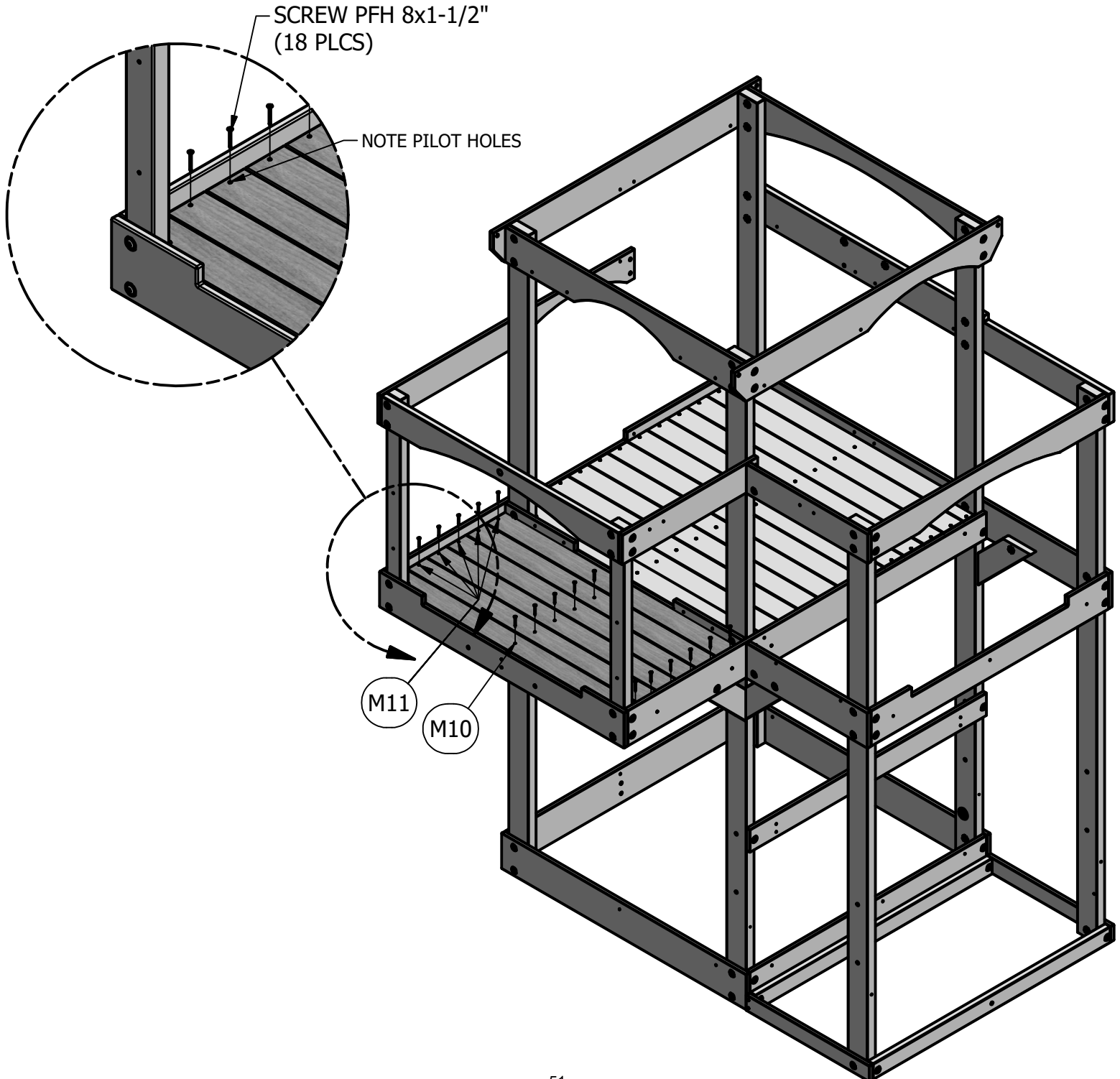
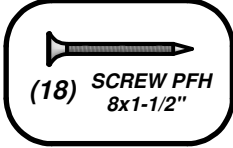


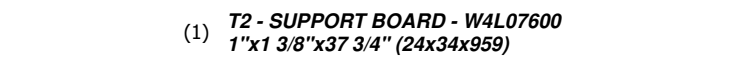
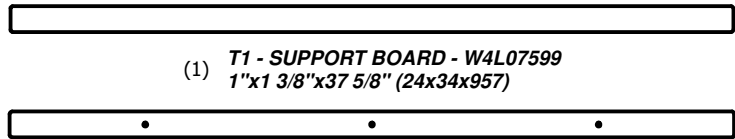
(5) *M11 - FLOOR BOARD - W4L07610*
5/8"x3 3/8"x40 5/8" (16x86x1031)



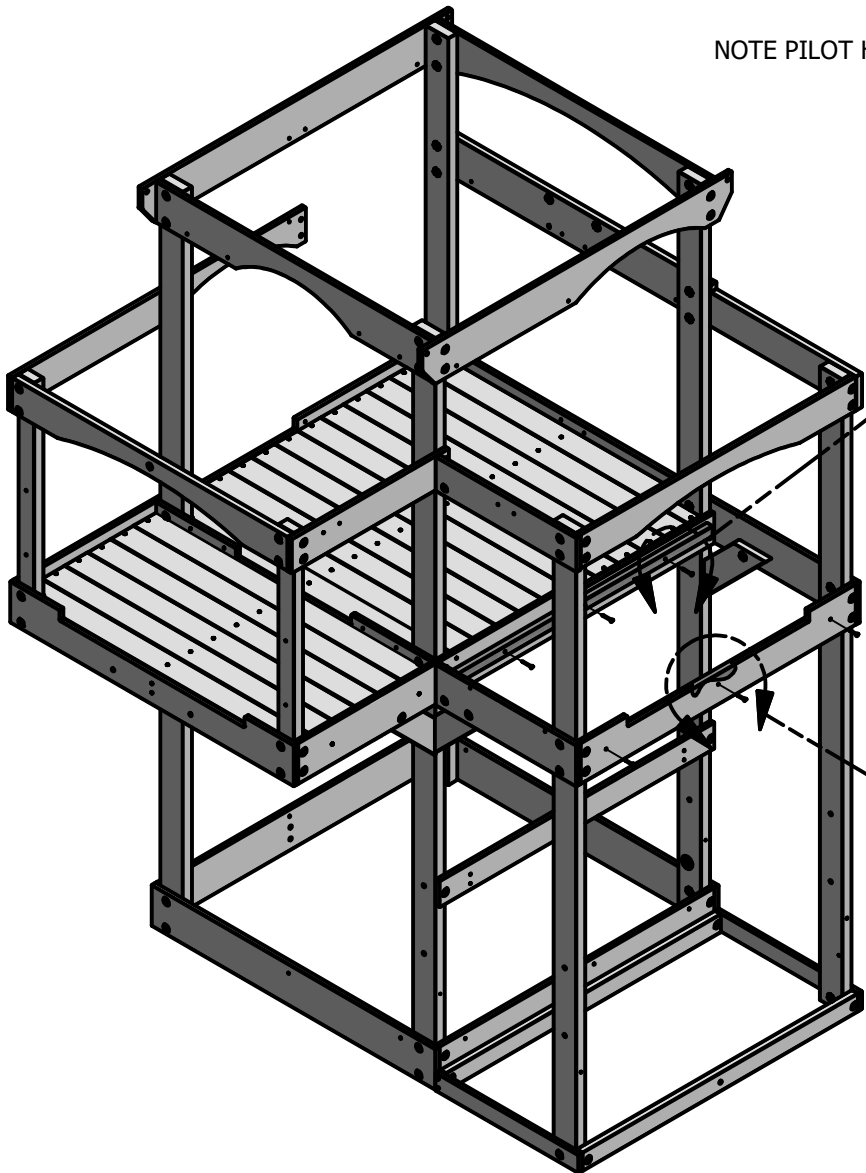
(1) *M10 - FLOOR BOARD - W4L07609*
5/8"x3 3/8"x40 5/8" (16x86x1031)

STEP 17

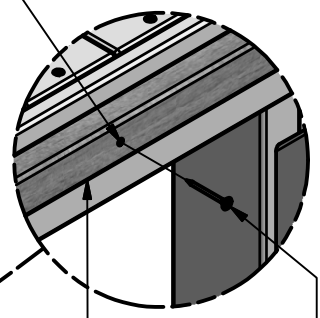




STEP 18



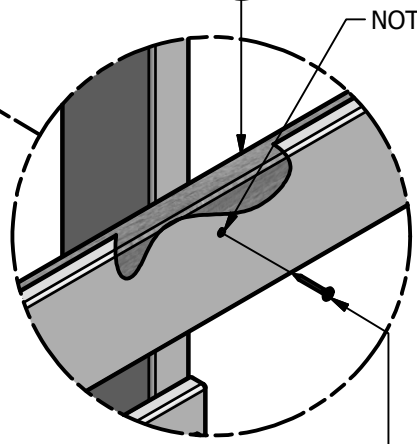
NOTE PILOT HOLES



T2
SCREW PFH 8x1-1/2"
(3 PLCS)

(3) SCREW PFH 8x1-1/2"
(3) SCREW PFH 8x1-1/4 BLK

T1

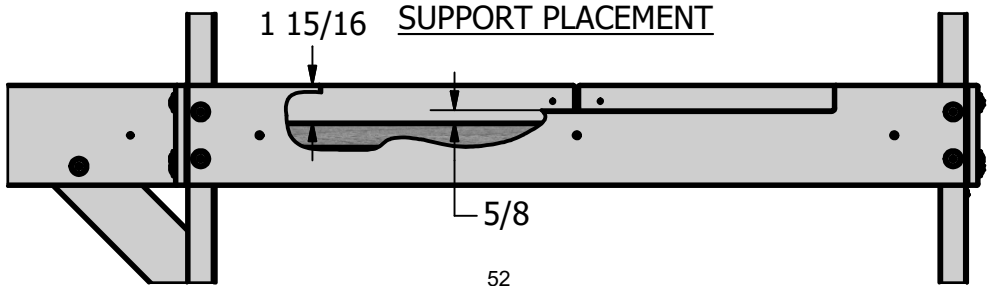


NOTE PILOT HOLES

SCREW PFH 8x1-1/4 BLK
(3 PLCS)

SIDE VIEW

SUPPORT PLACEMENT





(1) M8 - FLOOR BOARD - W4L07607
5/8"x3 3/8"x20 1/8" (16x86x512)

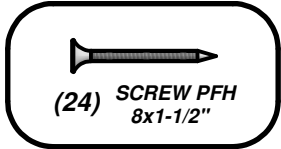


(10) M9 - FLOOR BOARD - W4L07608
5/8"x3 3/8"x20 1/8" (16x86x512)

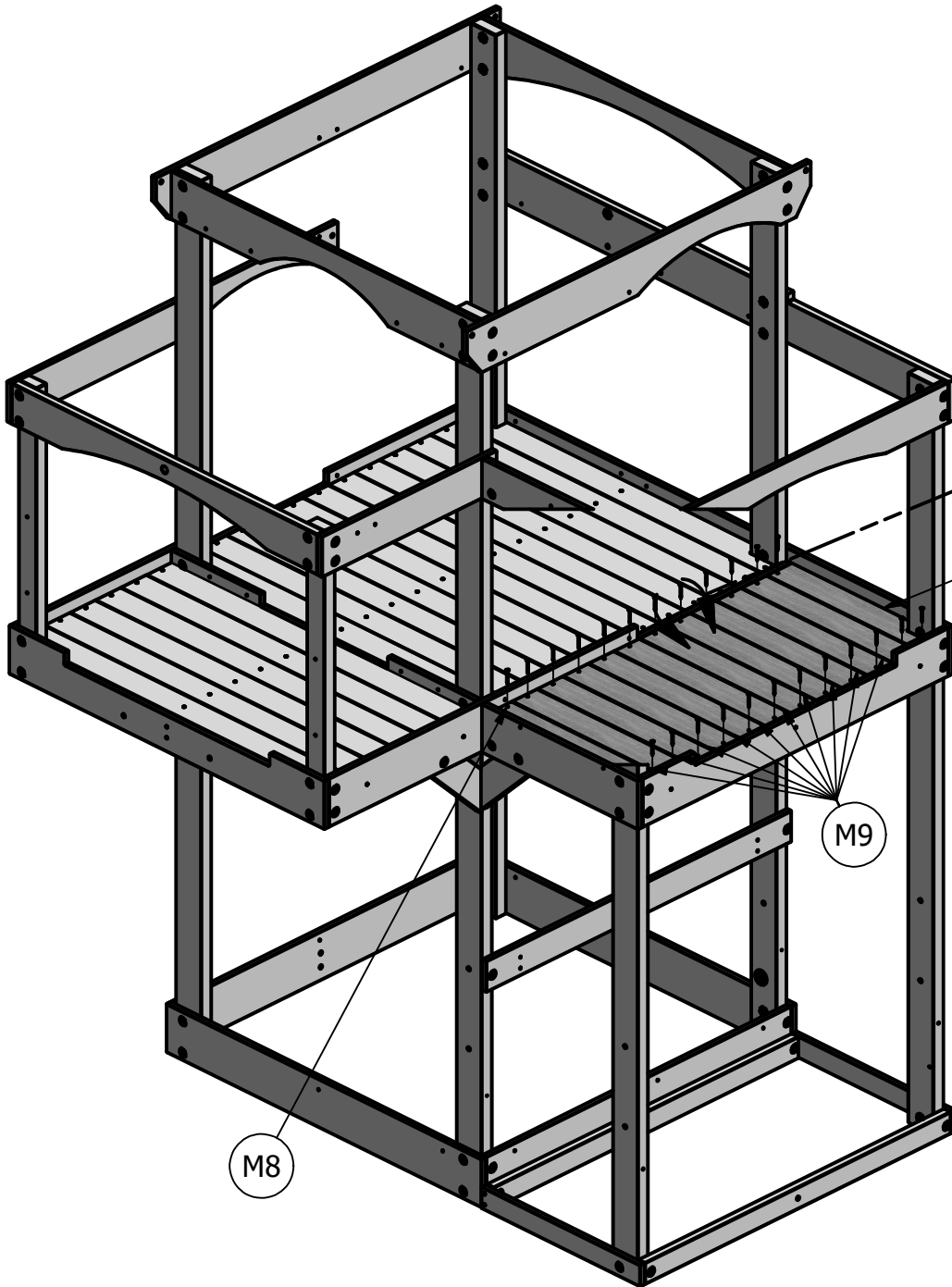


(1) M13 - FLOOR BOARD - W4L07671
5/8"x3 3/8"x20 1/8" (16x86x512)

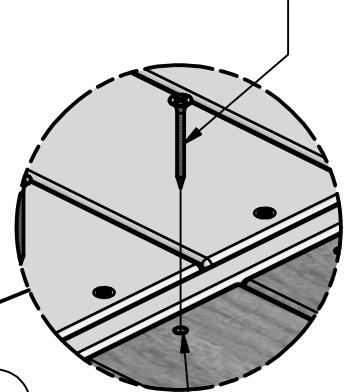
STEP 19



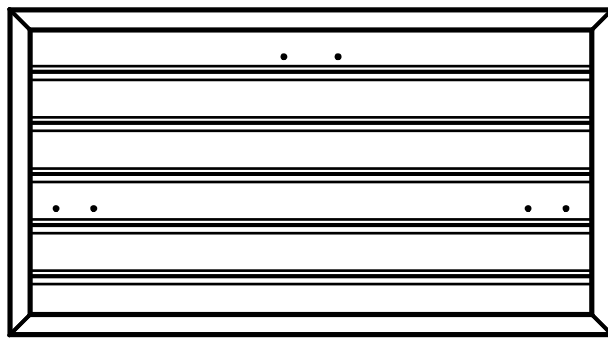
(24) SCREW PFH
8x1-1/2"



SCREW PFH 8x1-1/2"
(24 PLCS)



NOTE PILOT HOLES

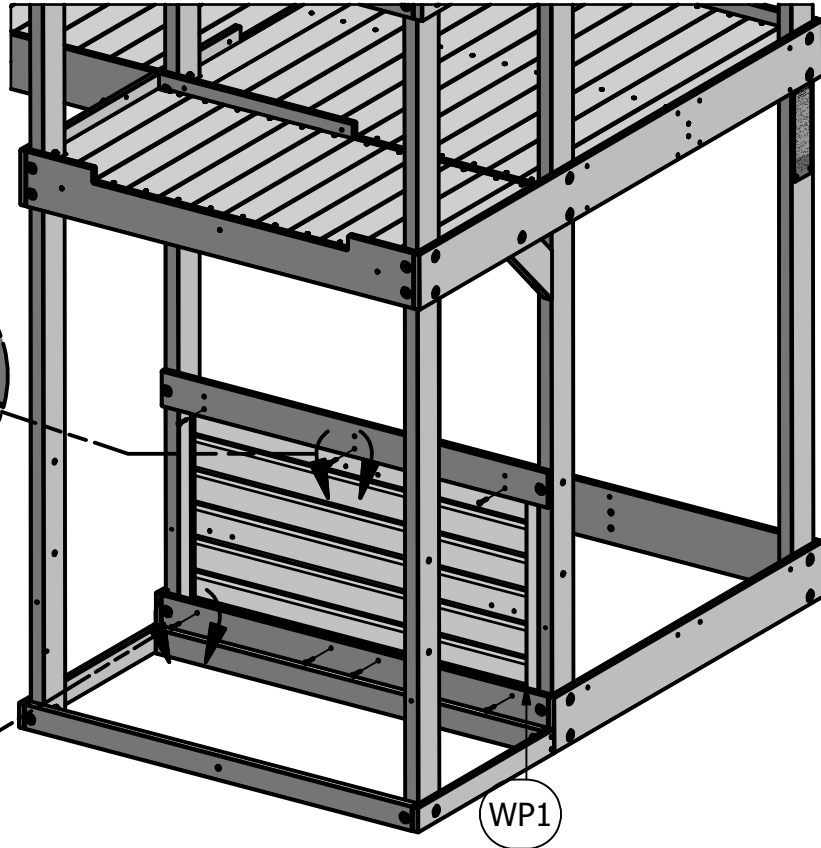
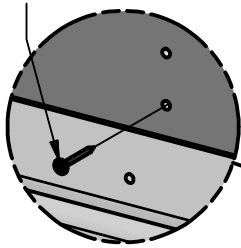


(1) WP1 - FRONT WALL PANEL - W2A02082
1"x20 3/8"x37 3/4" (24x517x958)

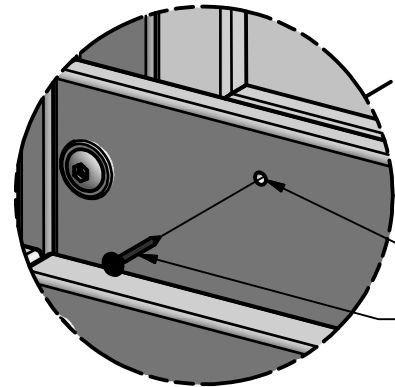
STEP 20



SCREW PFH 8x1-1/4 BLK
(3 PLCS)



WP1

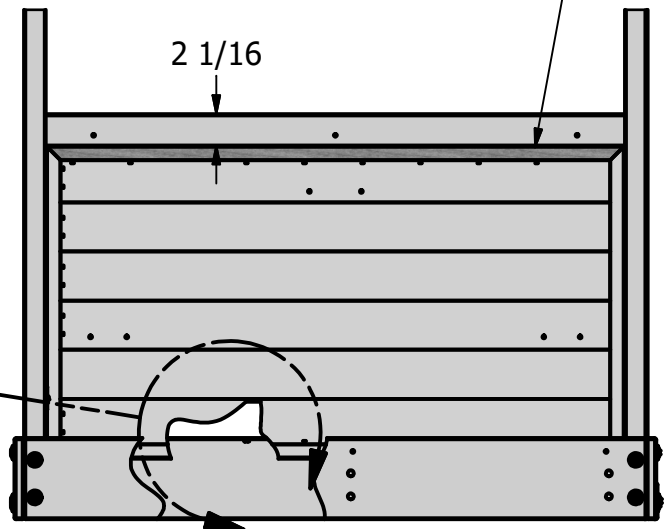


NOTE PILOT HOLES

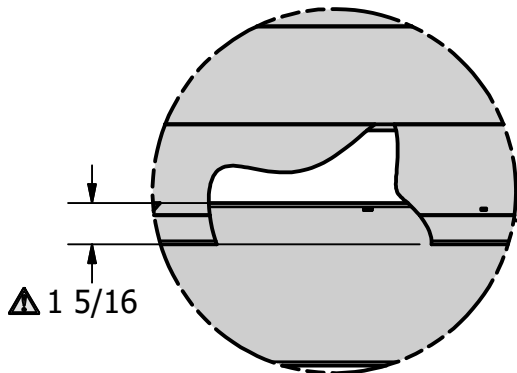
SCREW PFH 8x1-1/4 BLK
(4 PLCS)

PANEL PLACEMENT

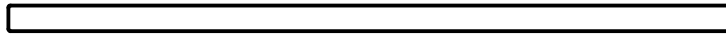
WP1



2 1/16

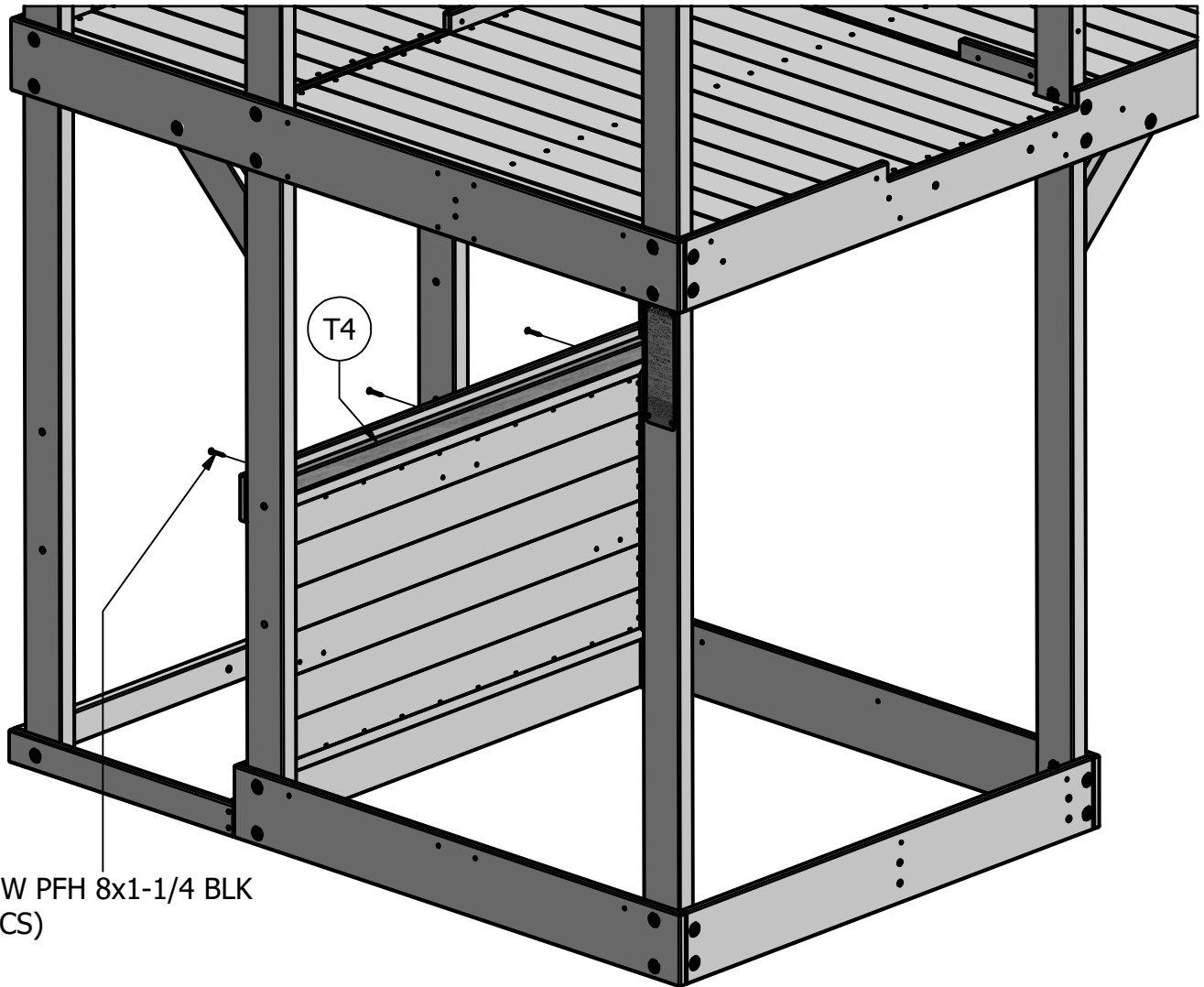
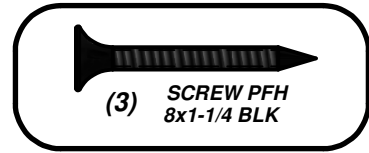


Δ 1 5/16



(1) T4 - SUPPORT BOARD - W4L07613
1"x1 3/8"x37 3/4" (24x34x958)

STEP 21

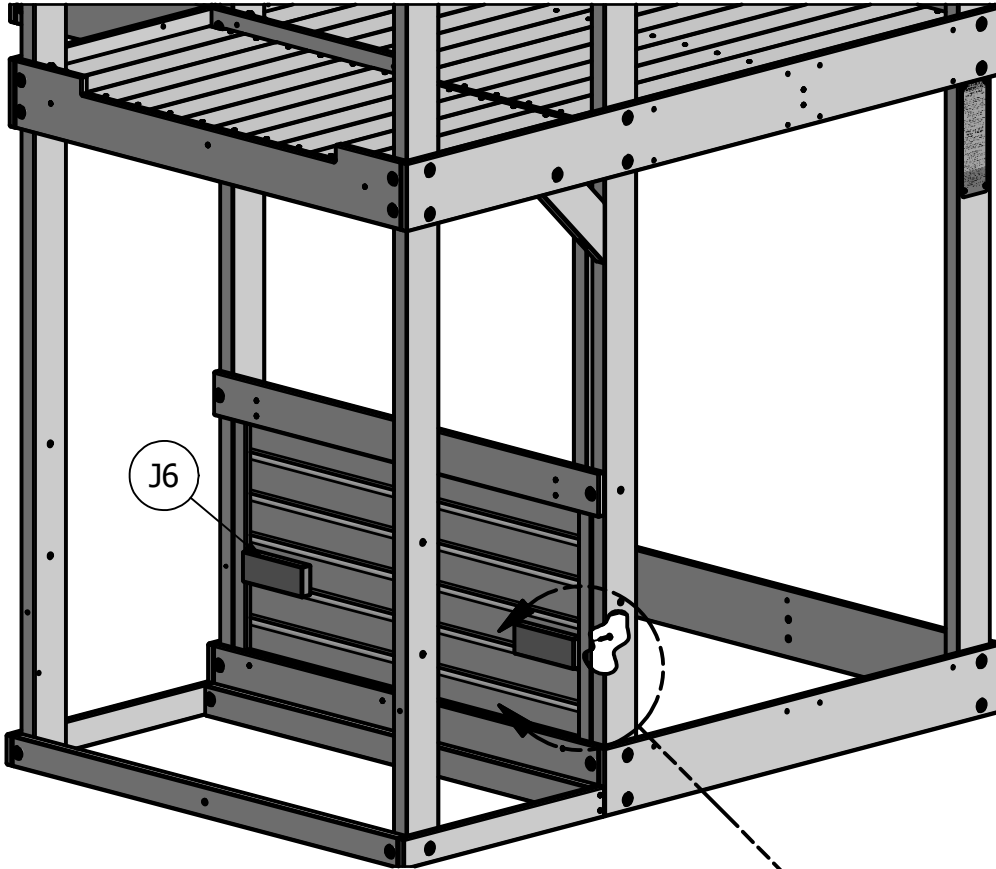
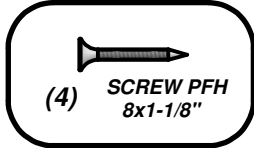


SCREW PFH 8x1-1/4 BLK
(3 PLCS)



(2) **J6 - SUPPORT BLOCK - W4L11153**
1"x2 3/8"x6 1/4" (24x60x160)

STEP 22



J6

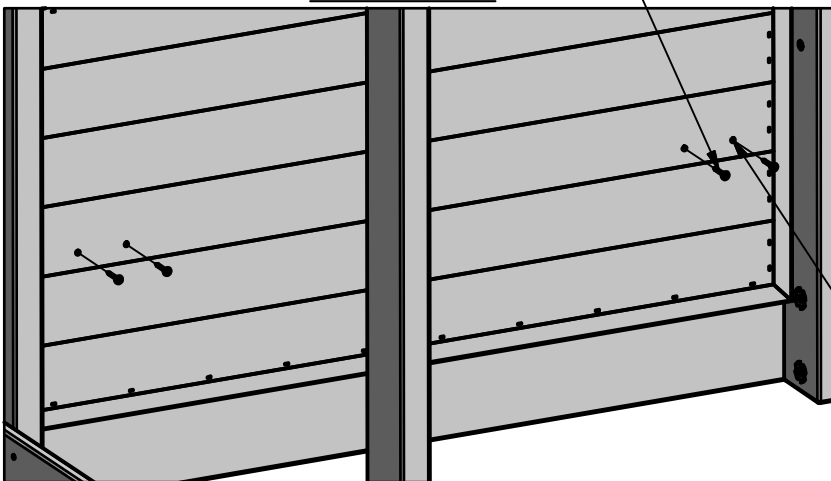
SCREW PFH 8x1-1/8"
(4 PLCS)

J6

5 3/8

NOTE PILOT HOLES

REAR VIEW



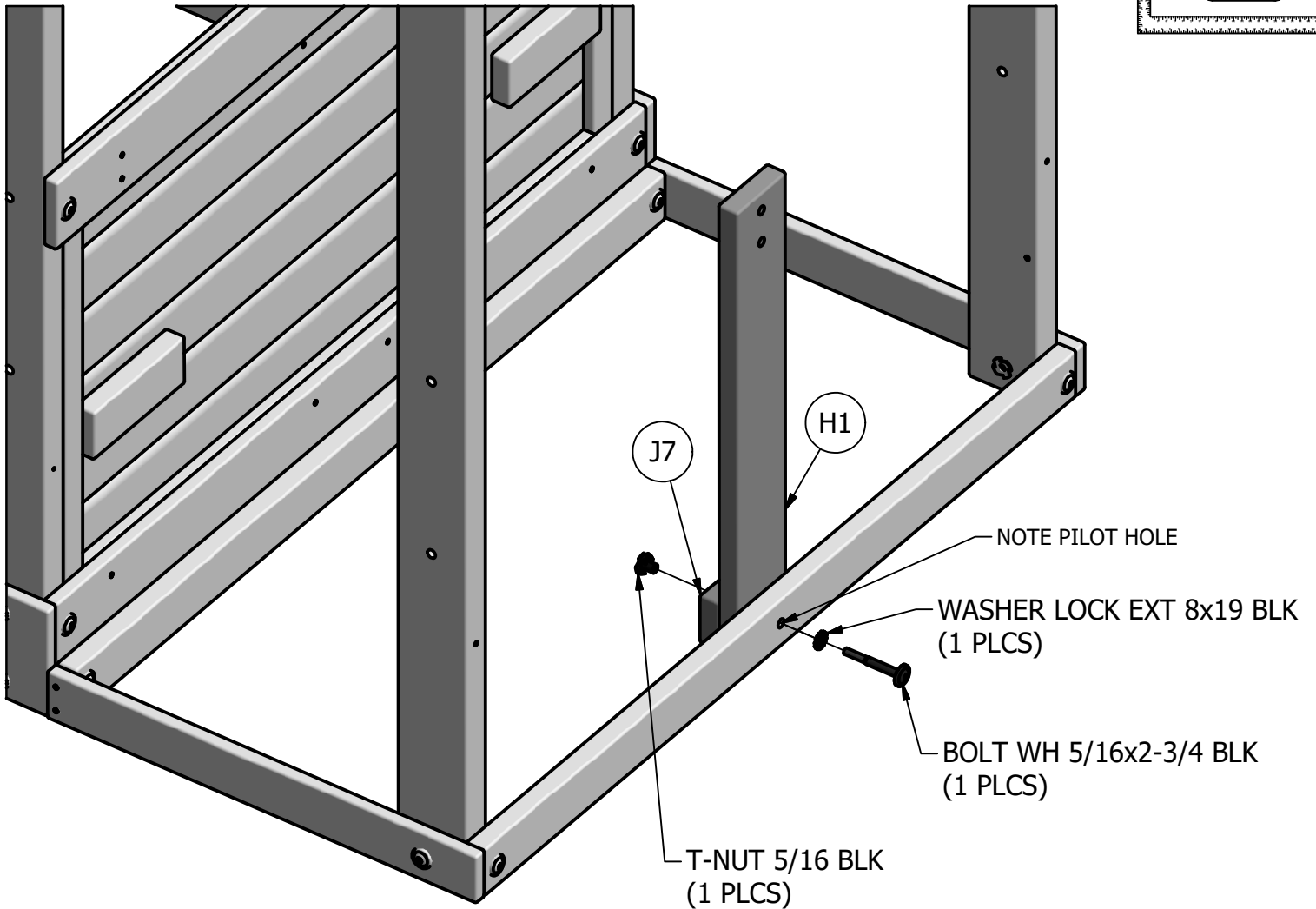
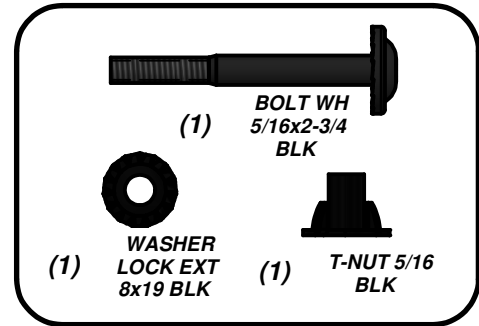


(1) **J7 - SUPPORT BLOCK - W4L11158**
 1"x2 3/8"x3 3/8" (24x60x86)



(1) **H1 - TABLE SUPPORT - W4L11147**
 1"x3 3/8"x22 3/8" (24x86x567)

STEP 23





(1) M5 - FLOOR BOARD - W4L07598
5/8"x3 3/8"x19 1/4" (16x86x488)

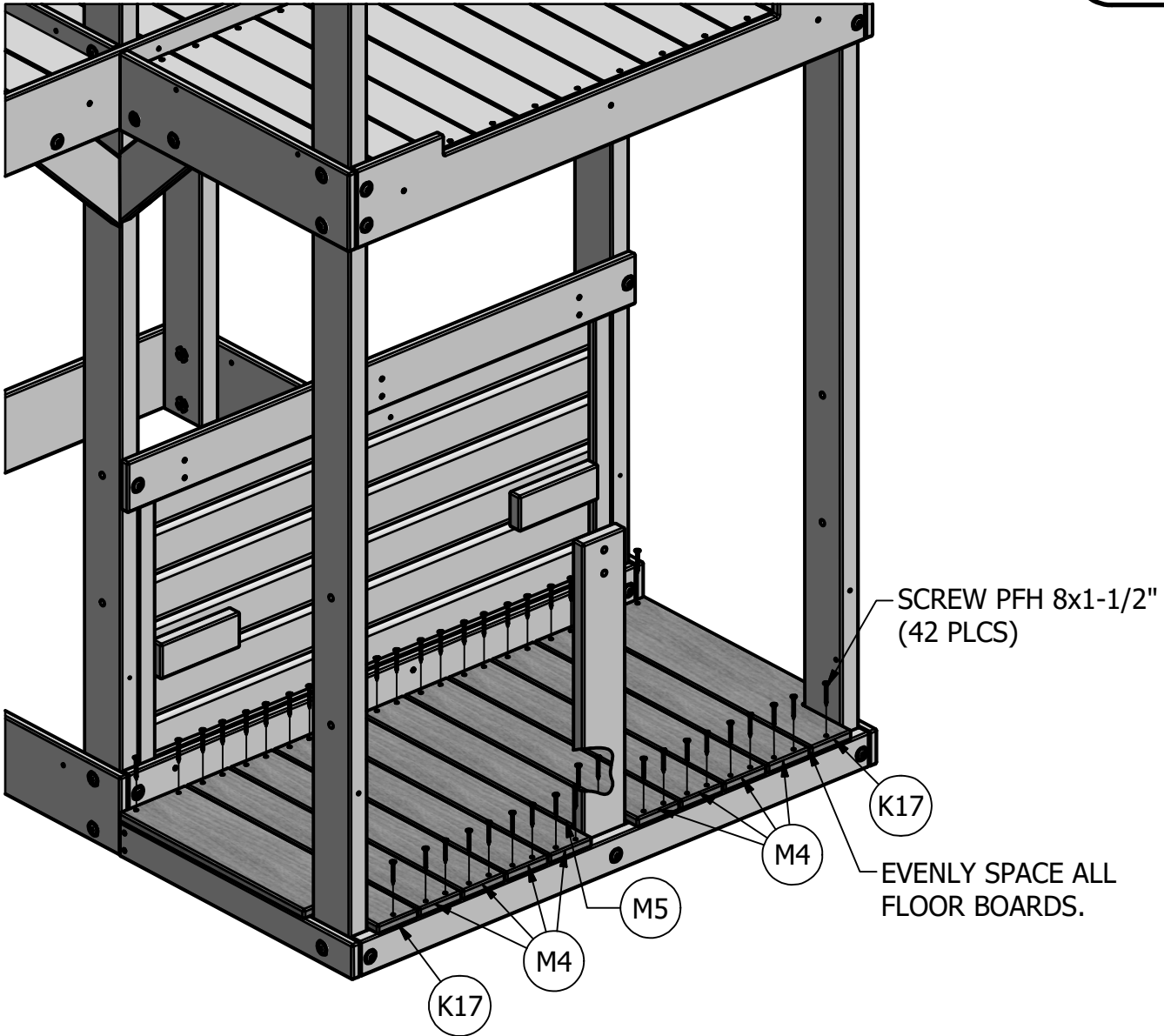
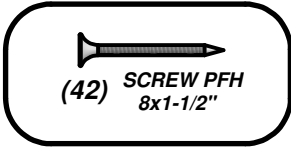


(8) M4 - FLOOR BOARD - W4L07597
5/8"x3 3/8"x21 1/8" (16x86x537)



(2) K17 - FLOOR BOARD - W4L07596
5/8"x5 1/4"x21 1/8" (16x134x537)

STEP 24





(2) **J3 - BENCH SUPPORT - W4L11150**
1"x2 3/8"x9" (24x60x230)

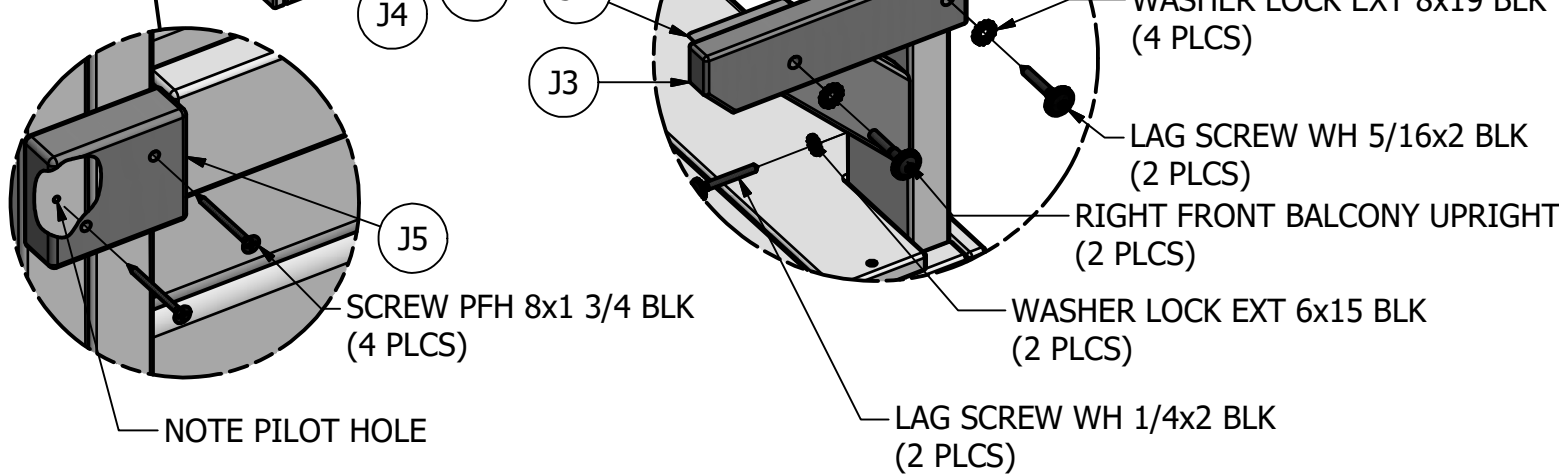
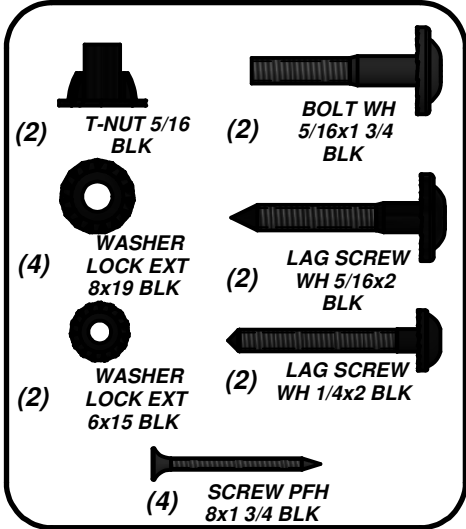
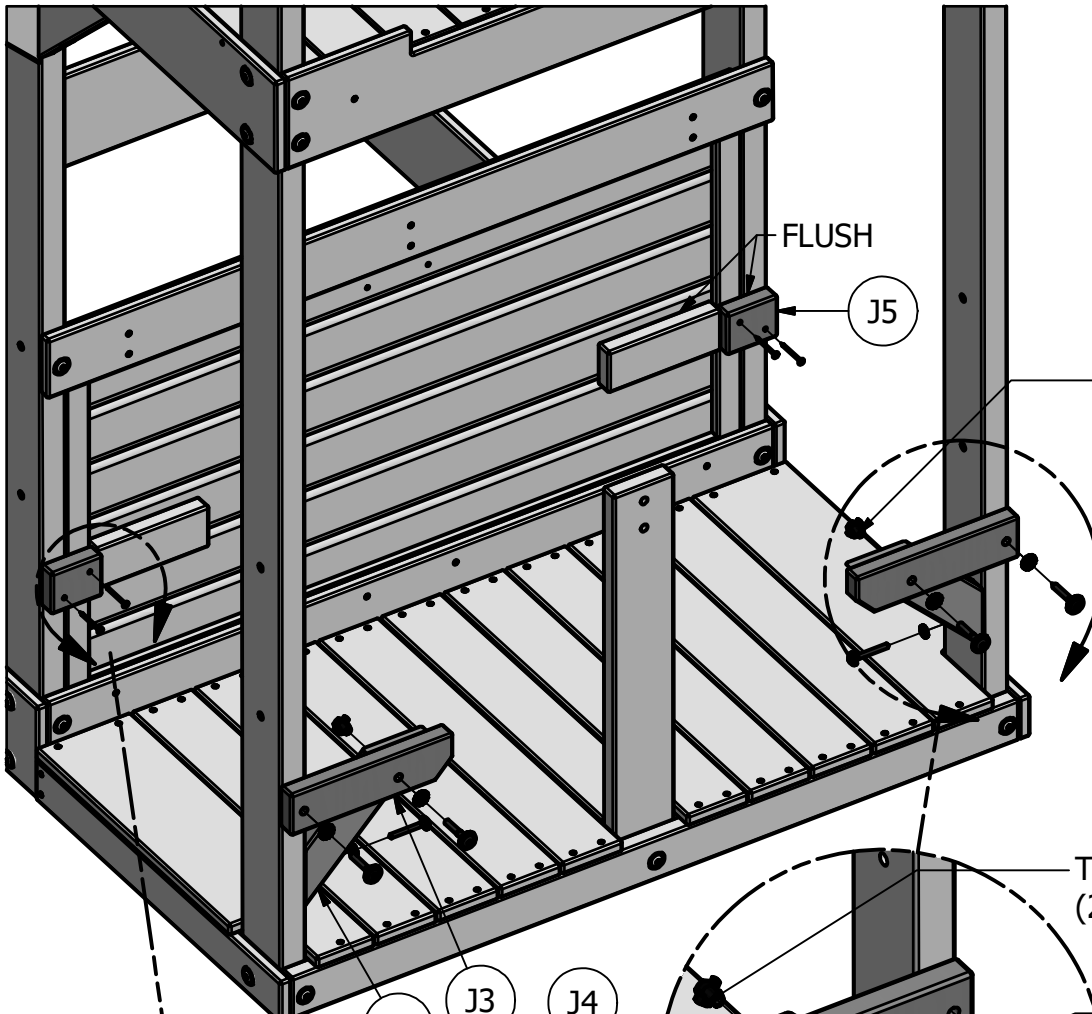


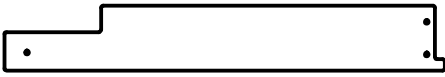
(2) **J4 - ANGLE BRACE - W4L11151**
1"x2 3/8"x10" (24x60x254)



(2) **J5 - SUPPORT BLOCK - W4L11152**
1"x2 3/8"x2 7/8" (24x60x72)

STEP 25





(2) **M2 - BENCH BOARD - W4L07591**
5/8"x3 3/8"x23" (16x86x583)

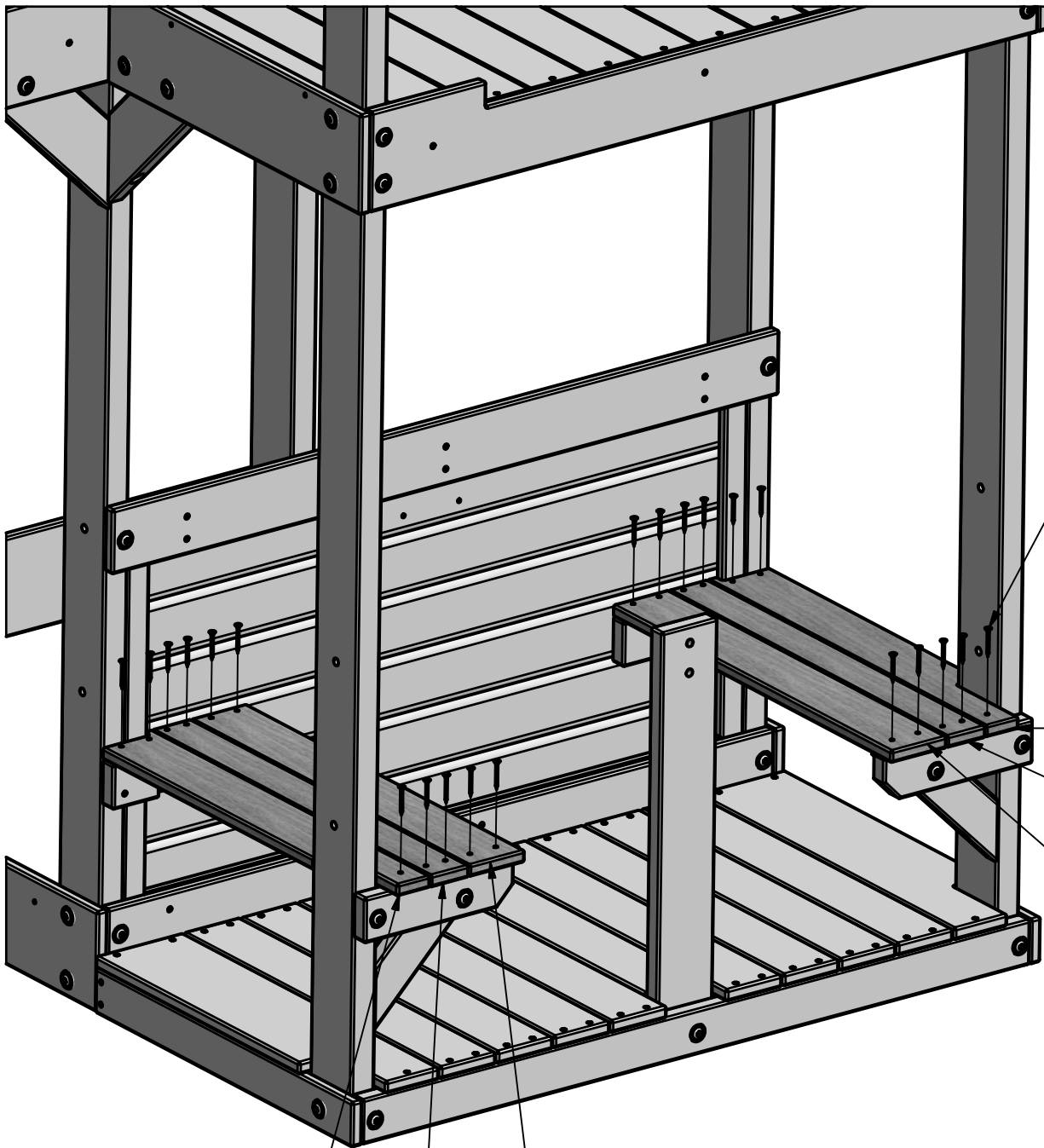
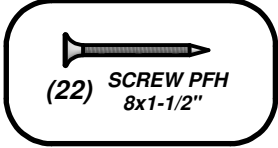


(2) **M3 - BENCH BOARD - W4L07593**
5/8"x3 3/8"x23" (16x86x583)



(2) **N3 - BENCH BOARD - W4L07592**
5/8"x2 3/8"x23" (16x60x583)

STEP 26



SCREW PFH 8x1-1/2"
(22 PLCS)

M2

N3

M3

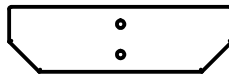
M2

N3

M3



(2) **M3 - BENCH BOARD - W4L07593**
5/8"x3 3/8"x23" (16x86x583)



(1) **H2 - TABLE SUPPORT - W4L11148**
1"x3 3/8"x11 5/8" (24x86x295)

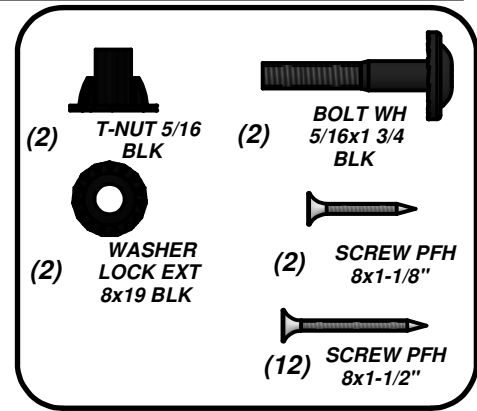
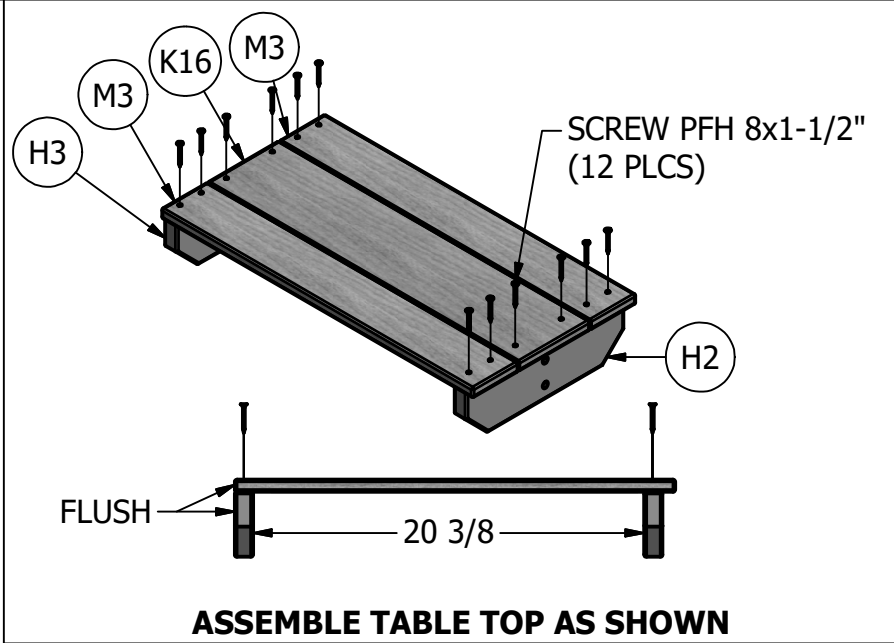


(1) **H3 - TABLE SUPPORT - W4L11149**
1"x3 3/8"x11 5/8" (24x86x295)

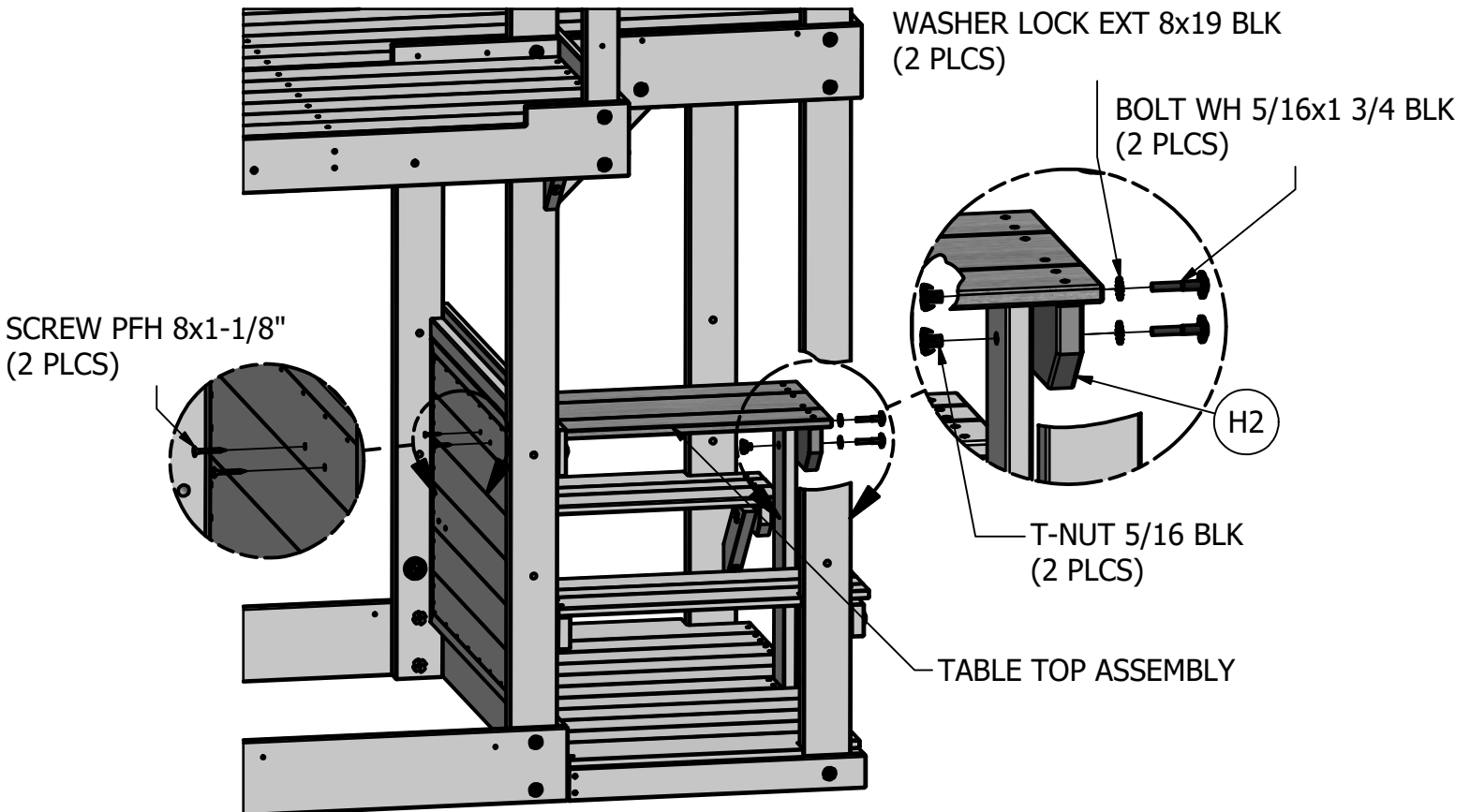


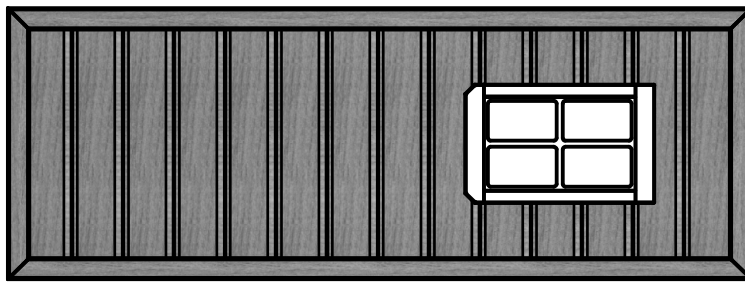
(1) **K16 - TABLE BOARD - W4L07594**
5/8"x5 1/4"x23" (16x134x583)

STEP 27



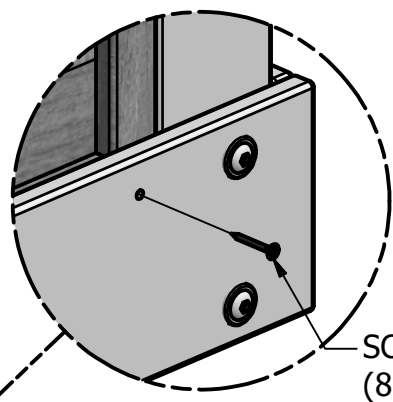
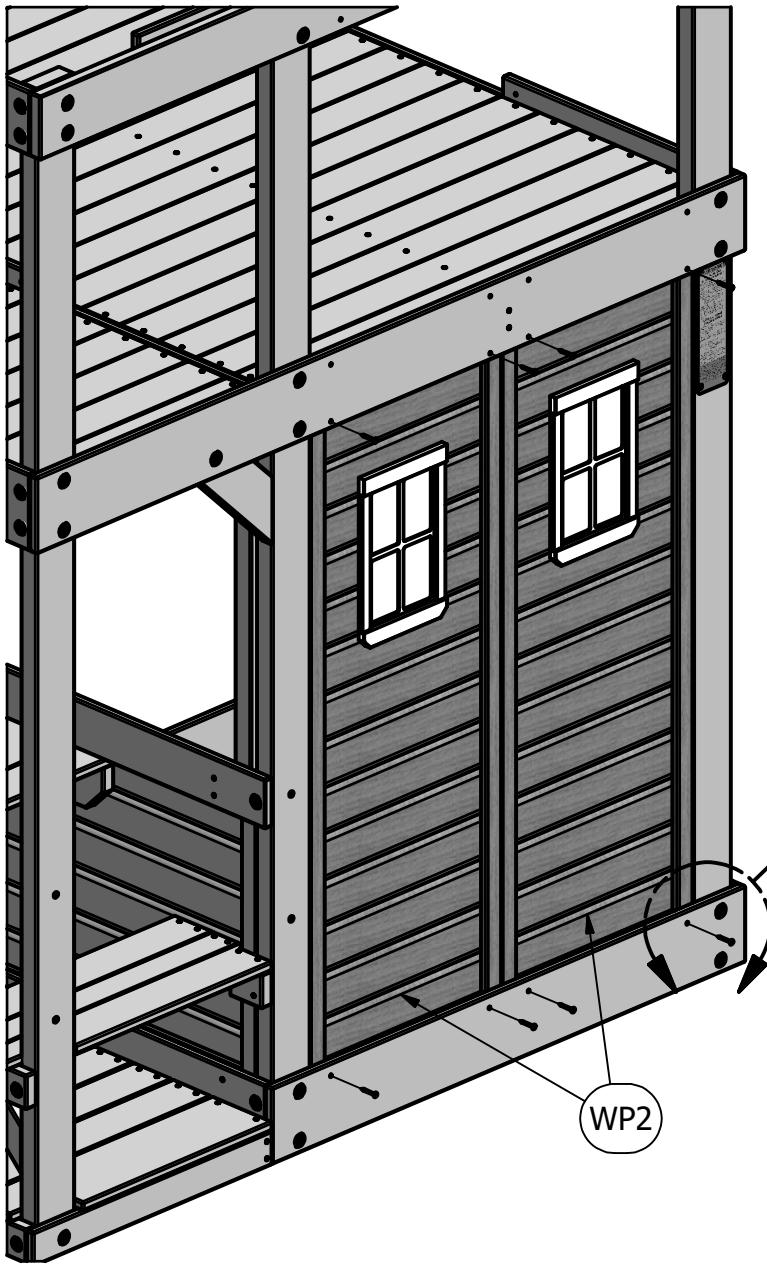
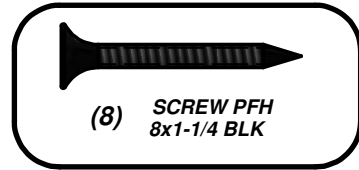
•INSTALL T-NUTS INTO PARTS BEFORE ASSEMBLY OF PARTS



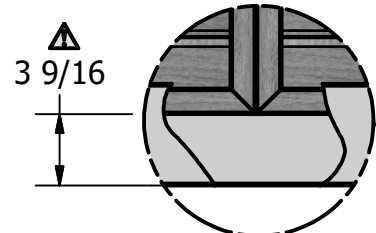
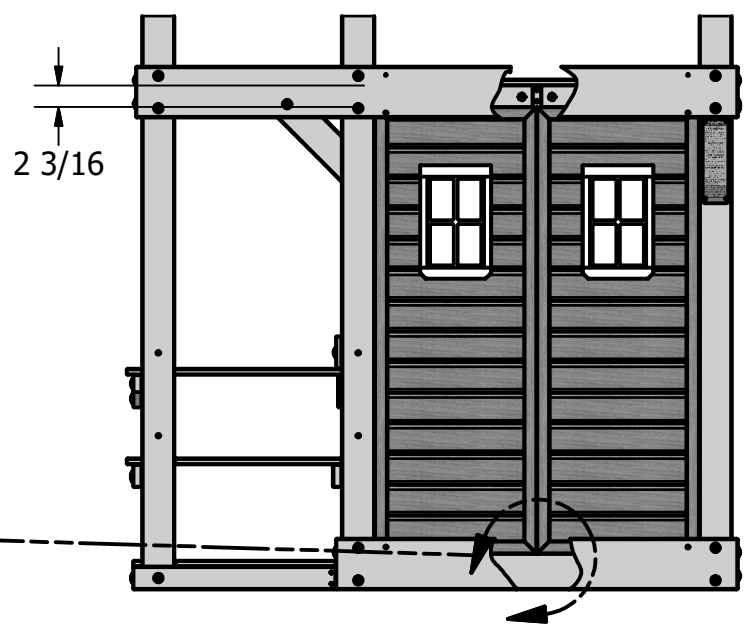


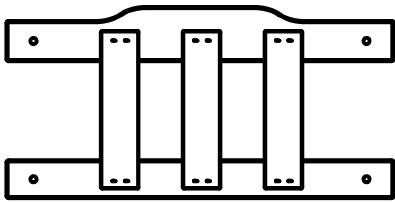
(2) WP2 - RIGHT LOWER WALL PANEL - W2A02083
 1"x16 7/8"x46 1/2" (24x430x1181)

STEP 28



SCREW PFH 8x1-1/4 BLK
 (8 PLCS)





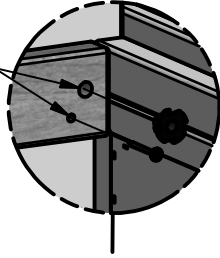
(1) WP10 - BENCH BACK ASSEMBLY - W2A02081
1 1/8"x11 7/8"x17 5/8" (27x303x615)



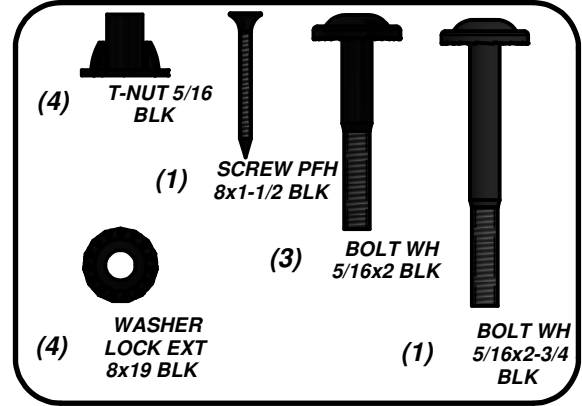
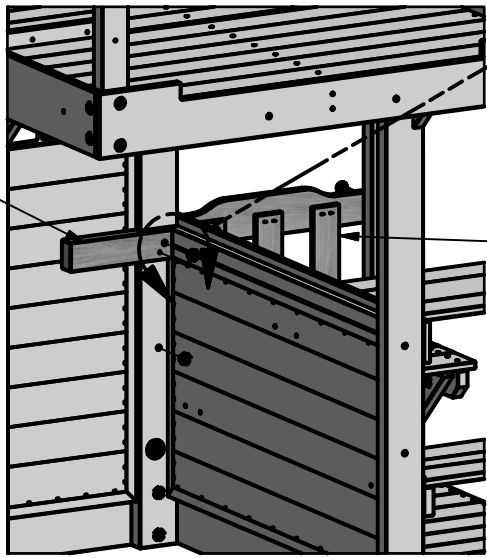
(1) F3 - SUPPORT BLOCK - W4L11159
1 3/8"x2 3/8"x9 1/4" (36x60x234)

STEP 29

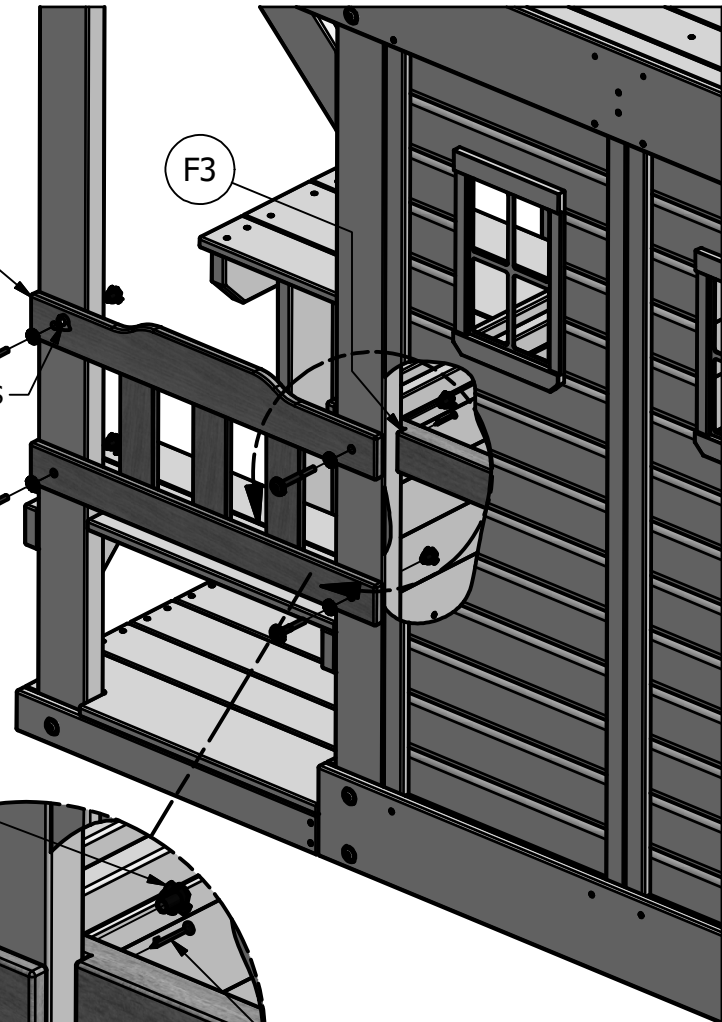
NOTE PILOT HOLES



REAR VIEW

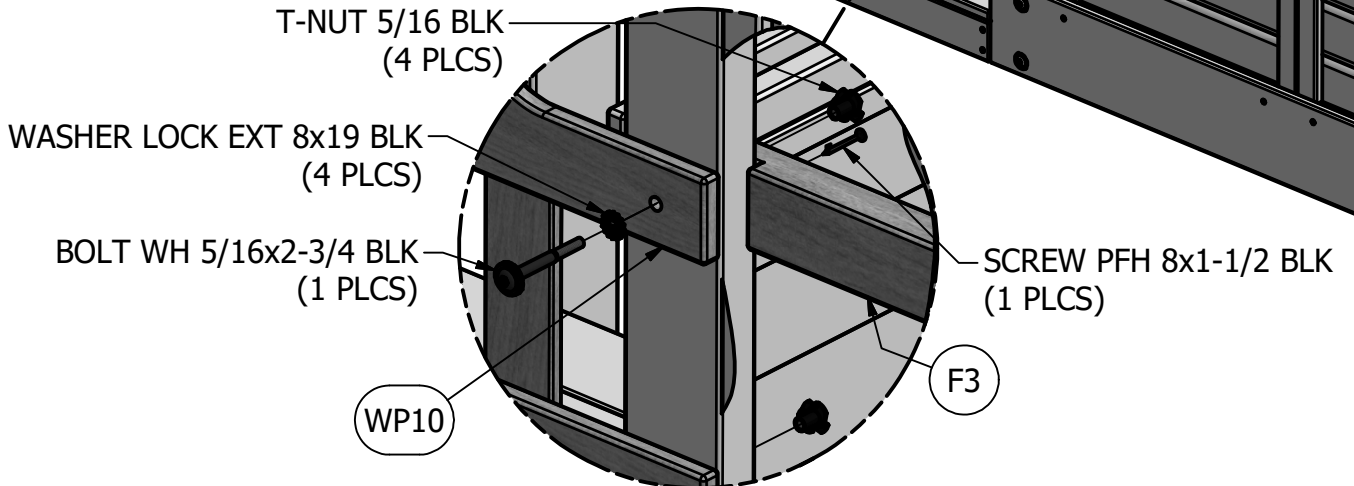


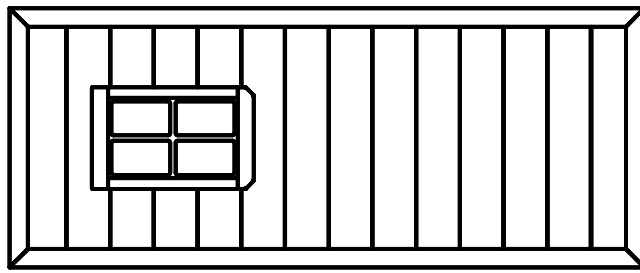
NOTE PILOT HOLES



BOLT WH 5/16x2 BLK
(3 PLCS)

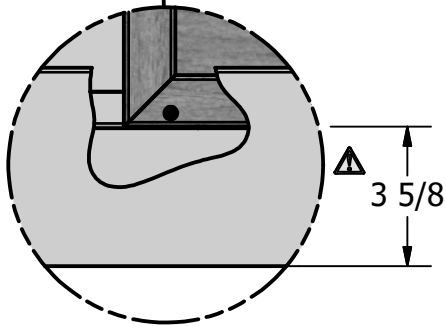
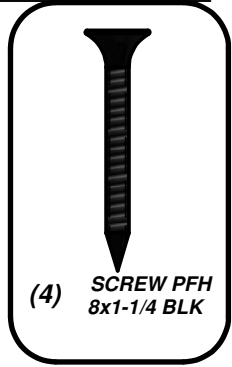
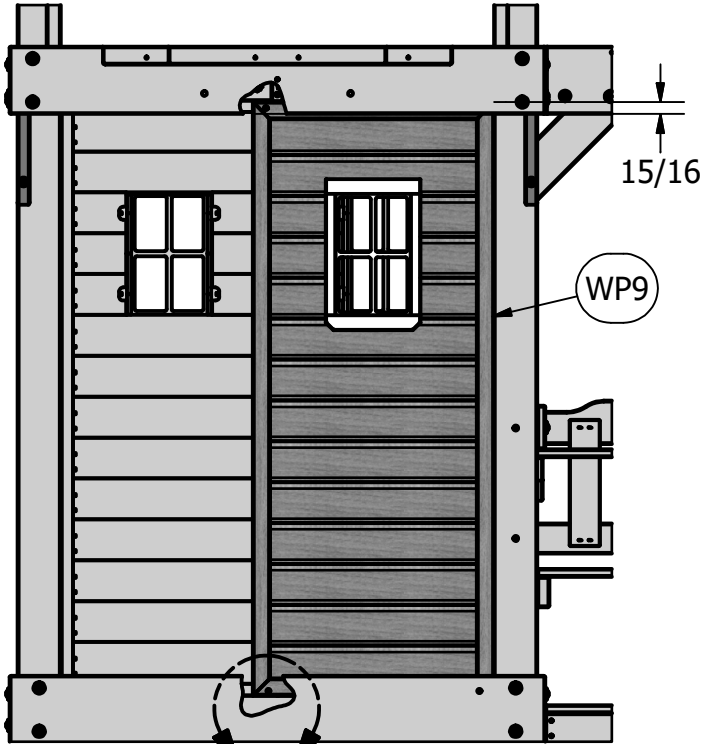
●INSTALL T-NUTS PRIOR TO ASSEMBLY



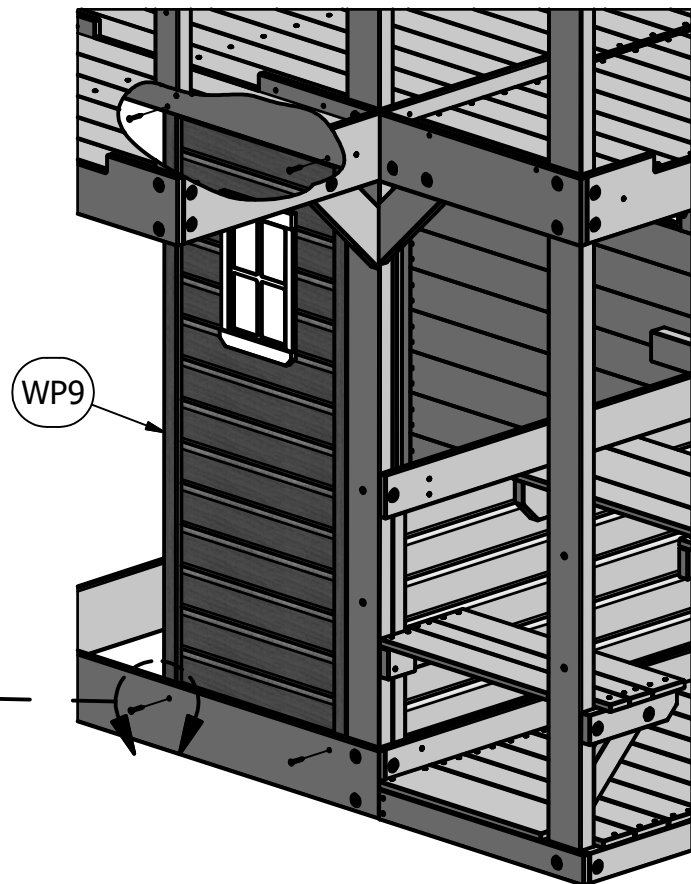
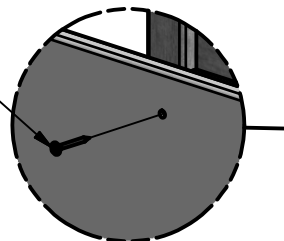


(1) WP9 - LOWER WALL PANEL - W2A02090
1"x16 7/8"x46 1/2" (24x476x1181)

STEP 30

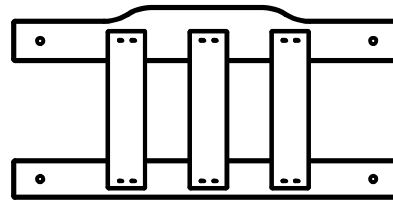


SCREW PFH 8x1-1/4 BLK
(4 PLCS)



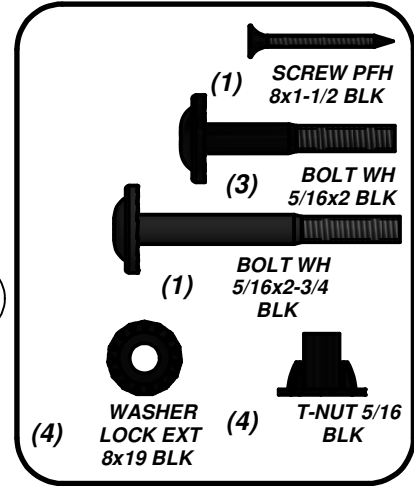
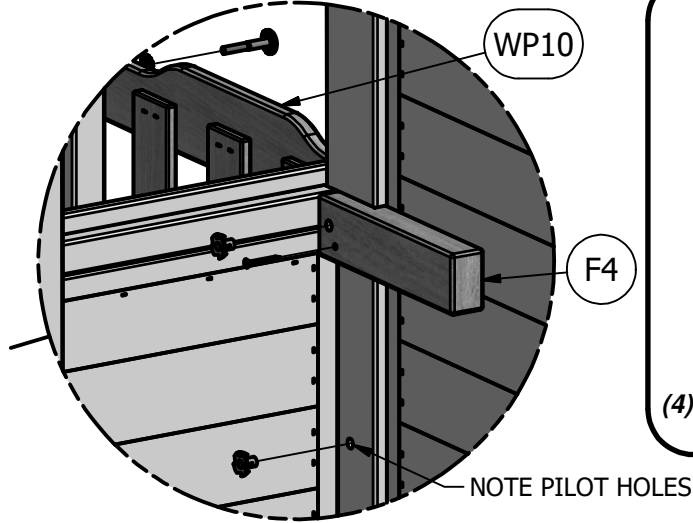
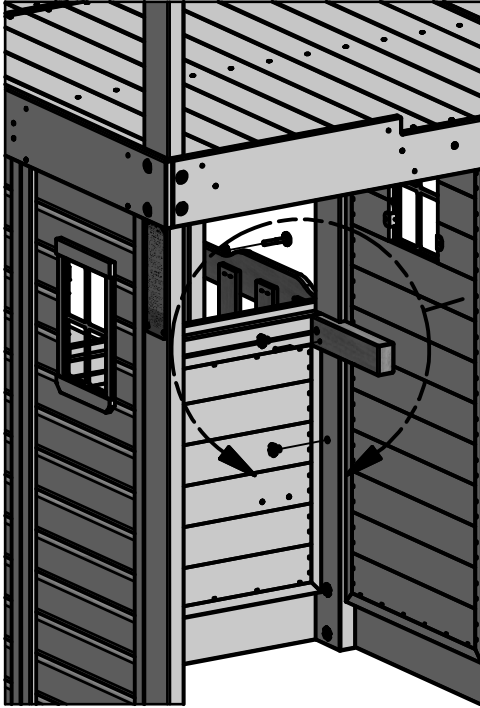


(1) **F4 - SUPPORT BLOCK - W4L11160**
 1 3/8"x2 3/8"x9 1/4" (36x60x234)

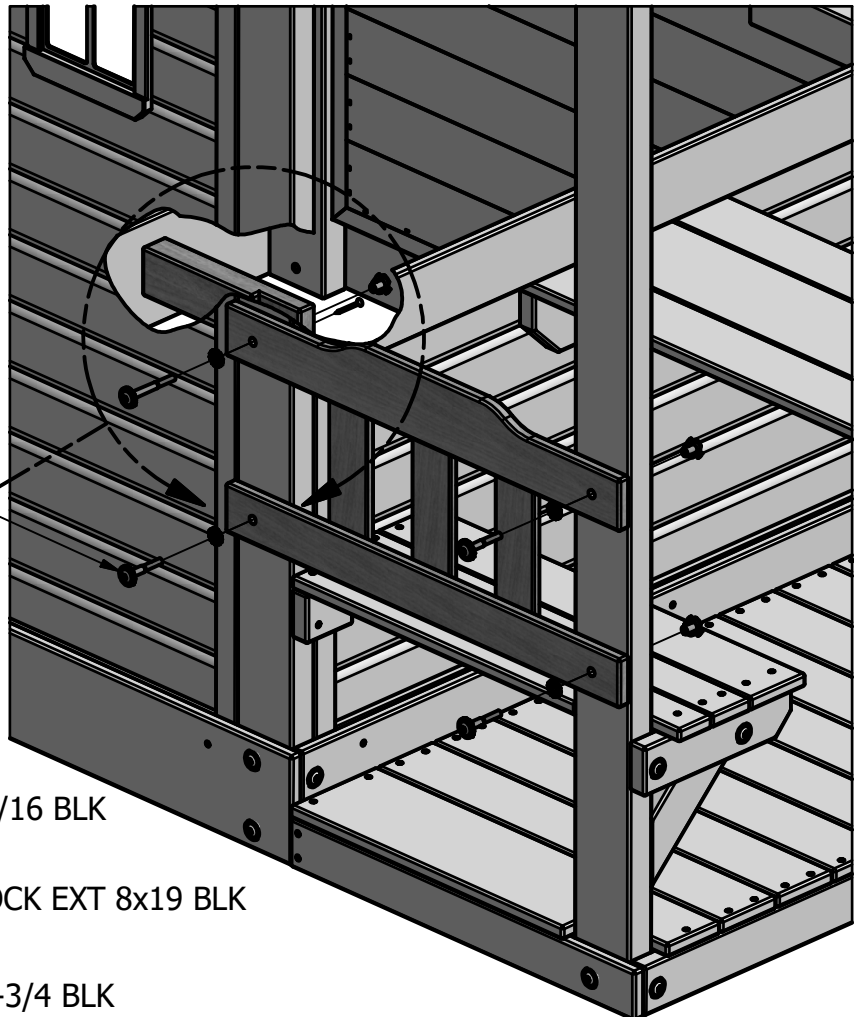


(1) **WP10 - BENCH BACK ASSEMBLY - W2A02081**
 1 1/8"x11 7/8"x17 5/8" (27x303x615)

STEP 31



•INSTALL T-NUTS PRIOR TO ASSEMBLY



BOLT WH 5/16x2 BLK
(3 PLCS)

SCREW PFH 8x1-1/2 BLK
(1 PLCS)

F4

WP10

T-NUT 5/16 BLK
(4 PLCS)

WASHER LOCK EXT 8x19 BLK
(4 PLCS)

BOLT WH 5/16x2-3/4 BLK
(1 PLCS)

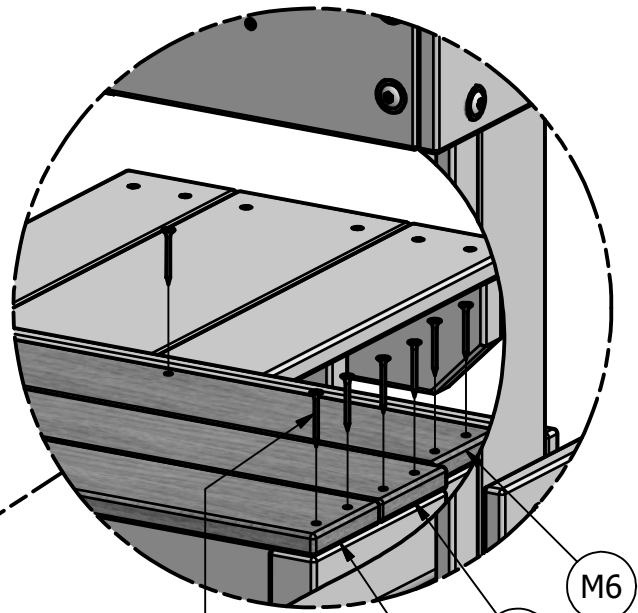
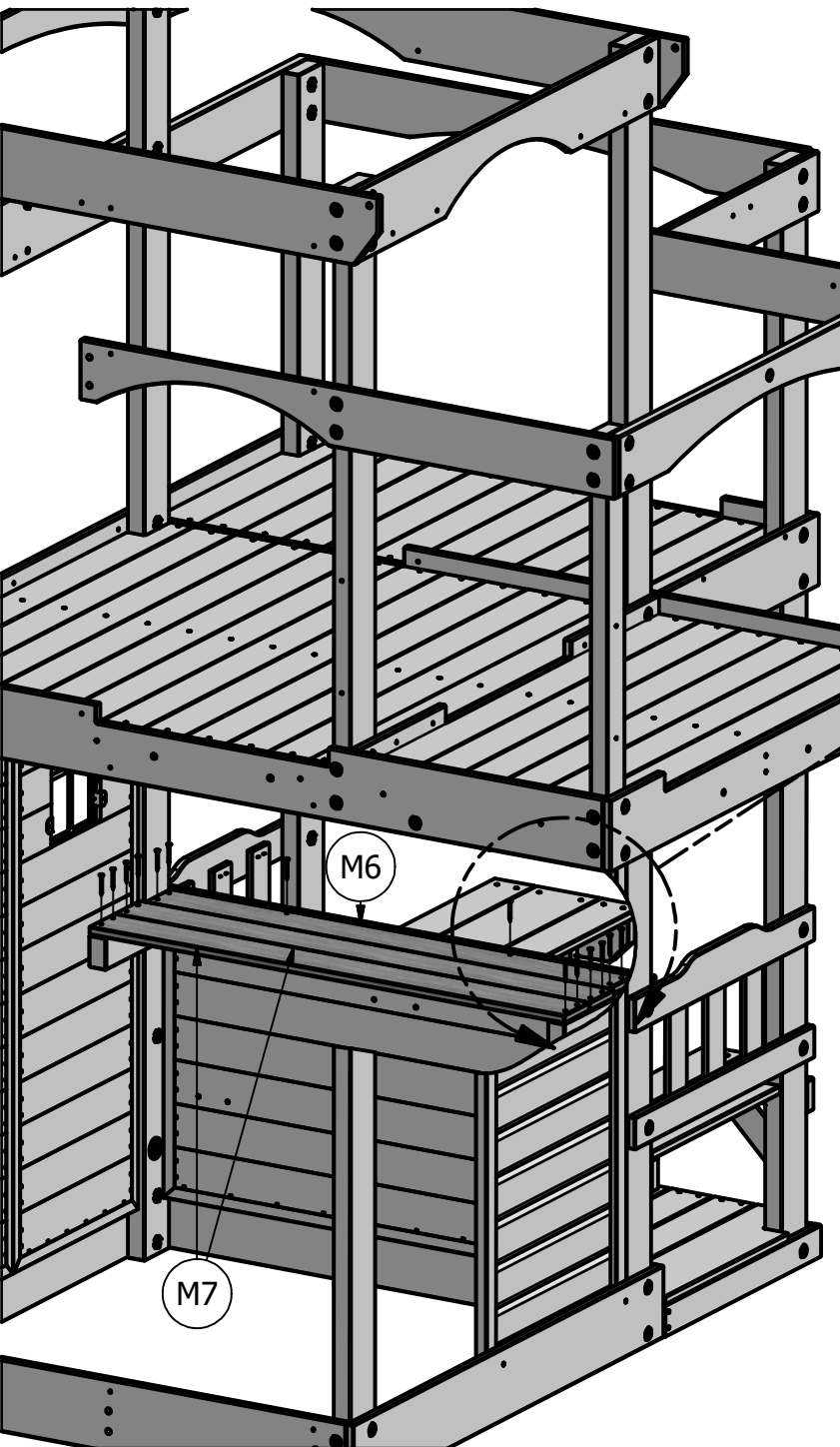
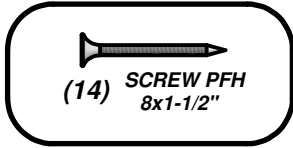


(1) M6 - COUNTER TOP - W4L07605
5/8"x3 3/8"x37 5/8" (16x86x957)

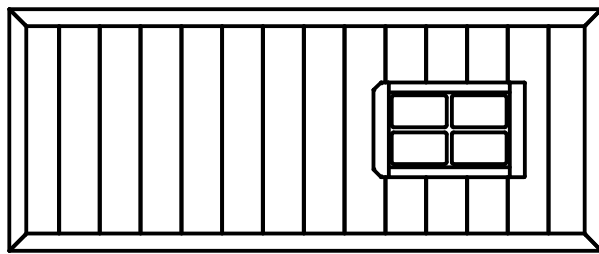


(2) M7 - COUNTER TOP - W4L07606
5/8"x3 3/8"x38 5/8" (16x86x981)

STEP 32

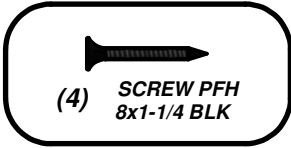
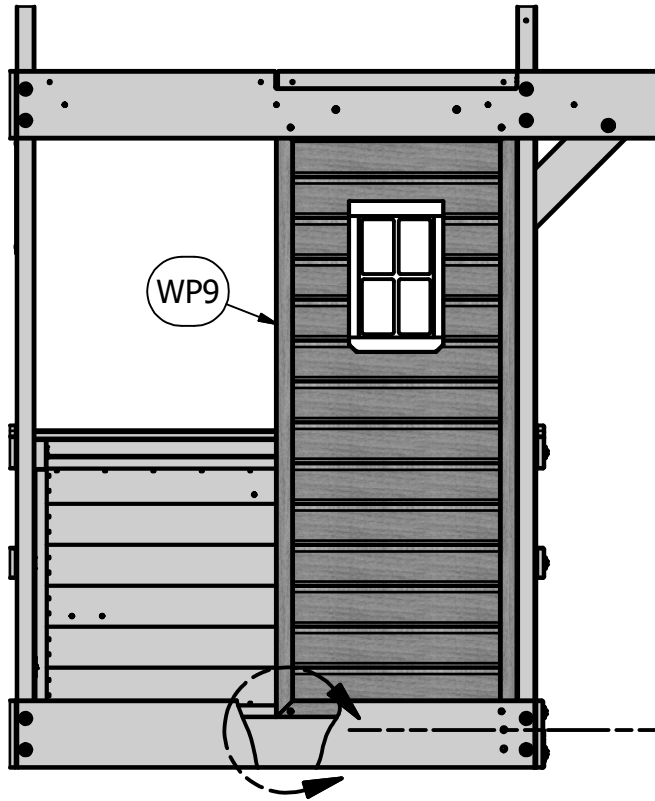


SCREW PFH 8x1-1/2"
(14 PLCS)

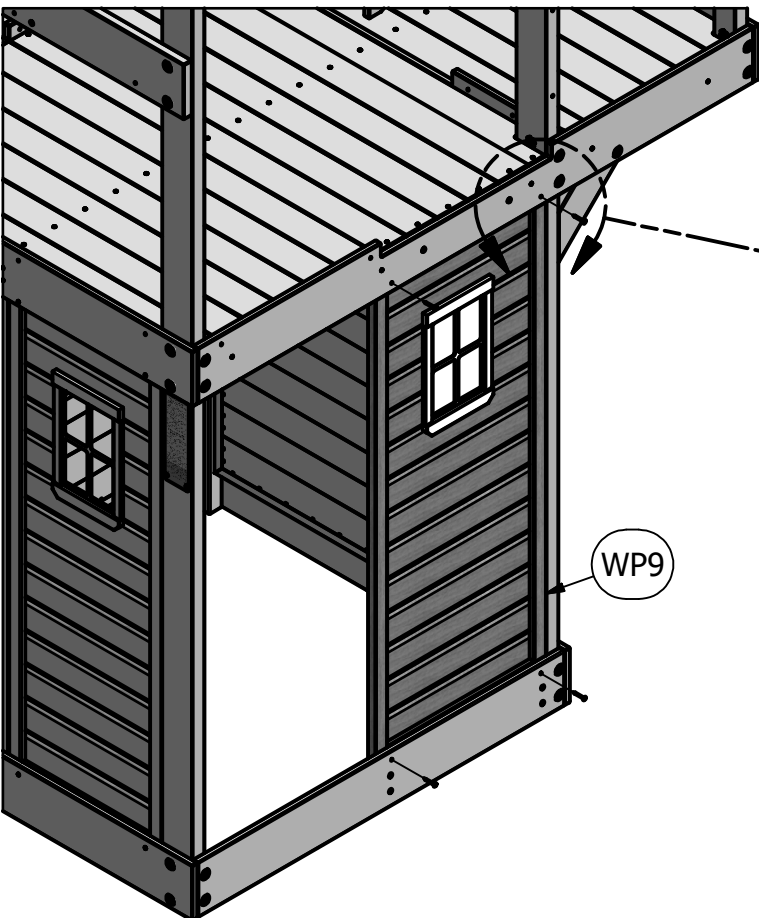


(1) WP9 - LOWER WALL PANEL - W2A02090
1"x18 7/8"x46 1/4" (24x479x1176)

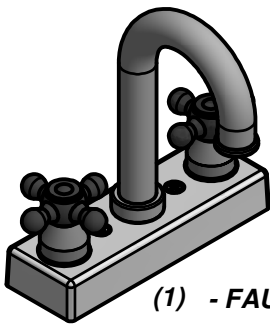
STEP 33



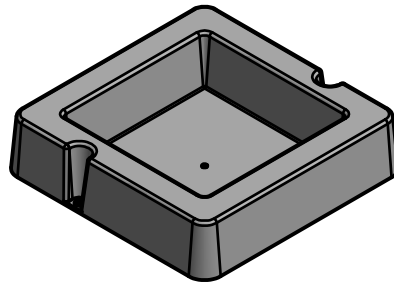
3 15/16



SCREW PFH 8x1-1/4 BLK
(4 PLCS)

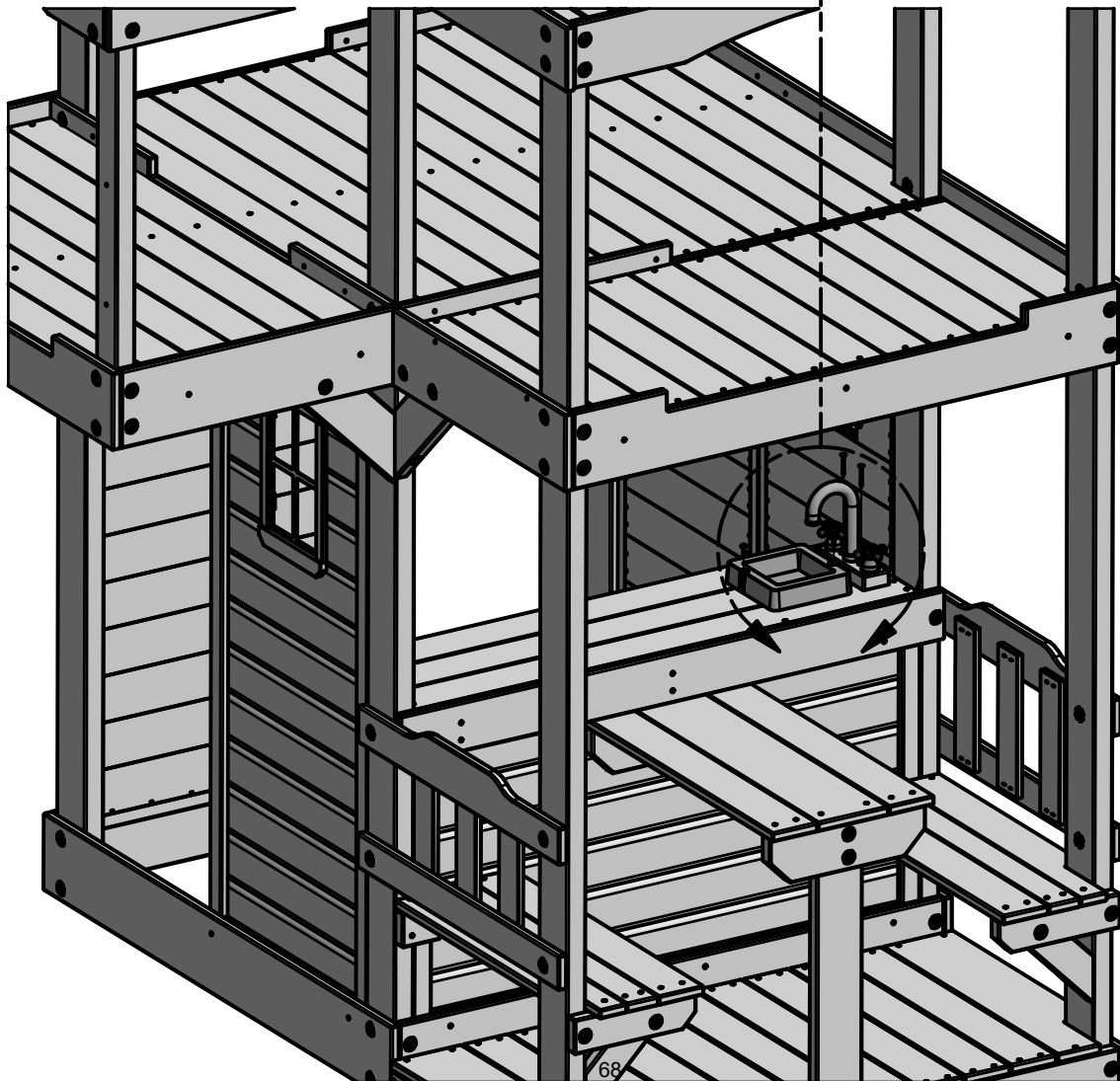
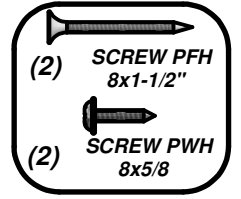
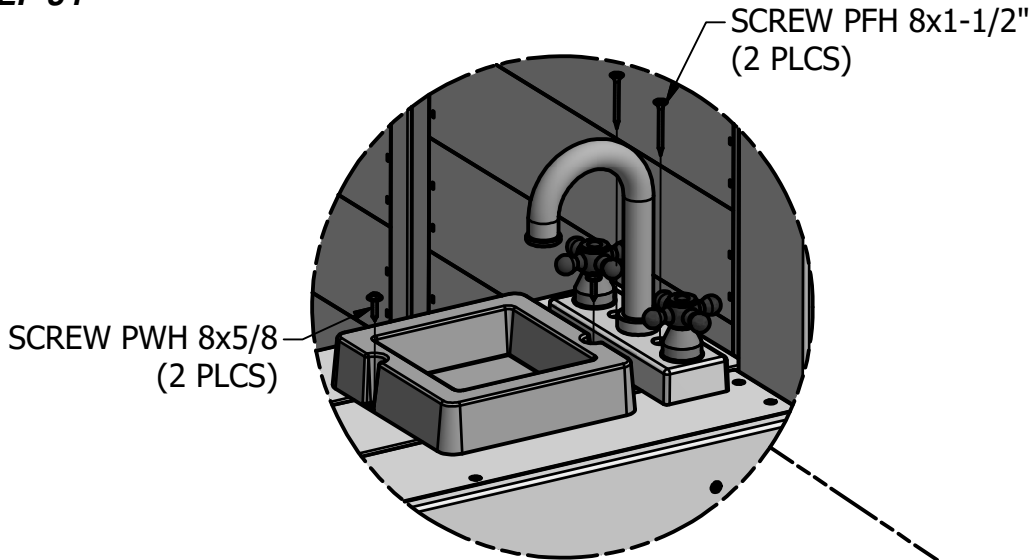


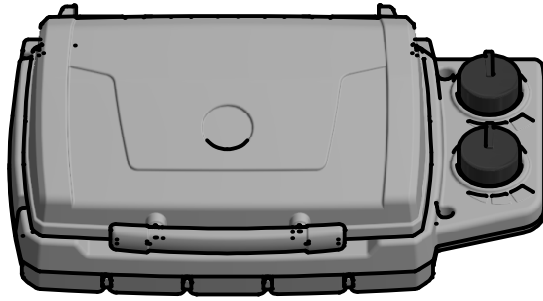
(1) - FAUCET KIT - A6P00024



(1) - SURFACE MOUNT BASIN - A6P00032

STEP 34

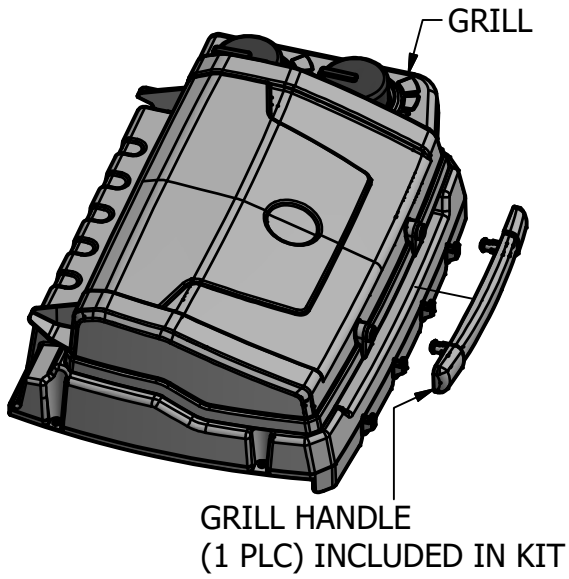




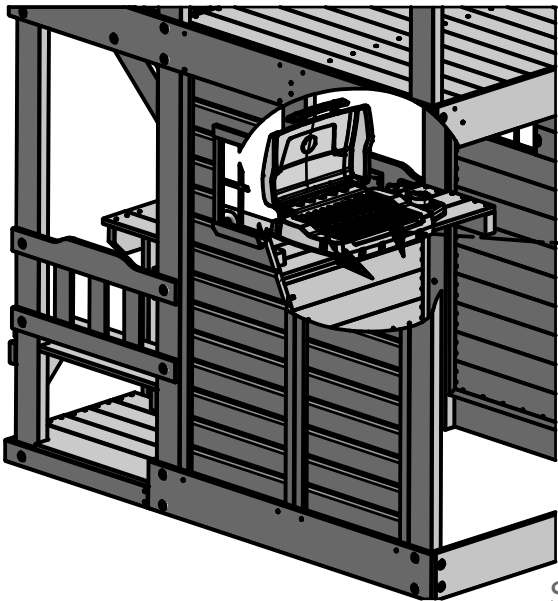
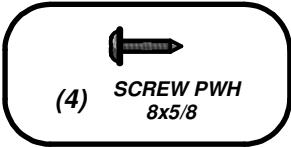
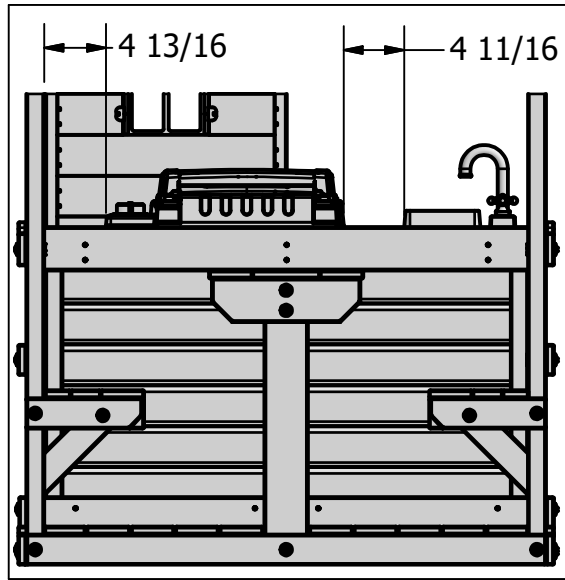
(1) GRILL - A6P00282

STEP 35

HANDLE ASSEMBLY

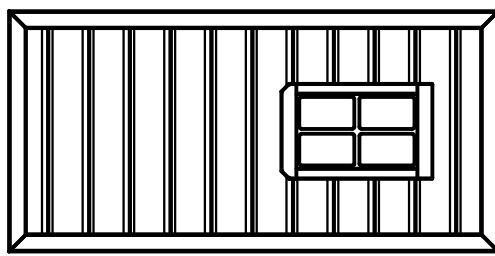


GRILL LOCATION



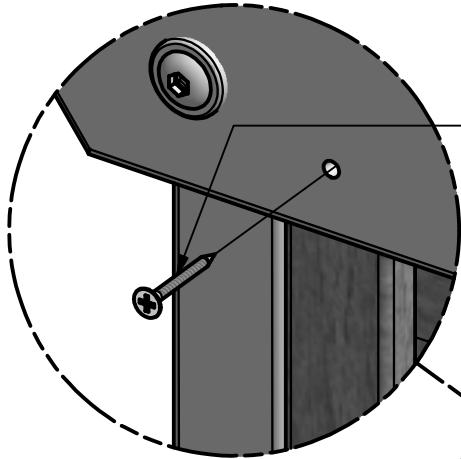
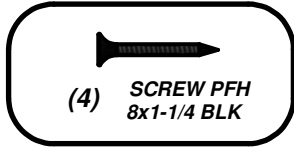
SCREW PWH 8x5/8
(4 PLCS)

NOTE: GRILL LIP SHOULD BE TOUCHING COUNTER TOP EDGE.



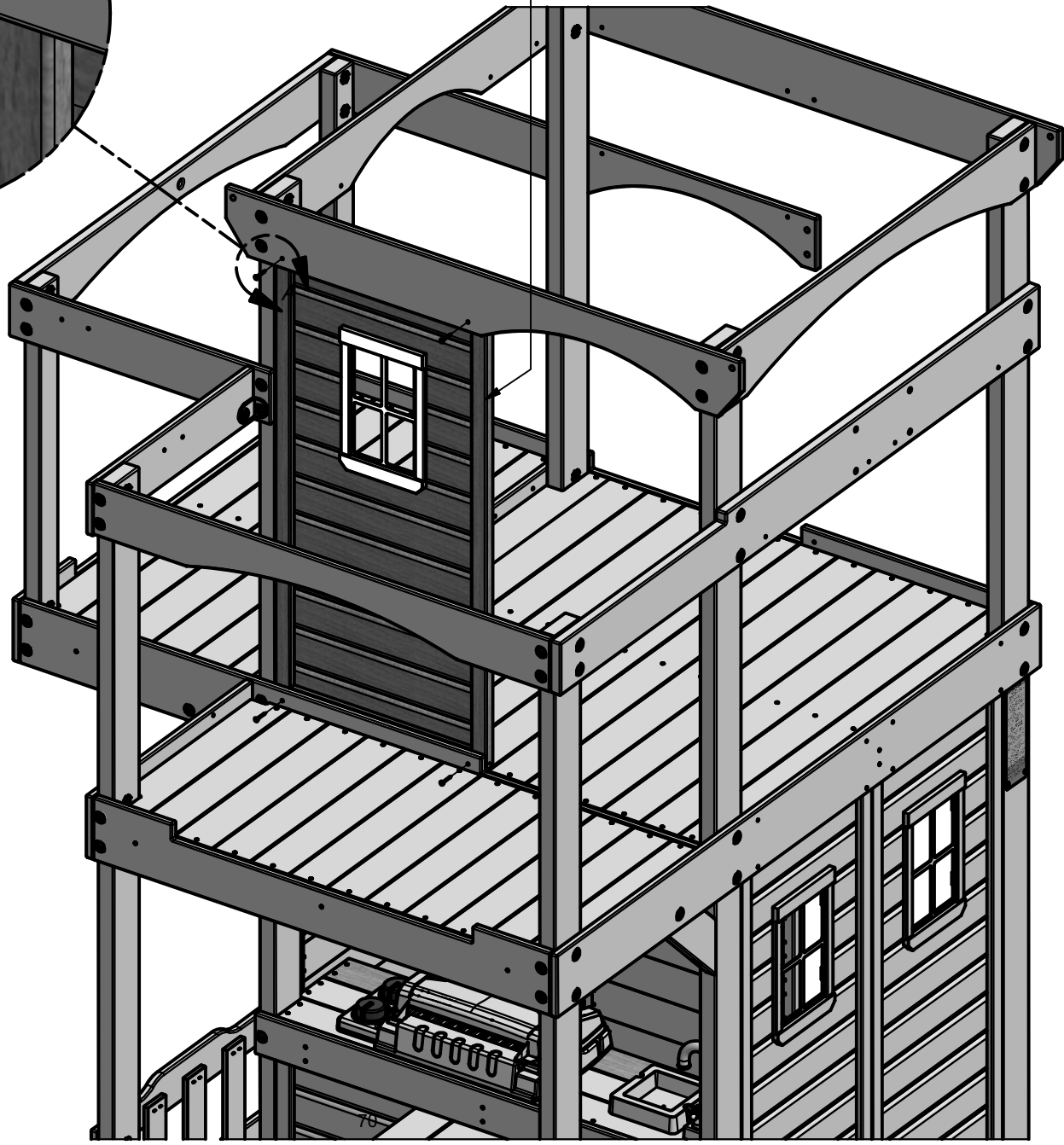
(1) WP7 - TOP FRONT WALL PANEL - W2A02088
1"x16 7/8"x38 1/4" (24x476x971)

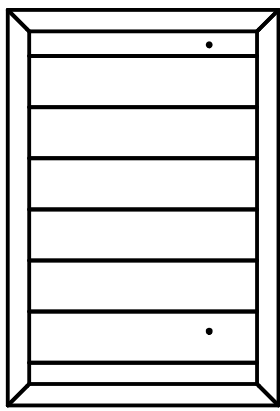
STEP 36



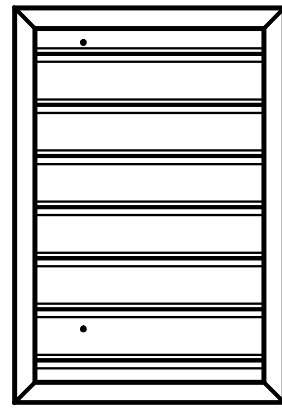
SCREW PFH 8x1-1/4 BLK
(4 PLCS)

WP7



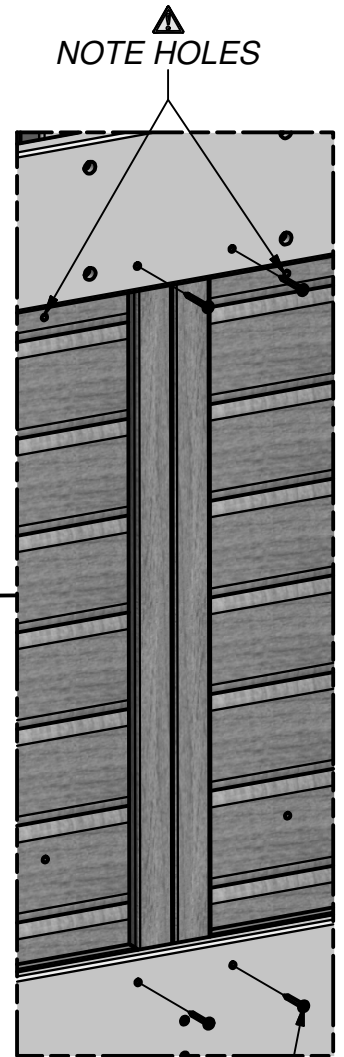
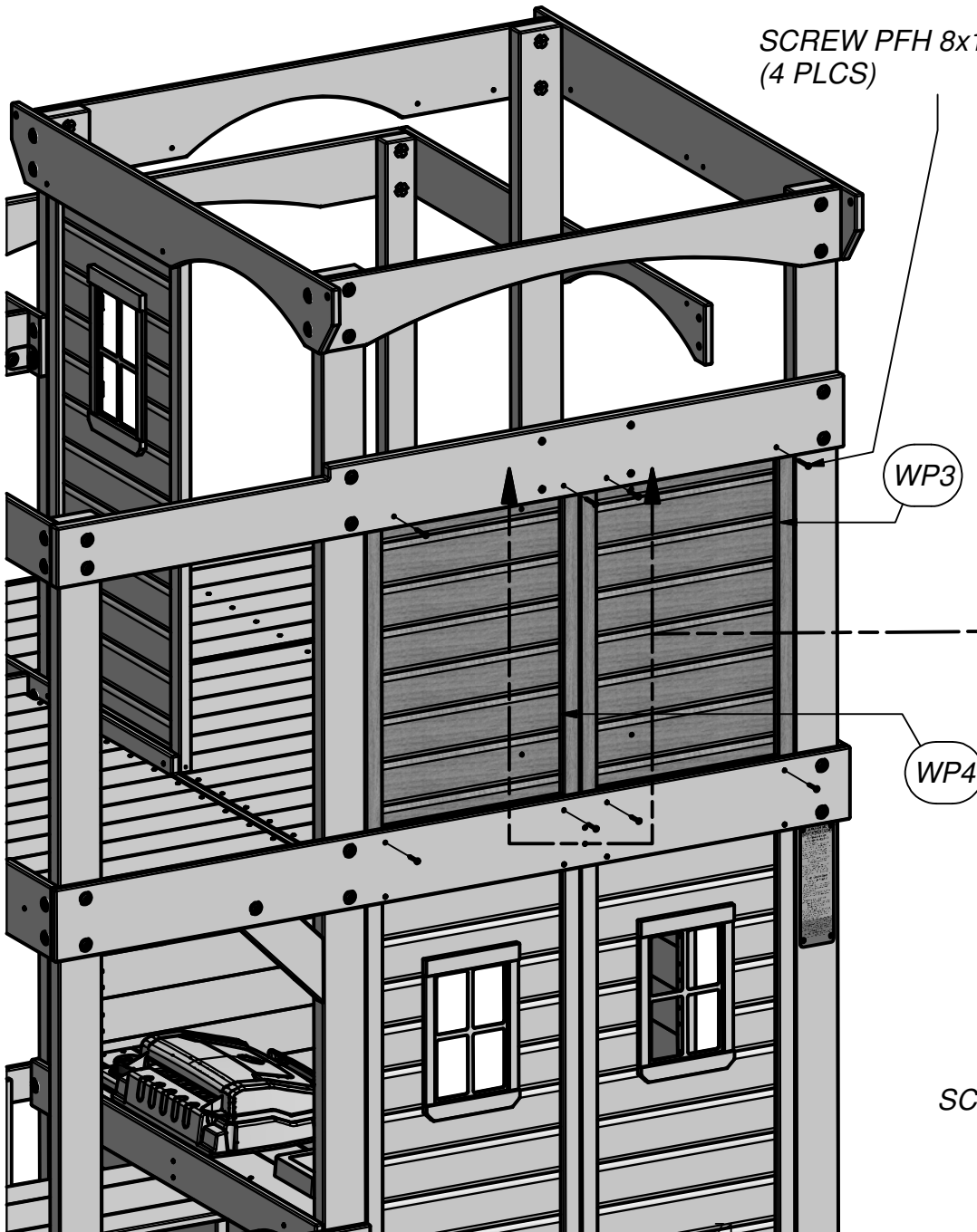
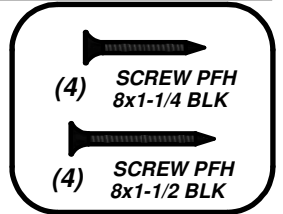


(1) WP4 - TOP RIGHT FRONT WALL PANEL - W2A02498
1"x16 7/8"x24 5/8" (24x430x627)

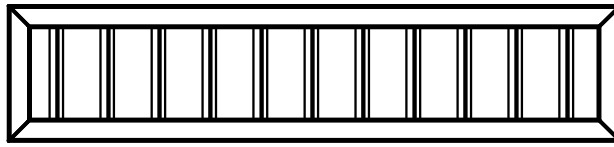


(1) WP3 - TOP RIGHT FRONT WALL PANEL - W2A02497
1"x16 7/8"x24 5/8" (24x430x627)

STEP 37

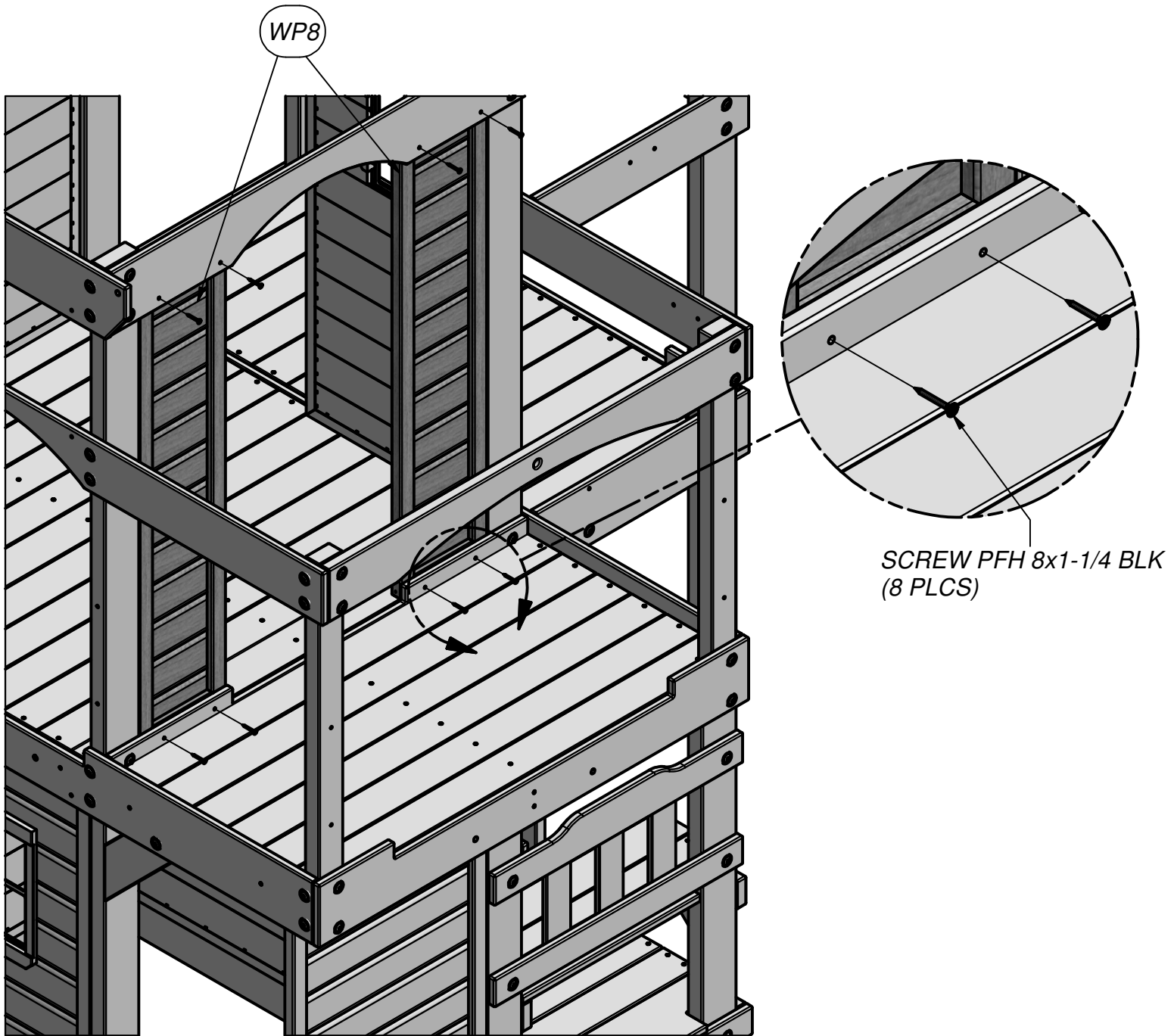
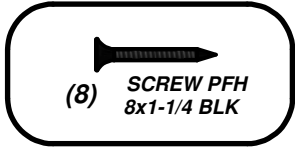


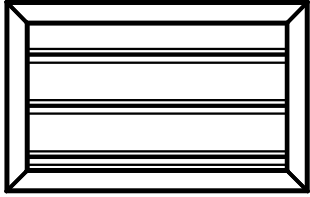
SCREW PFH 8x1-1/4 BLK
(4 PLCS)



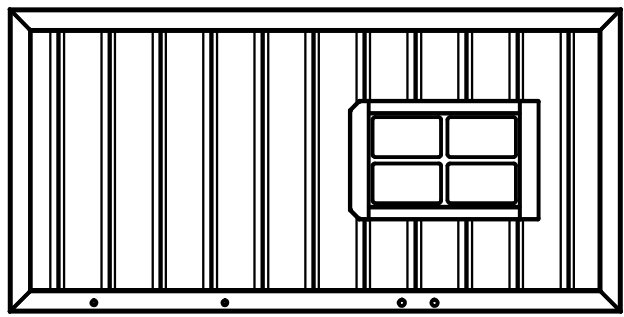
(2) WP8 - TOP LEFT WALL PANEL - W2A02089
1"x11 3/4"x38 1/4" (24x214x971)

STEP 38



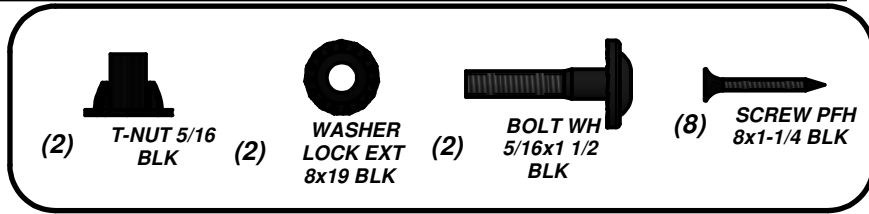


(1) WP6 - TOP REAR WALL PANEL - W2A02087
1"x18 7/8"x11 3/4" (24x479x300)



(1) WP5 - TOP LEFT REAR WALL PANEL - W2A02086
1"x16 7/8"x46 1/2" (24x430x971)

STEP 39



WASHER LOCK EXT 8x19 BLK
(2 PLCS)

T-NUT 5/16 BLK
(2 PLCS)

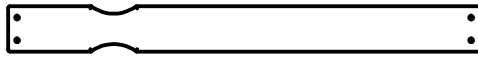
BOLT WH 5/16x1 1/2 BLK
(2 PLCS)

SCREW PFH 8x1-1/4 BLK
(8 PLCS)

WP6

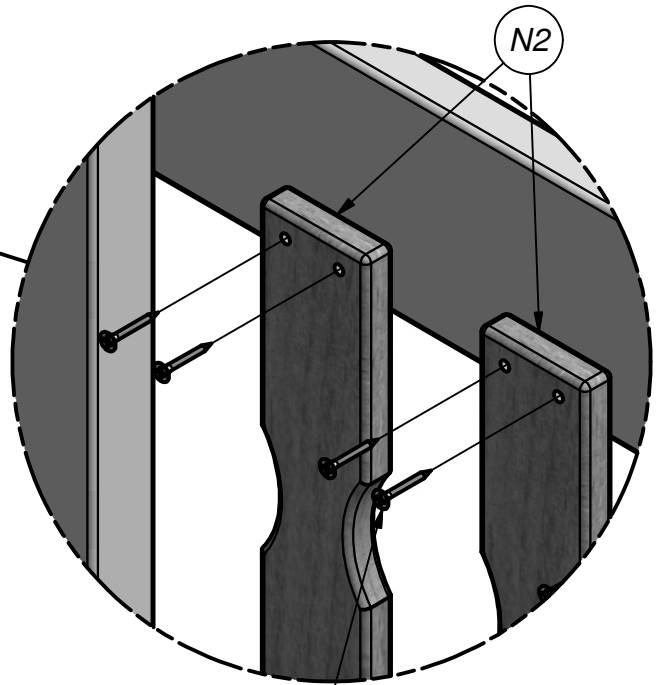
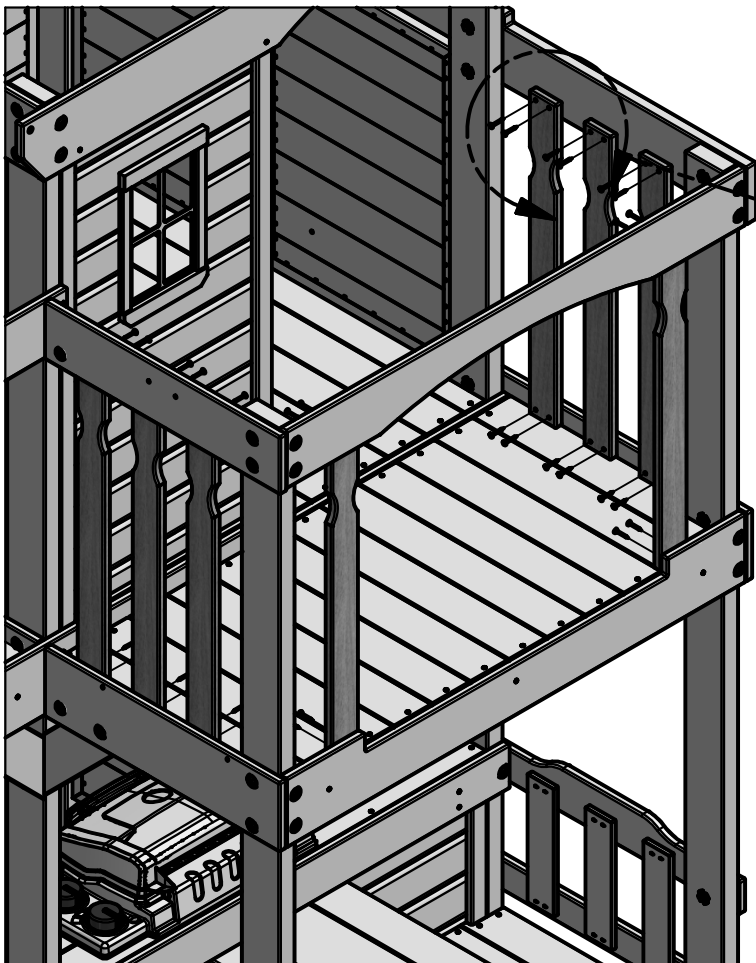
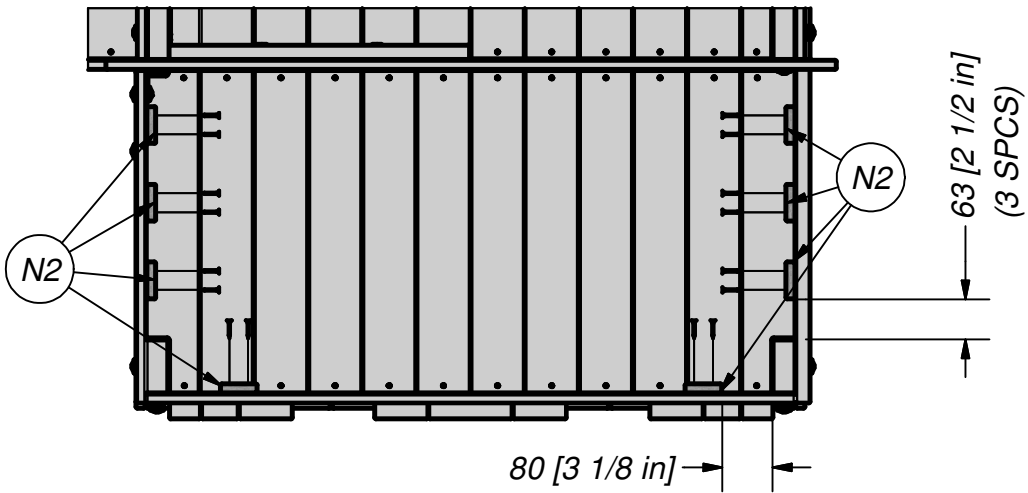
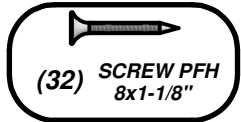
WP5

NOTE HOLES

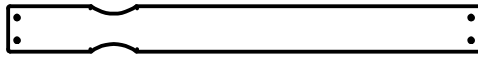


(8) N2 - PICKET - W4L07612
5/8"x2 3/8"x24 3/4" (16x60x628)

STEP 40

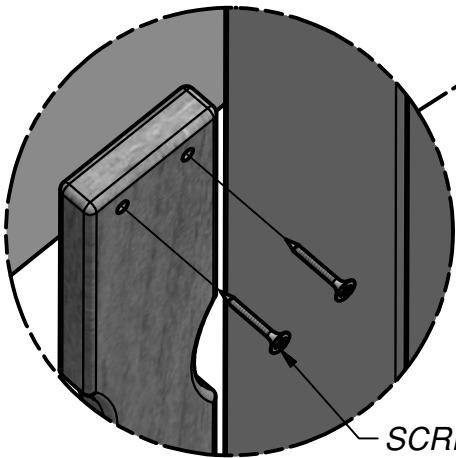
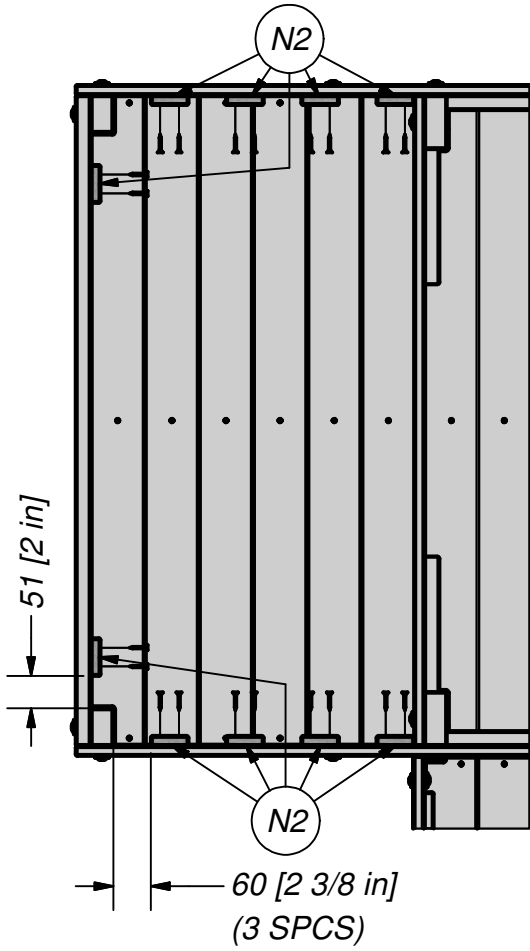
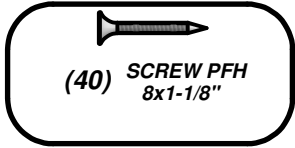


SCREW PFH 8x1-1/8"
(32 PLCS)

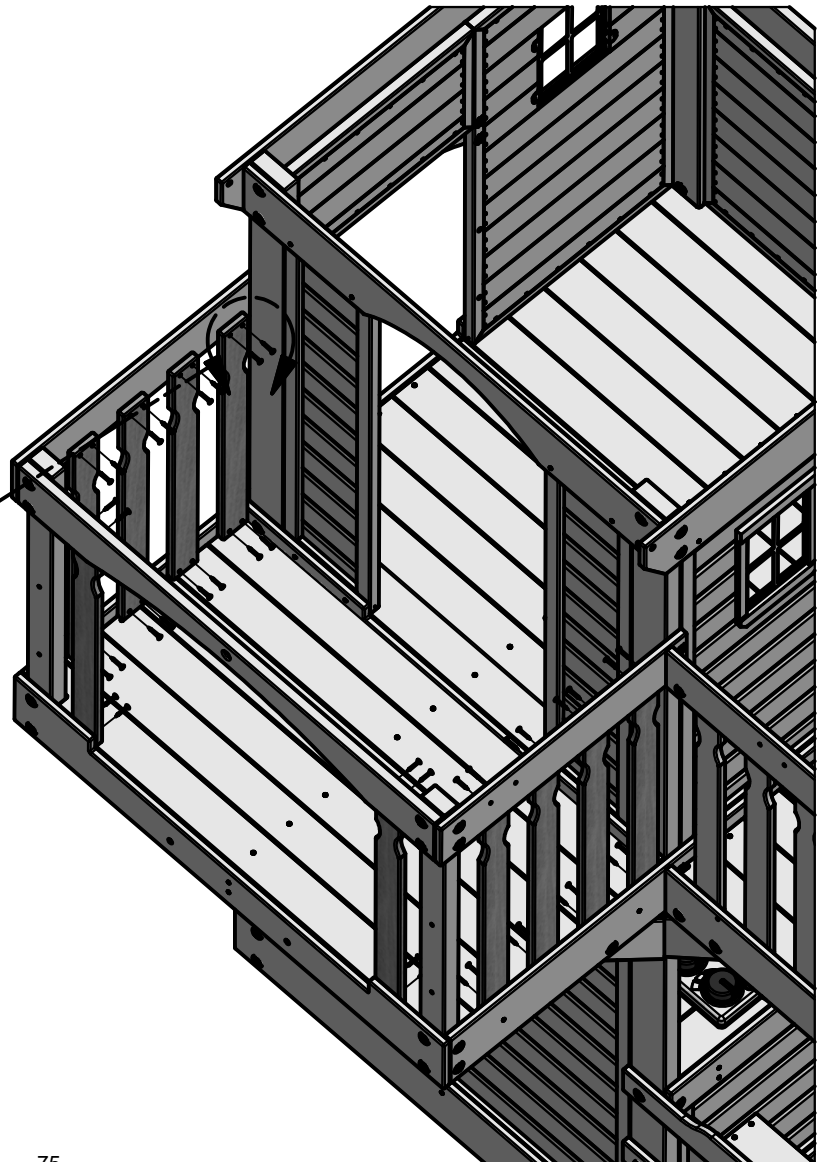


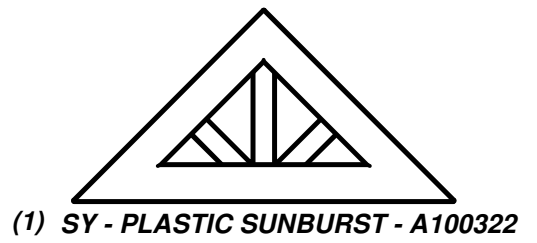
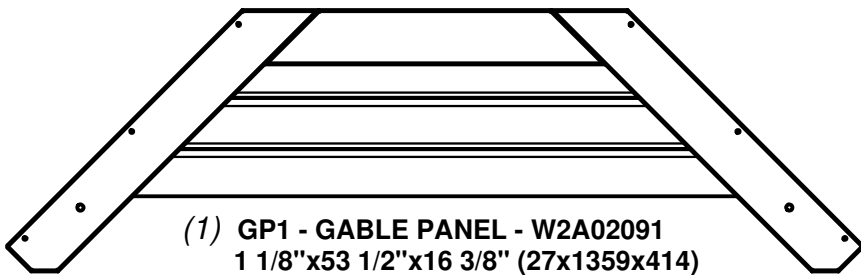
(10) N2 - PICKET - W4L07612
5/8"x2 3/8"x24 3/4" (16x60x628)

STEP 41

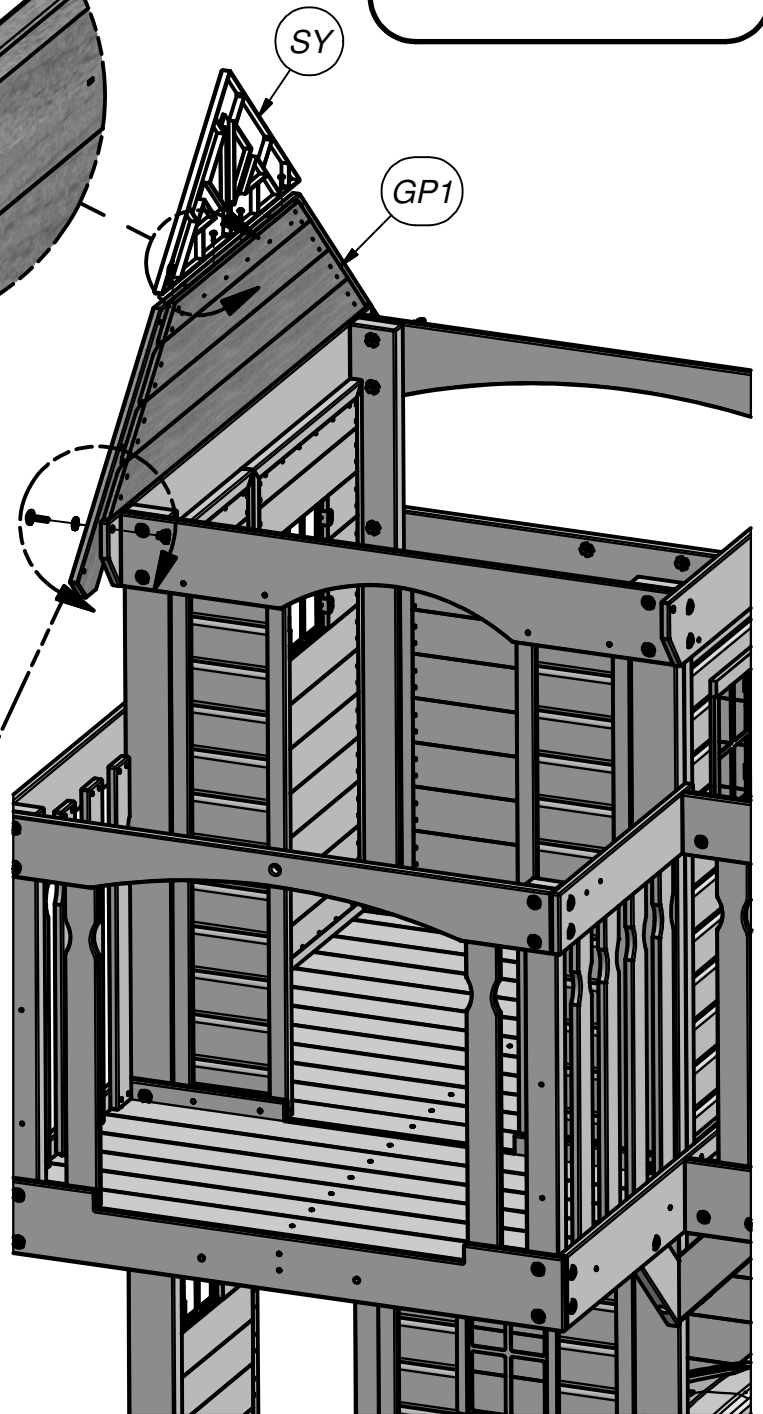
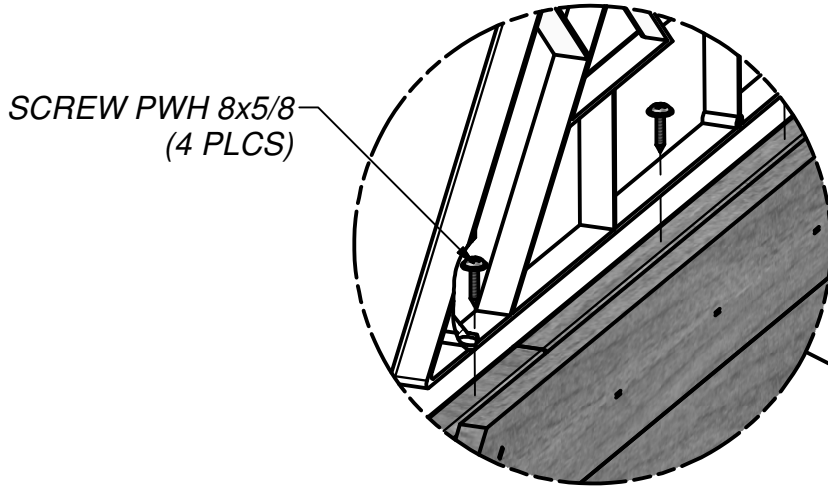
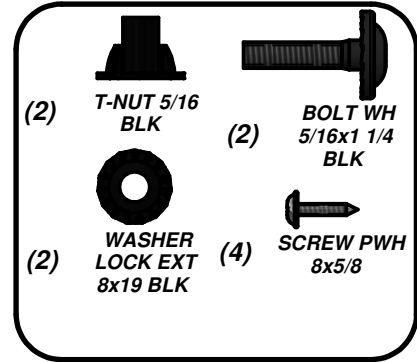


SCREW PFH 8x1-1/8"
(40 PLCS)





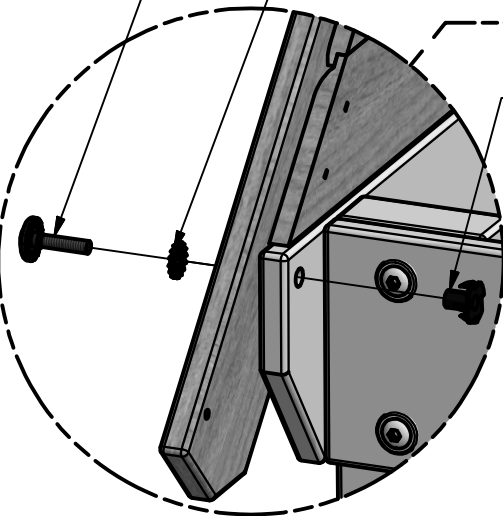
STEP 42

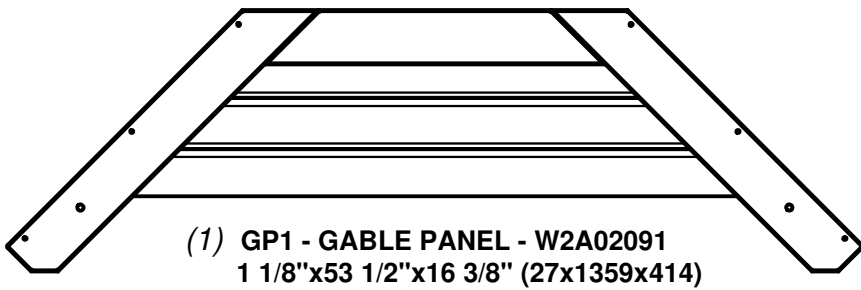


BOLT WH 5/16x1 1/4 BLK
(2 PLCS)

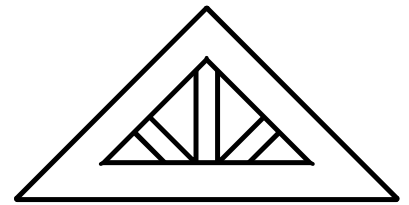
WASHER LOCK EXT 8x19 BLK
(2 PLCS)

T-NUT 5/16 BLK
(2 PLCS)



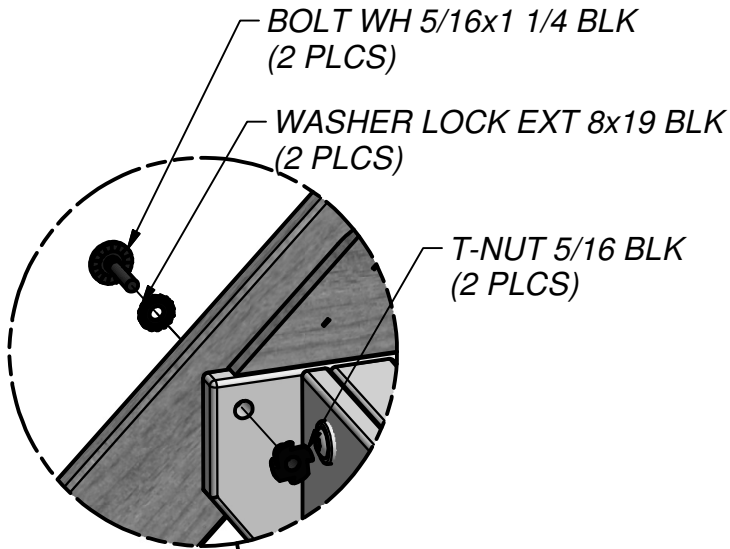
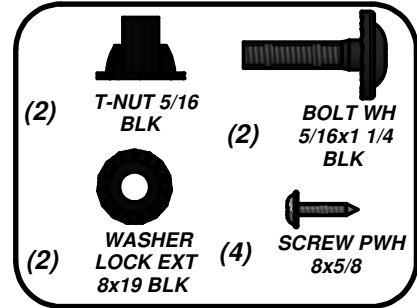


(1) GP1 - GABLE PANEL - W2A02091
1 1/8"x53 1/2"x16 3/8" (27x1359x414)

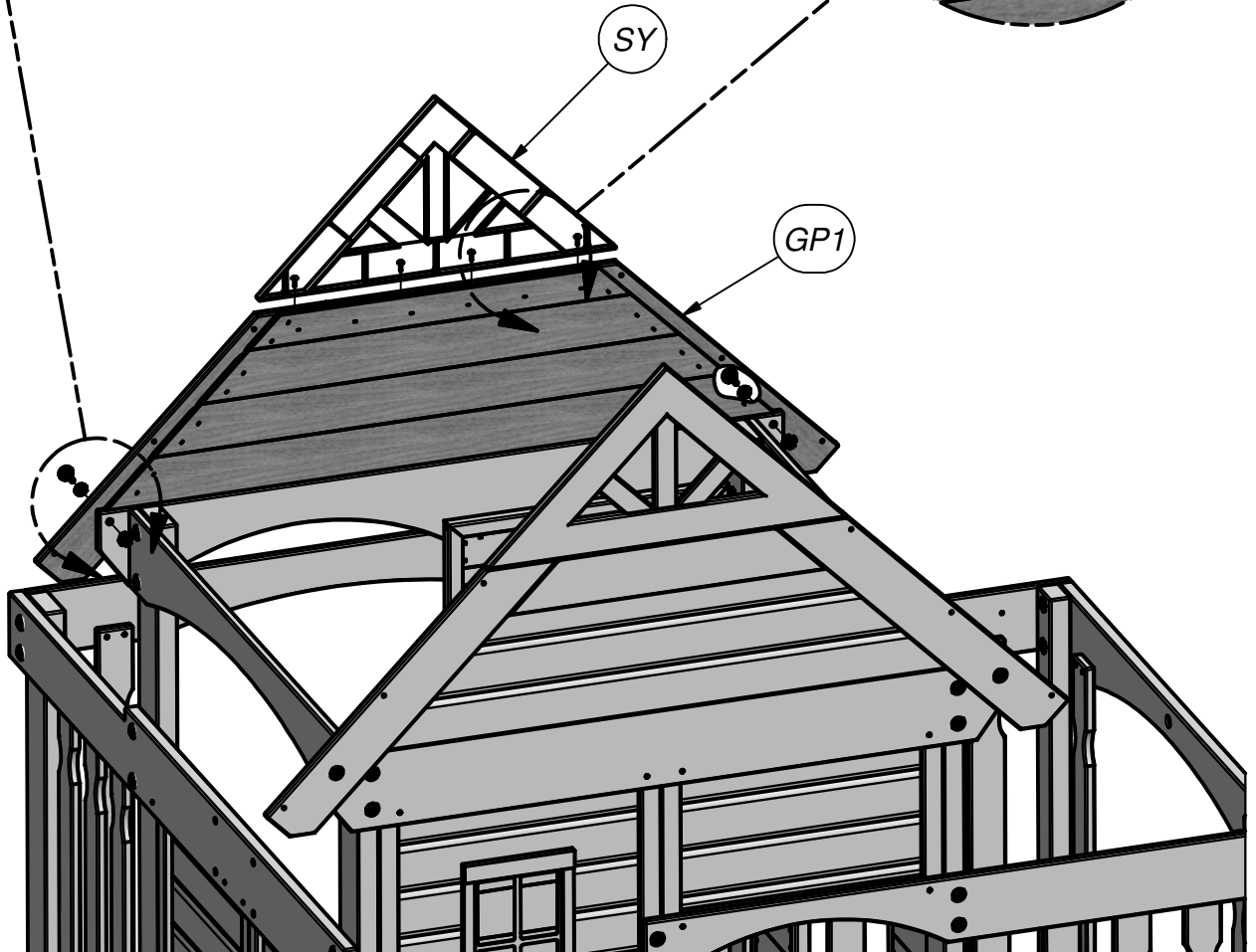
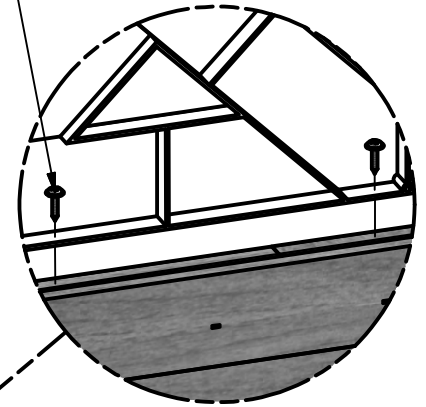


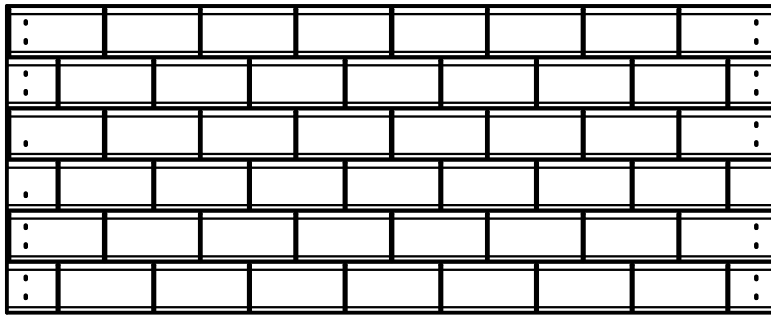
(1) SY - PLASTIC SUNBURST - A100322

STEP 43



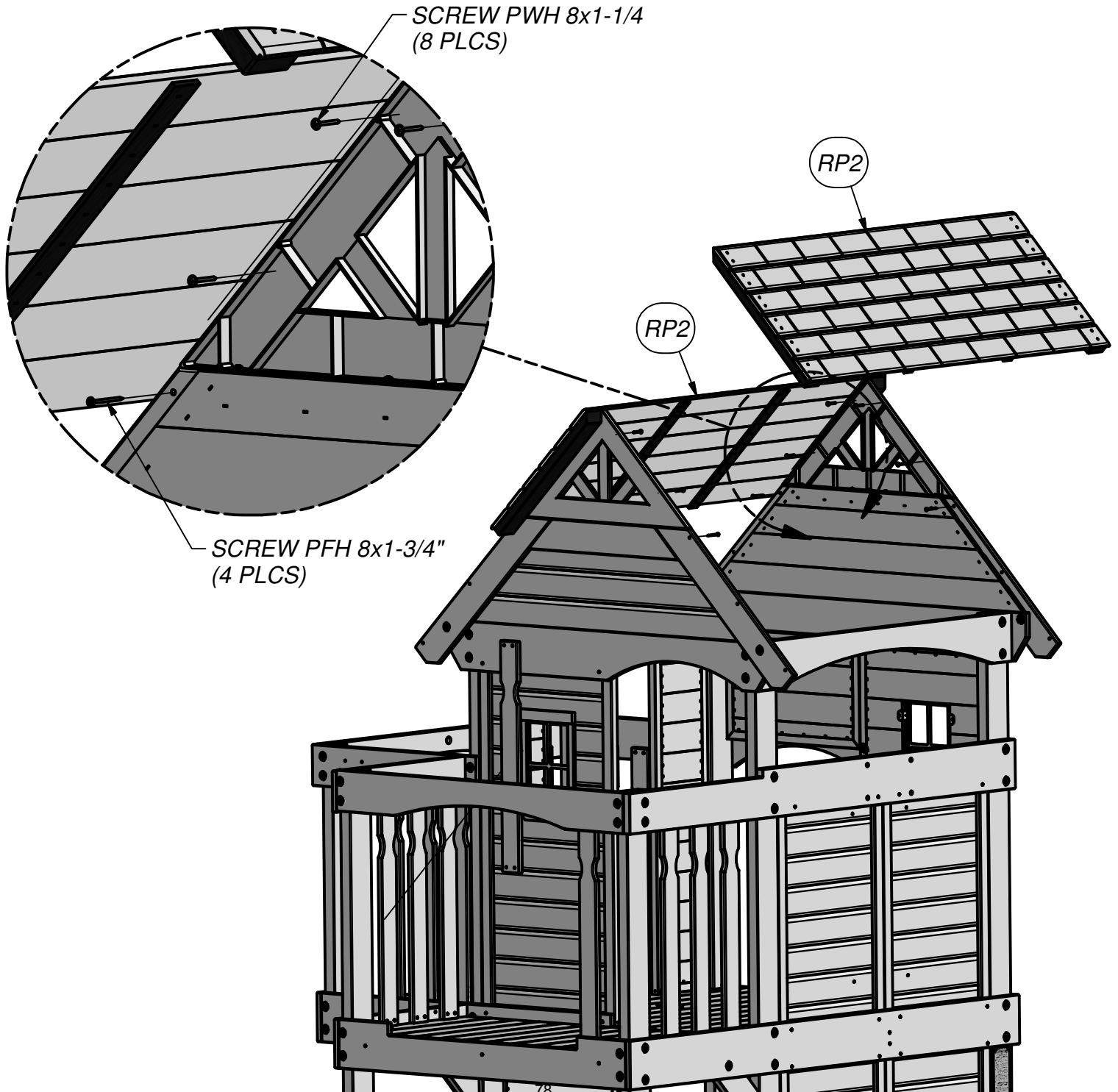
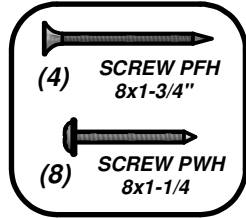
SCREW PWH 8x5/8
(4 PLCS)

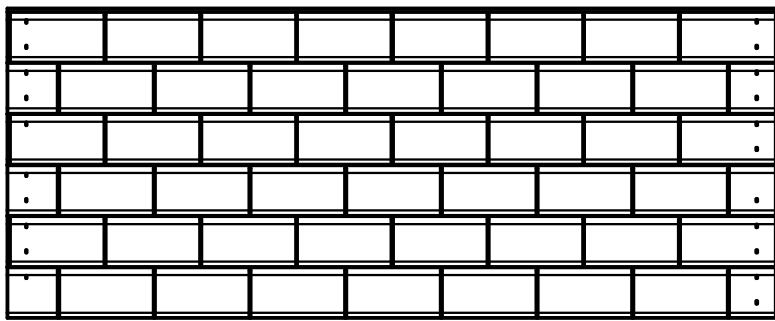




(2) RP2 - TOP ROOF PANEL - W2A02495
1 3/8"x48"x19 1/8" (35x1220x486)

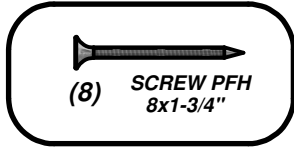
STEP 44





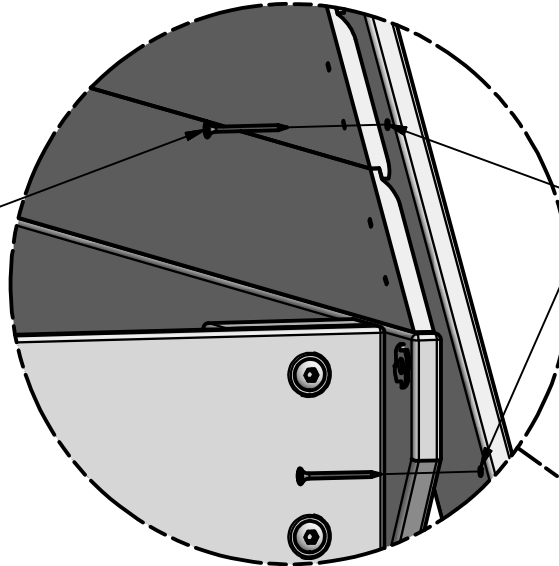
(2) RP1 - BOTTOM ROOF PANEL - W2A02494
1 3/8"x48"x19 3/8" (35x1220x491)

STEP 45



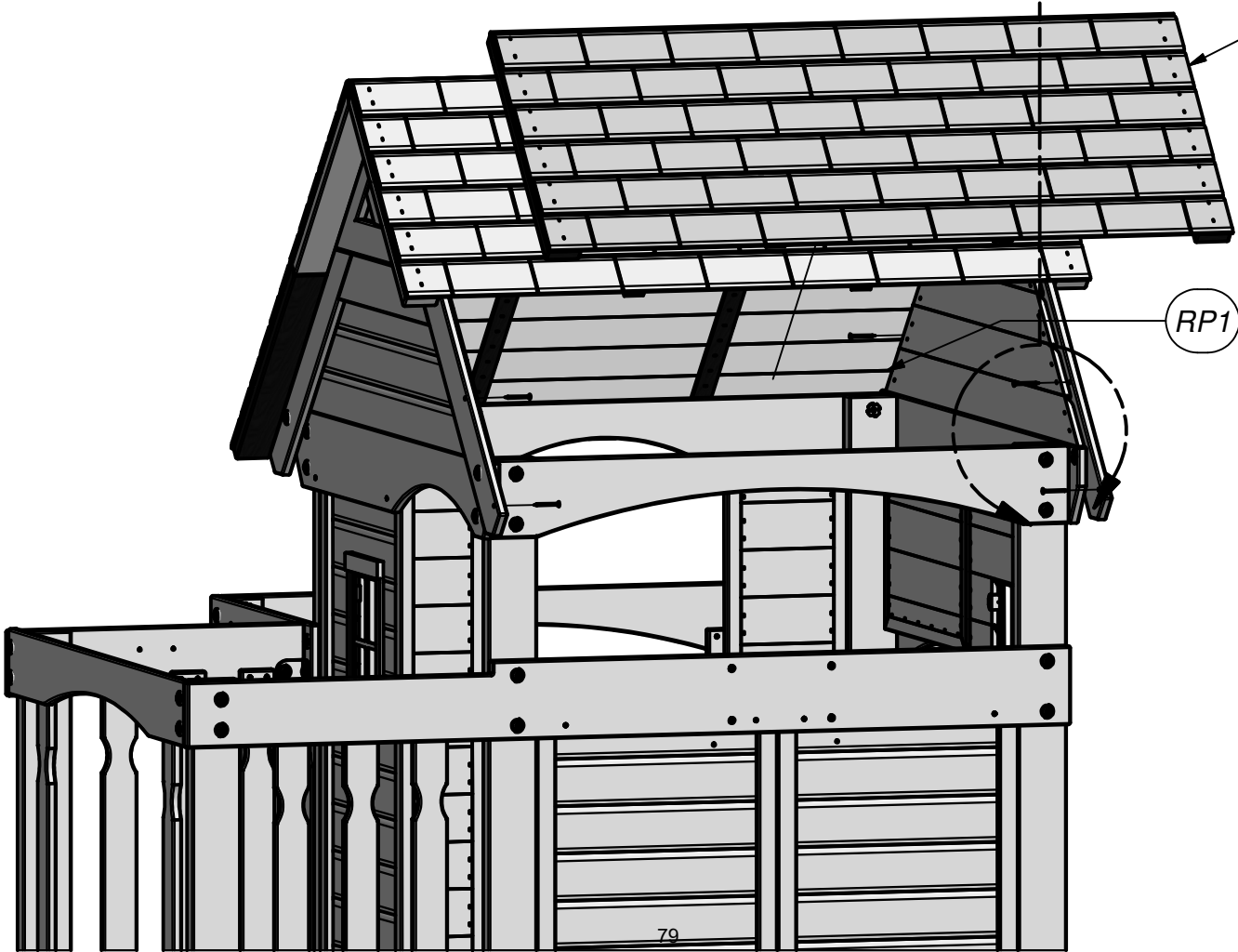
SCREW PFH 8x1-3/4"
(8 PLCS)

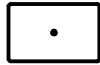
NOTE HOLES



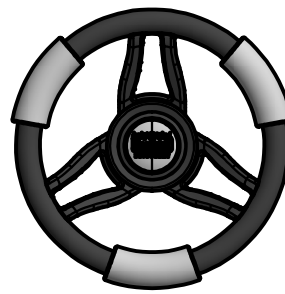
RP1

RP1



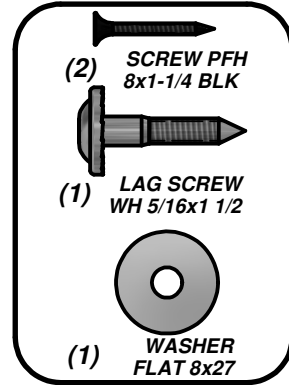
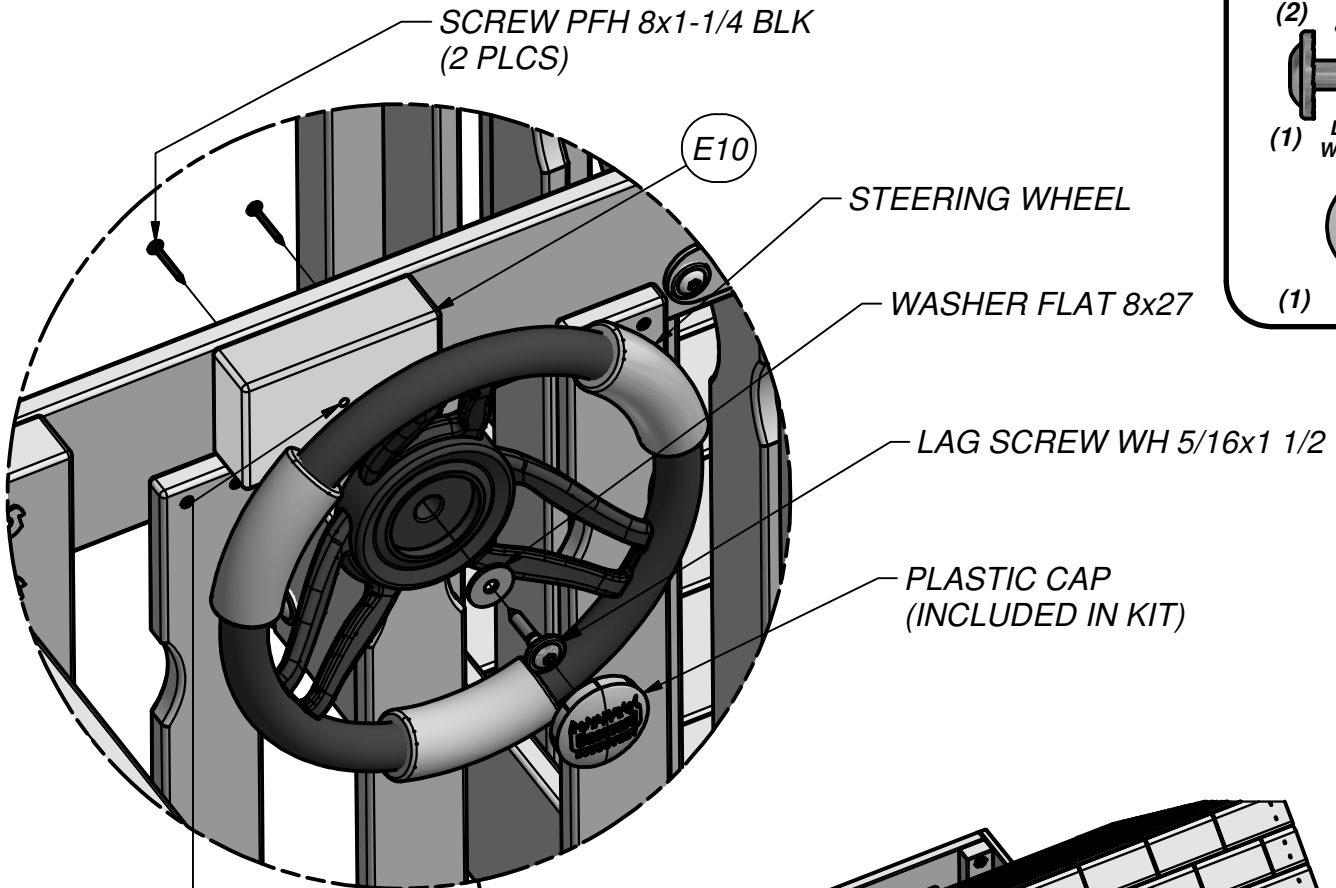


(1) **E10 - MOUNTING BLOCK - W4L11155**
 1 3/8"x3"x4 3/4" (36x76x120)

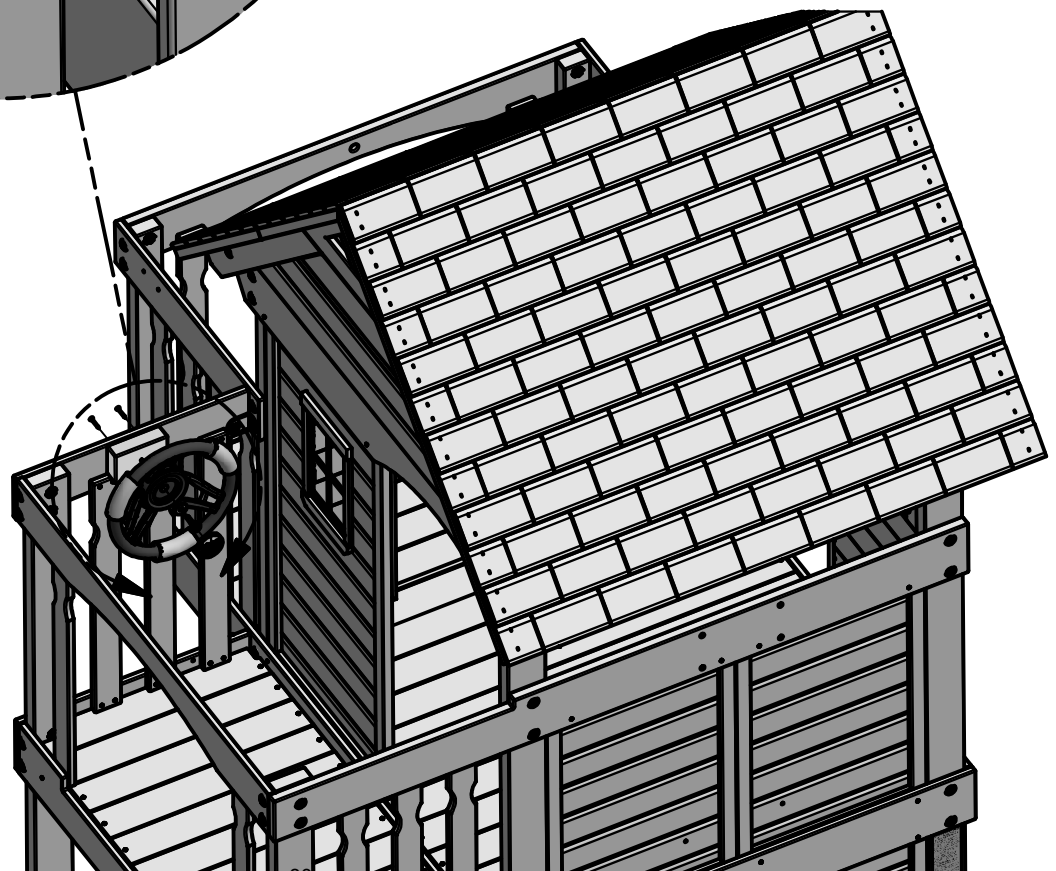


(1) **LP - STEERING WHEEL - A100105**

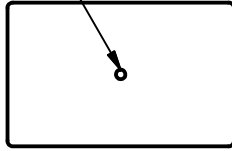
STEP 46



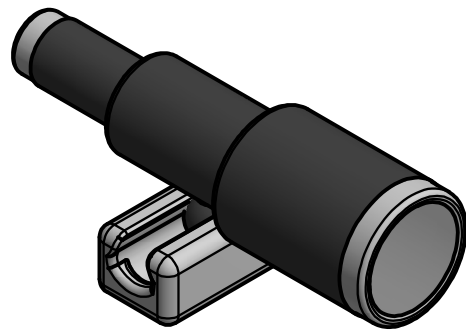
NOTE HOLE LOCATION
FOR PROPER ORIENTATION.



THIS HOLE FACES THE
RAIL IN THIS STEP.

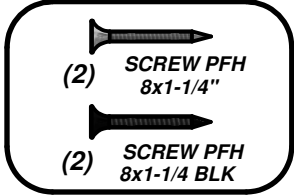


- (1) E10 - MOUNTING BLOCK - W4L11155
1 3/8"x3"x4 3/4" (36x76x120)

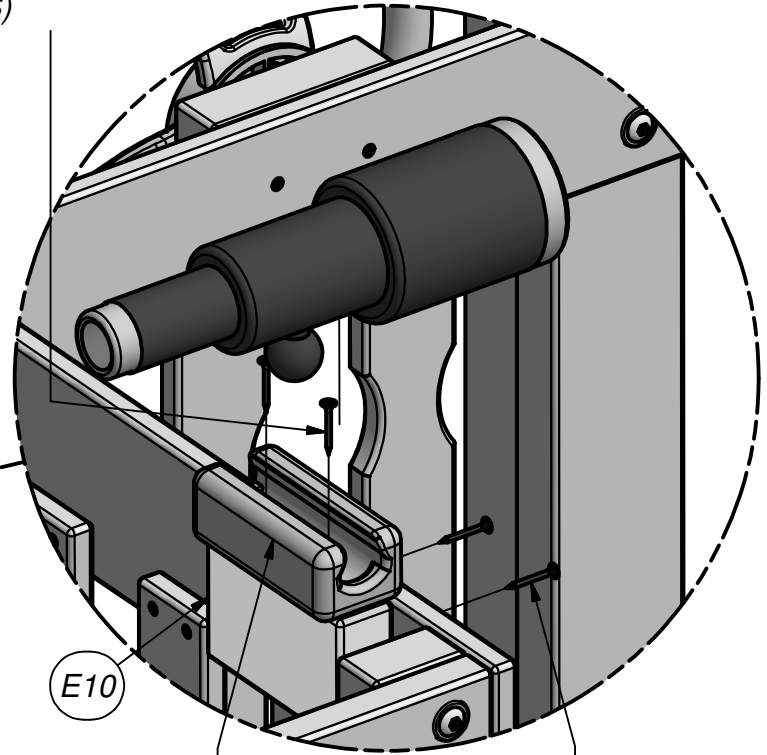


- (1) LN - TELESCOPE - A6P00096

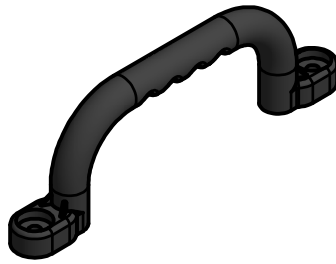
STEP 47



SCREW PFH 8x1-1/4"
(2 PLCS)

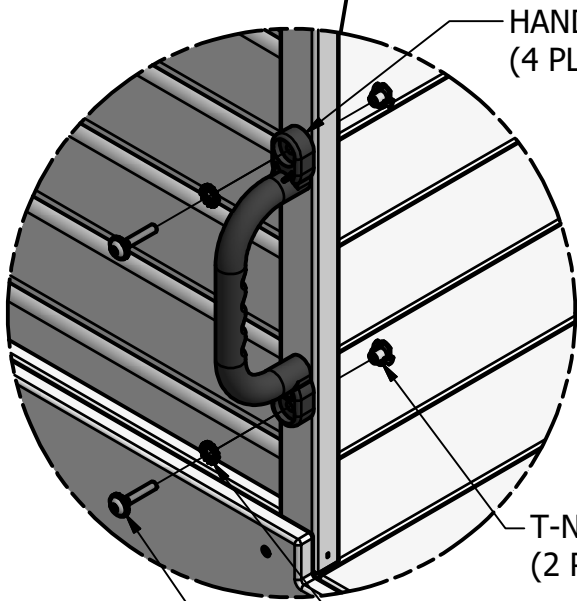
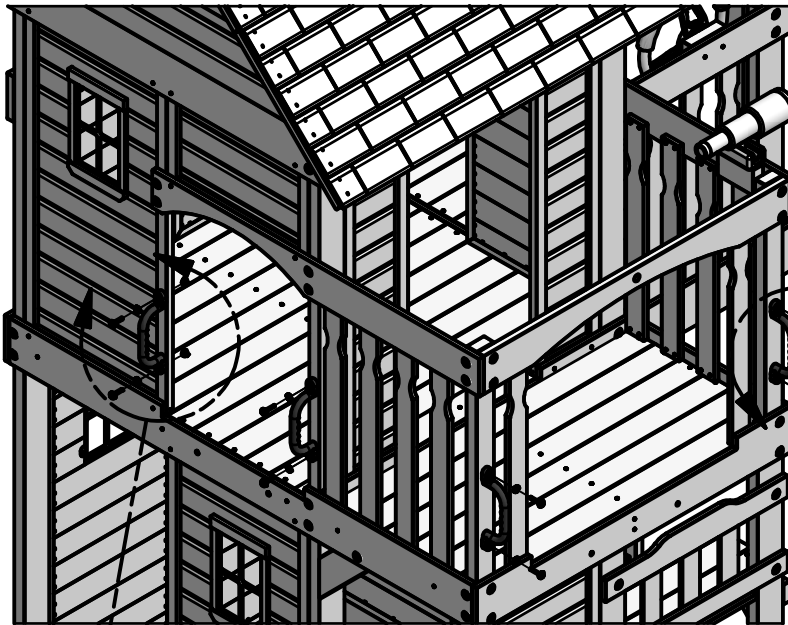
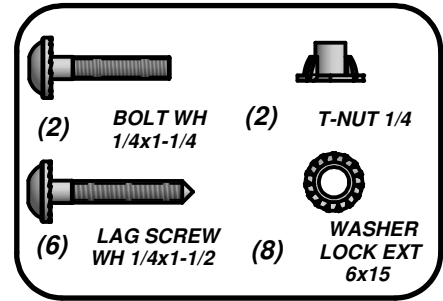


TELESCOPEKIT
SCREW PFH 8x1-1/4 BLK
(2 PLCS)



(4) - HAND GRIP GREEN PLASTIC - A100028

STEP 48

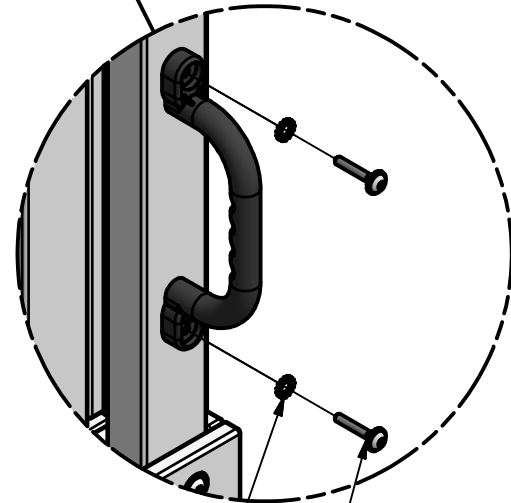


HAND GRIP GREEN PLASTIC
(4 PLCS)

T-NUT 1/4
(2 PLCS)

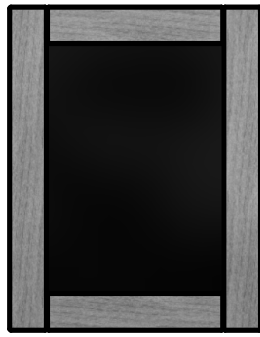
WASHER LOCK EXT 6x15
(2 PLCS)

BOLT WH 1/4x1-1/4
(2 PLCS)



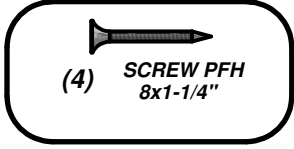
WASHER LOCK EXT 6x15
(6 PLCS)

LAG SCREW WH 1/4x1-1/2
(6 PLCS)



(1) - CHALKBOARD - A4M00906

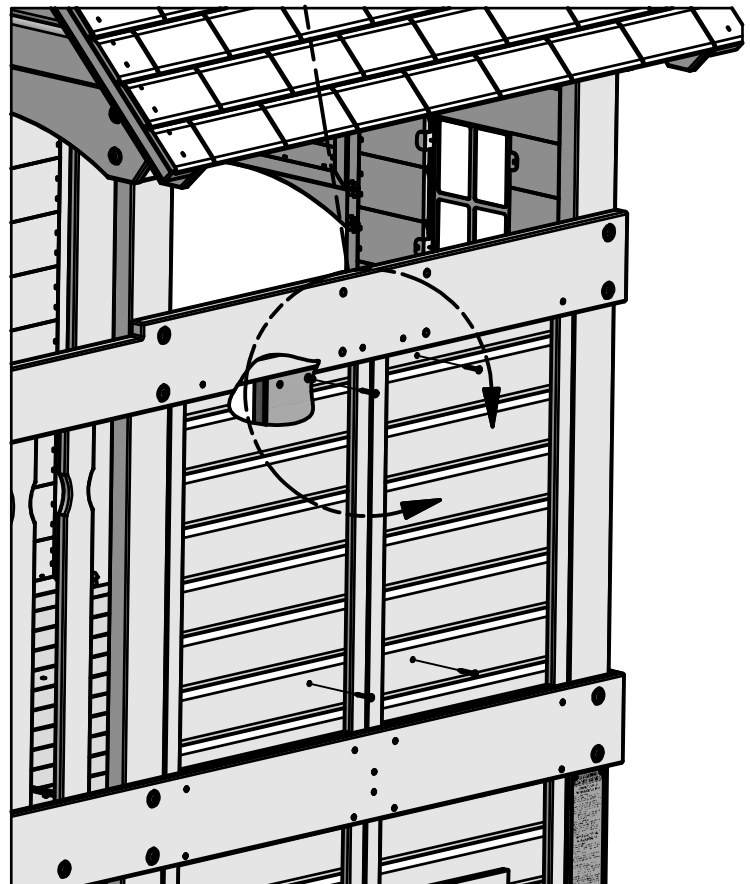
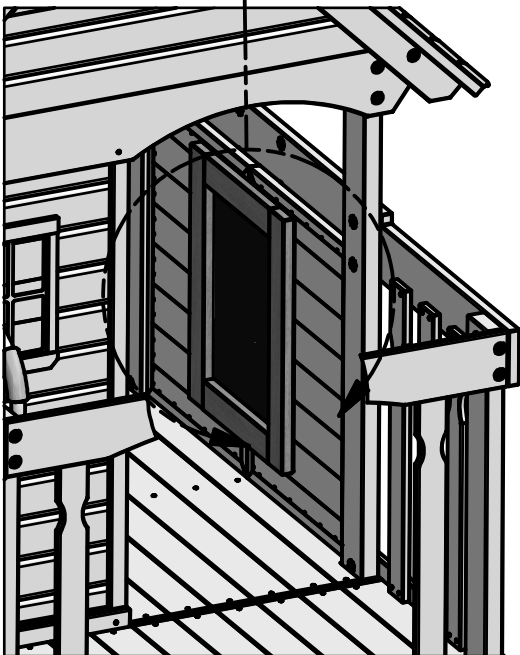
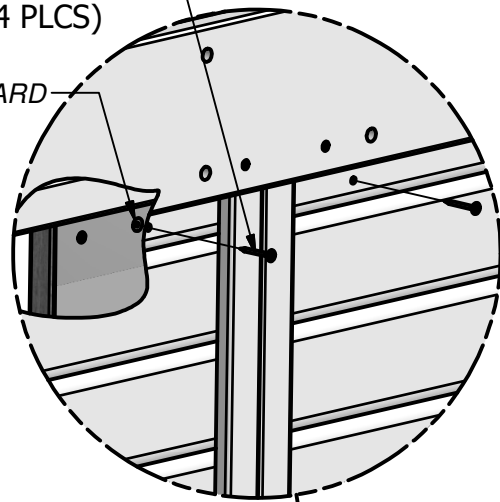
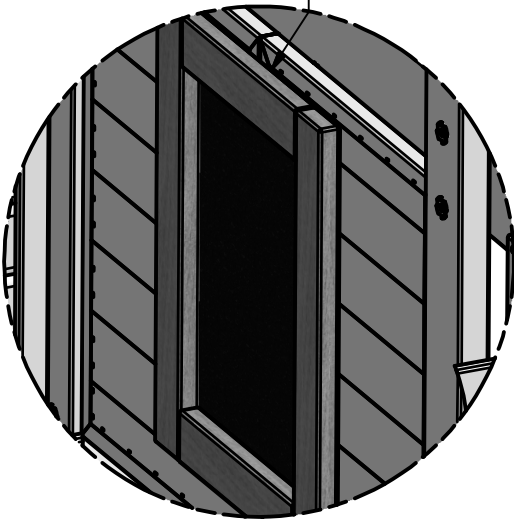
STEP 49

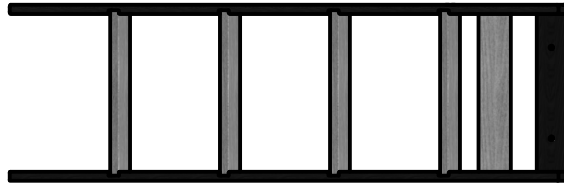


SCREW PFH 8x1-1/4"
(4 PLCS)

NOTE HOLES IN CHALKBOARD

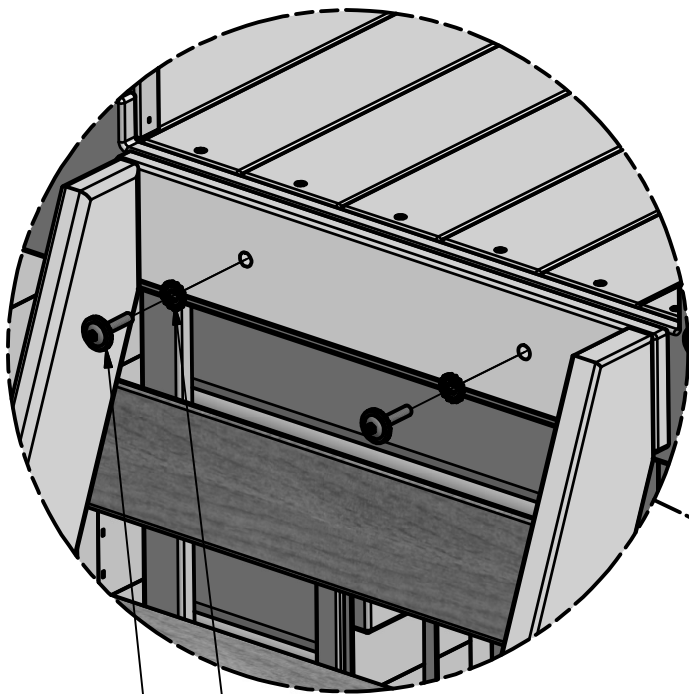
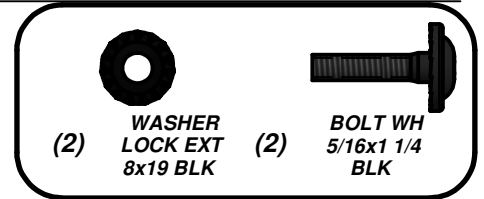
CHALKBOARD





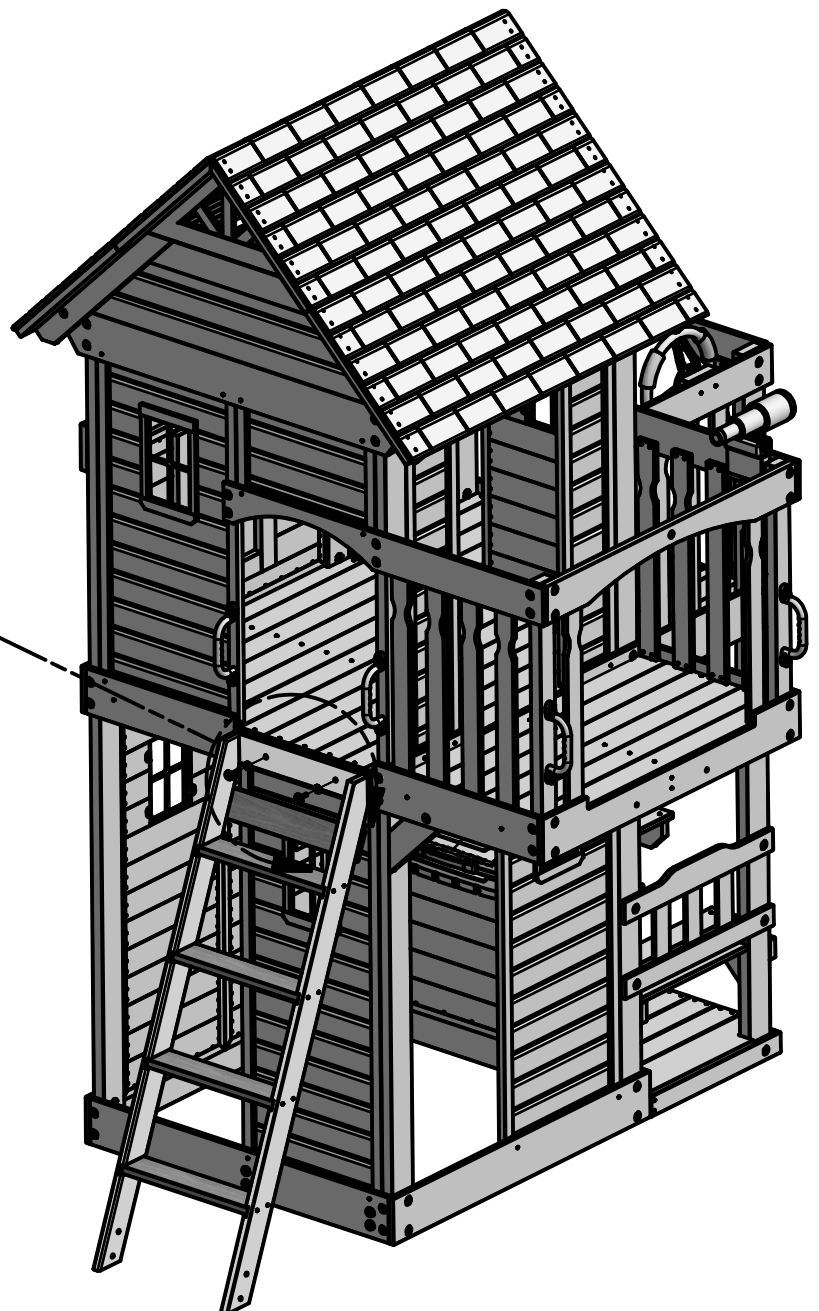
(1) LADDER ASSEMBLY

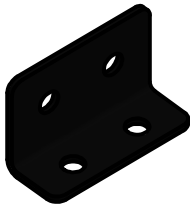
STEP 50



WASHER LOCK EXT 8x19 BLK
(2 PLCS)

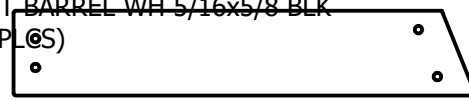
BOLT WH 5/16x1 1/4 BLK
(2 PLCS)





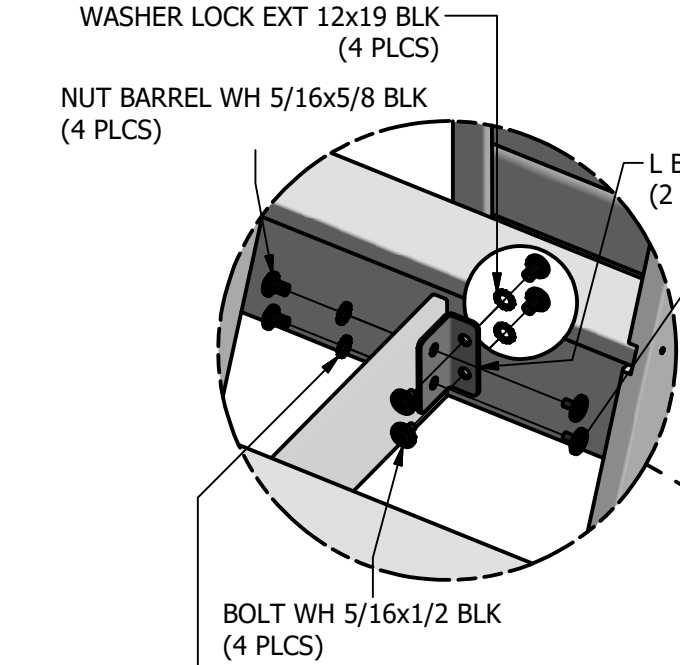
(2) - L BRACKET 51x32x82x3.175 - A4M00855

NUT BARREL WH 5/16x5/8 BLK
(4 PLCS)

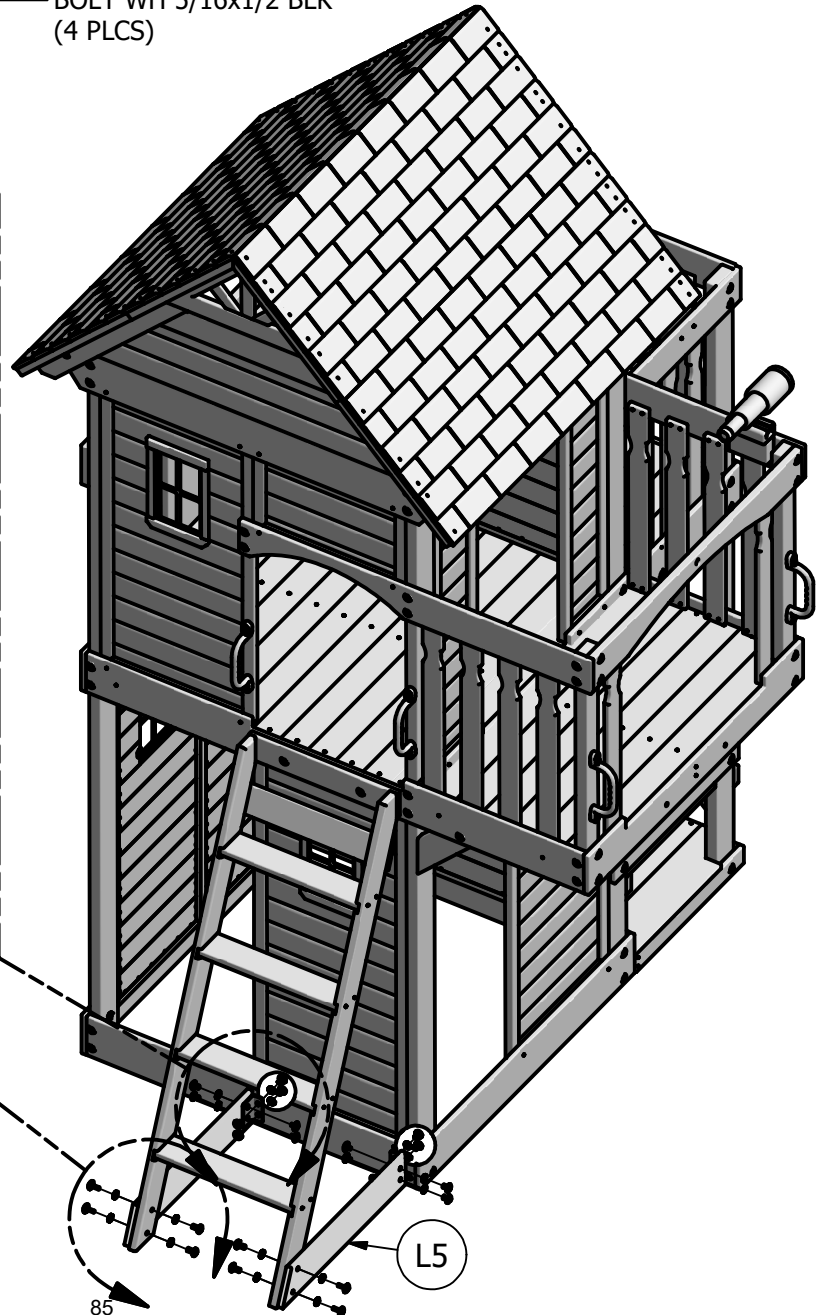
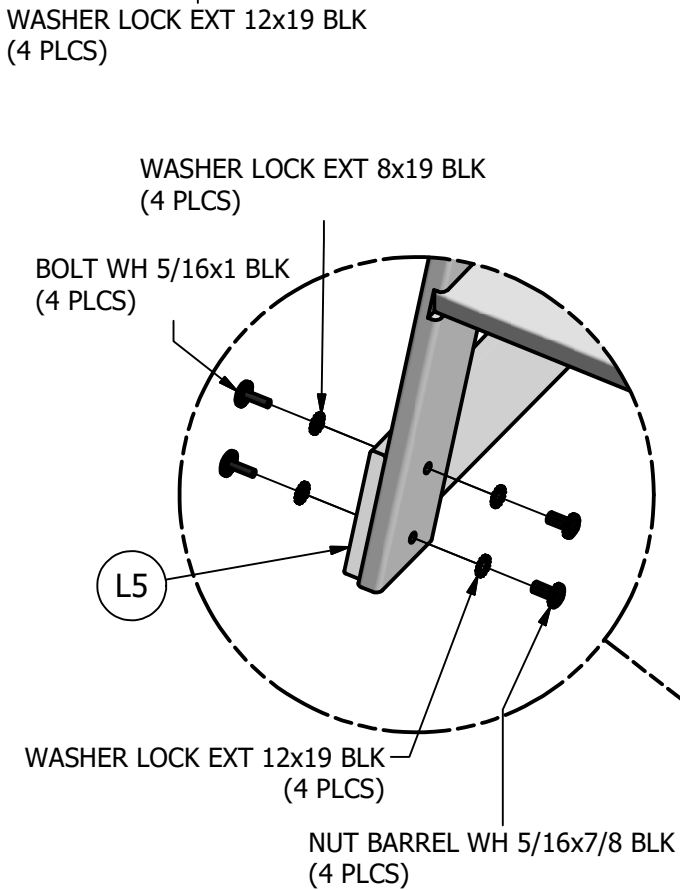


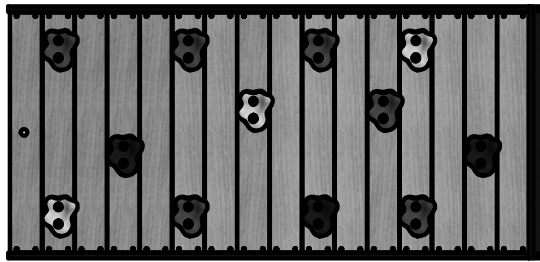
(2) L5 - GROUND BOARD - W4L11652
5/8"x4 3/8"x24 1/8" (16x112x612)

STEP 51



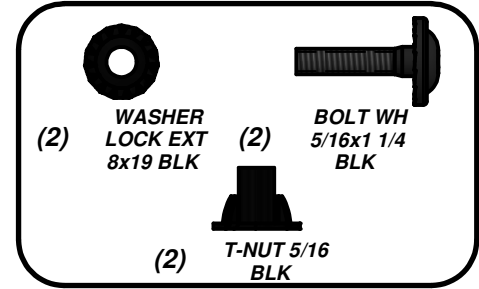
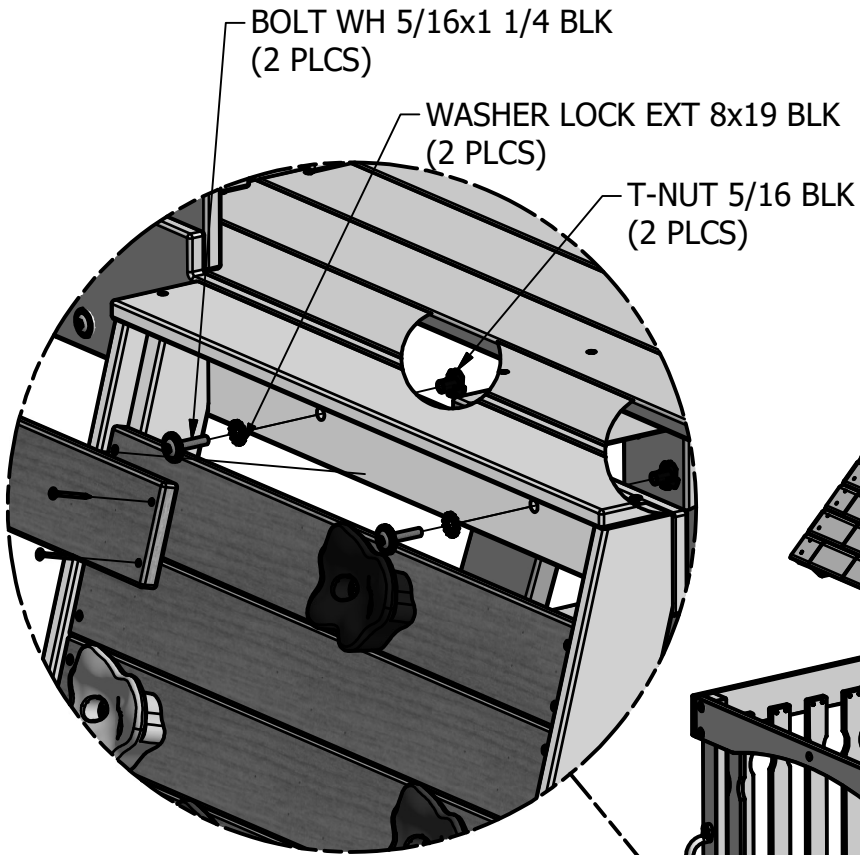
(8) BOLT WH 5/16x1/2 BLK	(4) BOLT WH 5/16x1 BLK	(4) WASHER LOCK EXT 8x19 BLK
(8) NUT BARREL WH 5/16x5/8 BLK	(4) NUT BARREL WH 5/16x7/8 BLK	(12) WASHER LOCK EXT 12x19 BLK



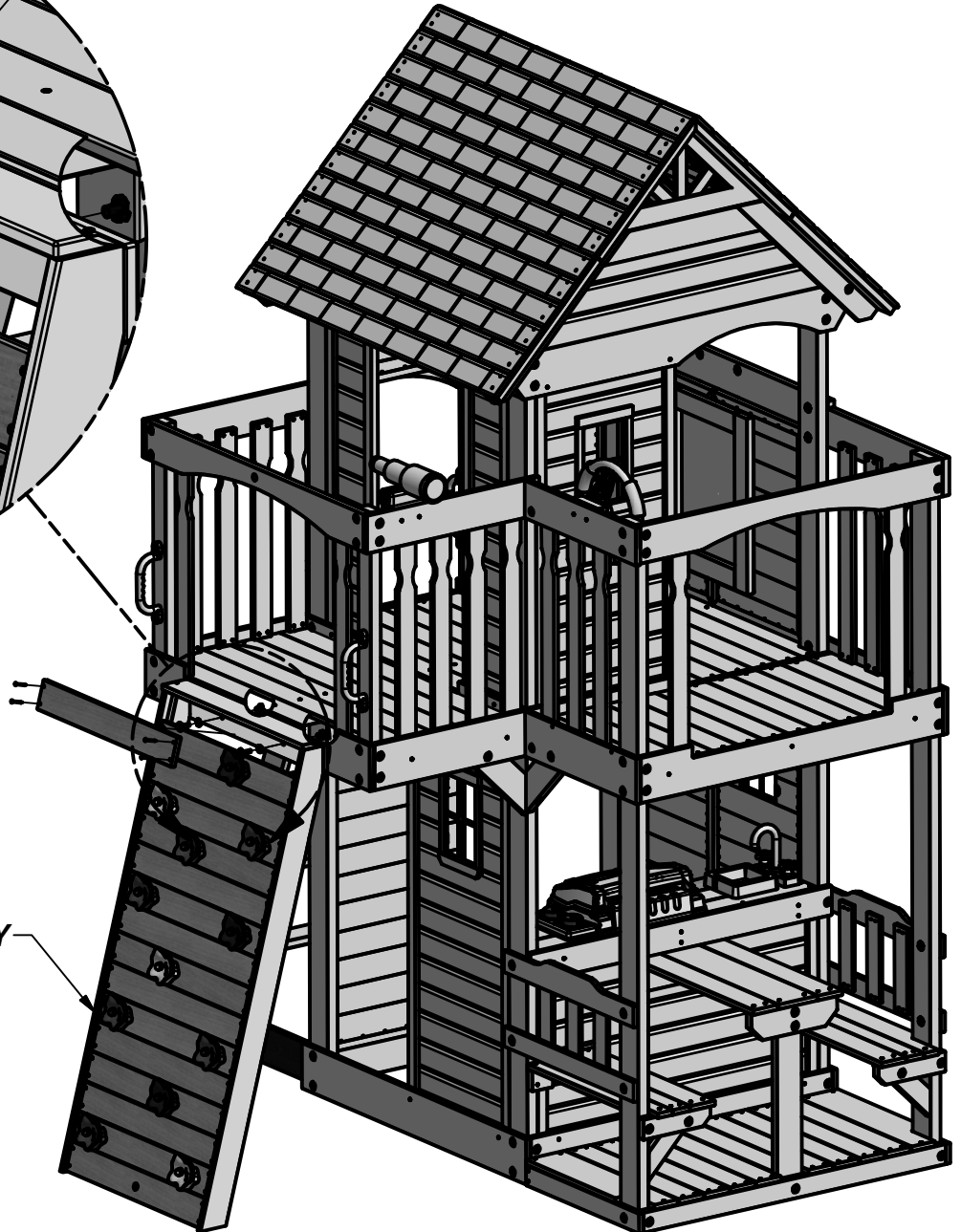


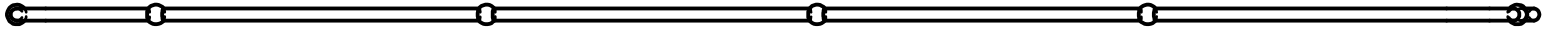
(1) ROCKWALL ASSEMBLY

STEP 52



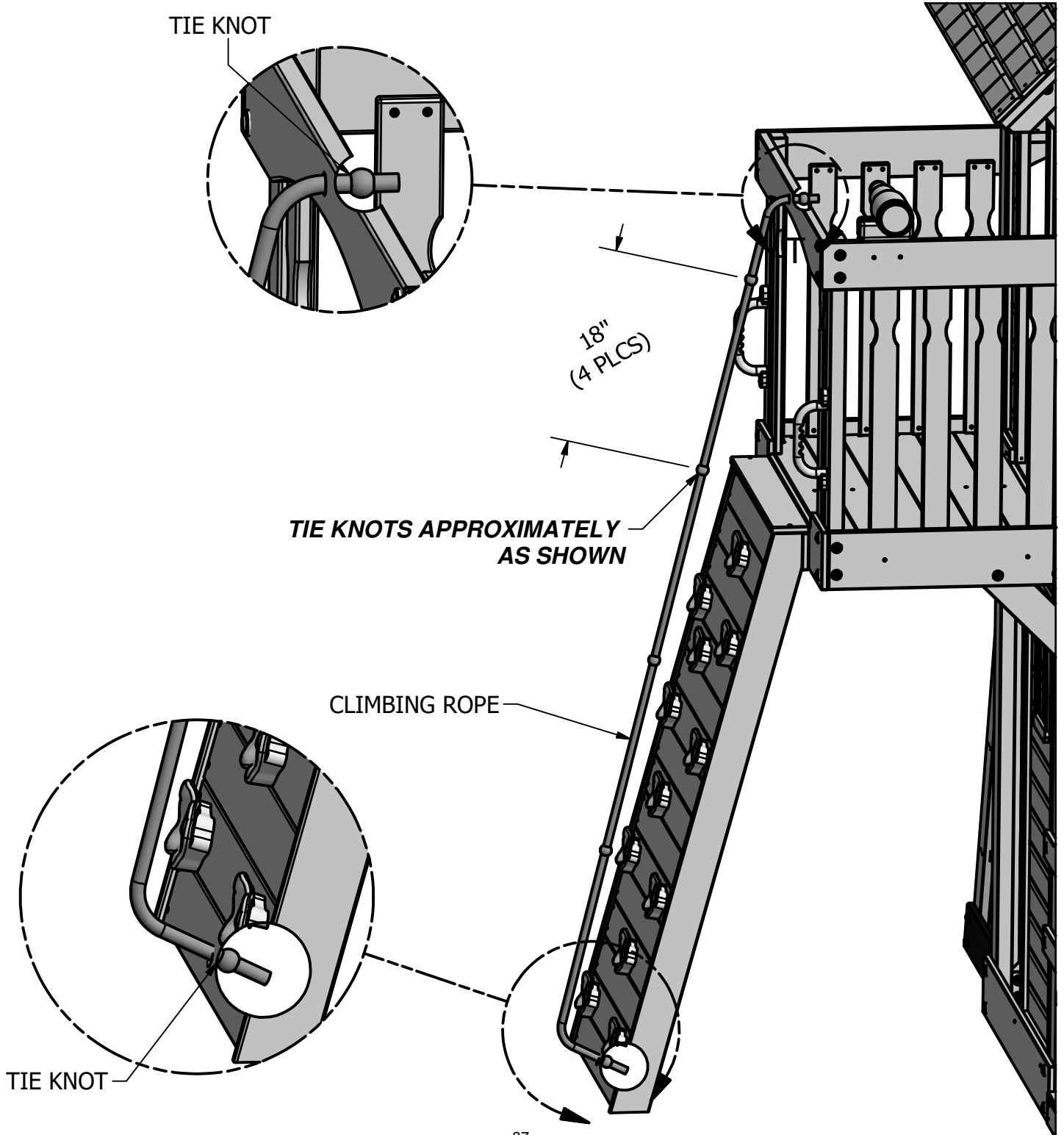
ROCKWALL ASSEMBLY





(1) - CLIMBING ROPE - A6P00260

STEP 53



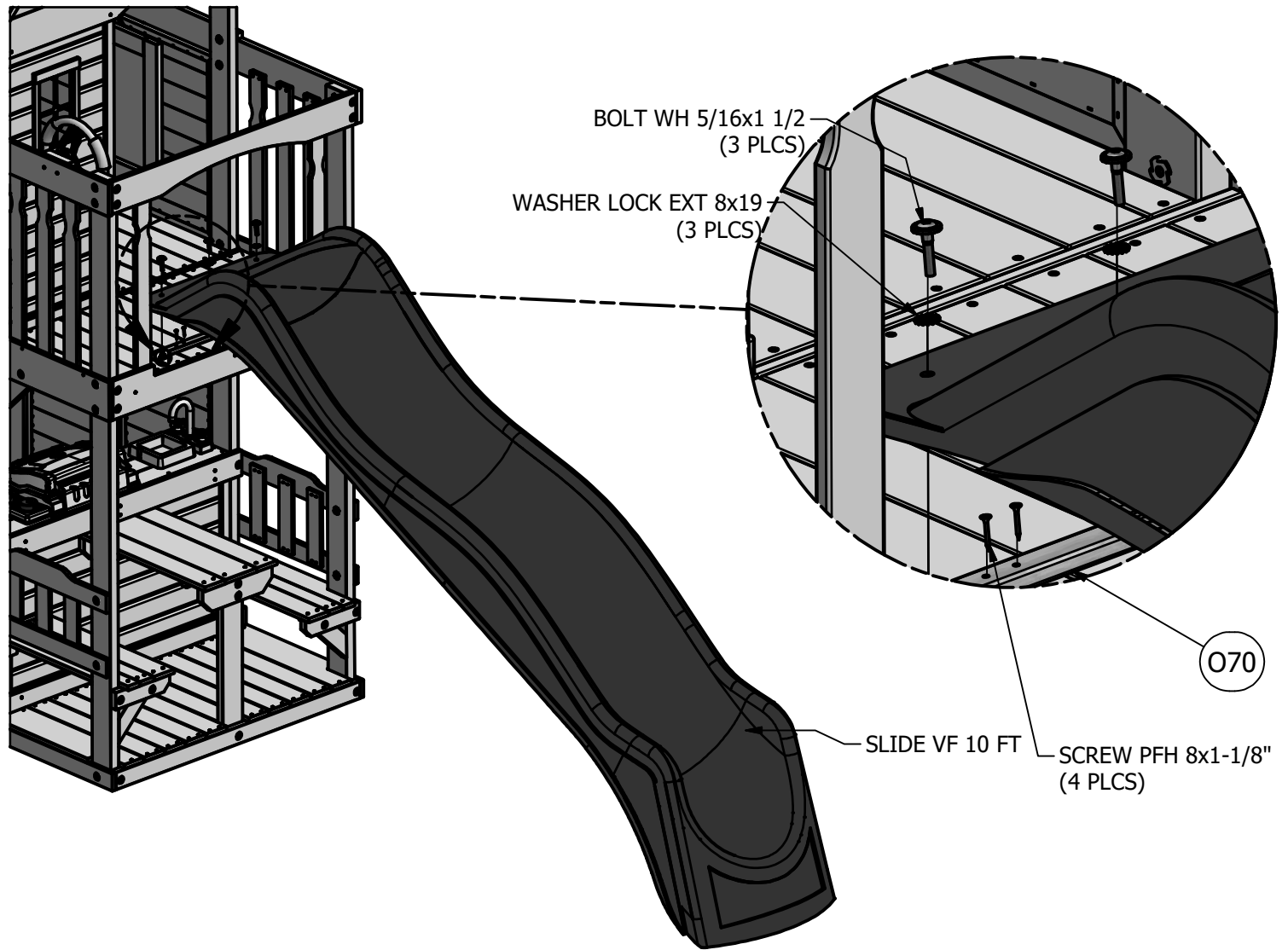
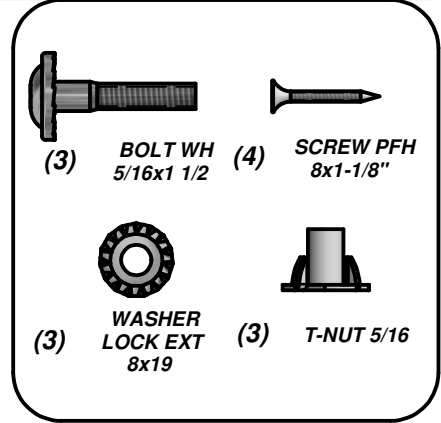
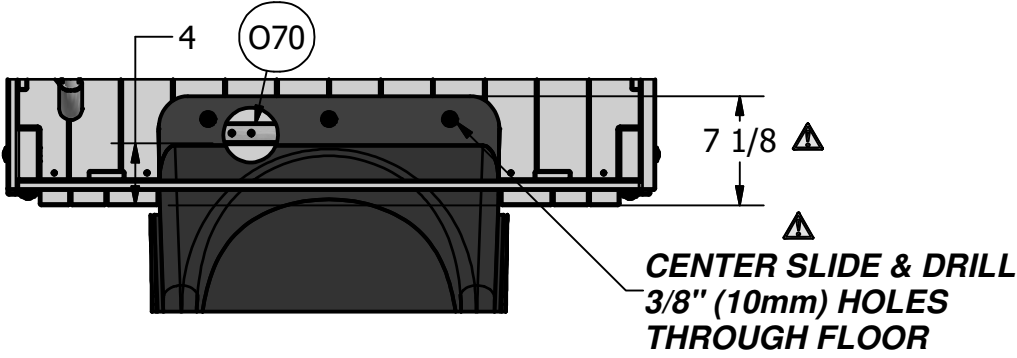


(1) QU - SLIDE VF 10 FT - A100287 OR A6P00540 OR A6P00539

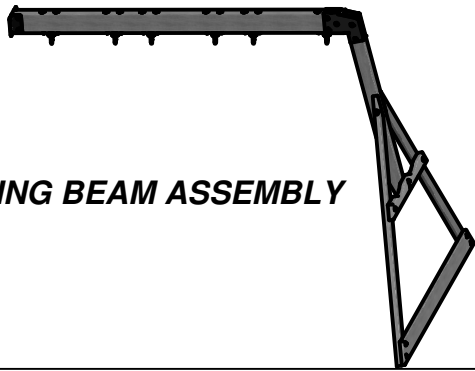


(1) O70 - SLIDE MOUNTING BOARD - W4L09040
5/8"x1 3/8"x20 3/8" (16x34x517)

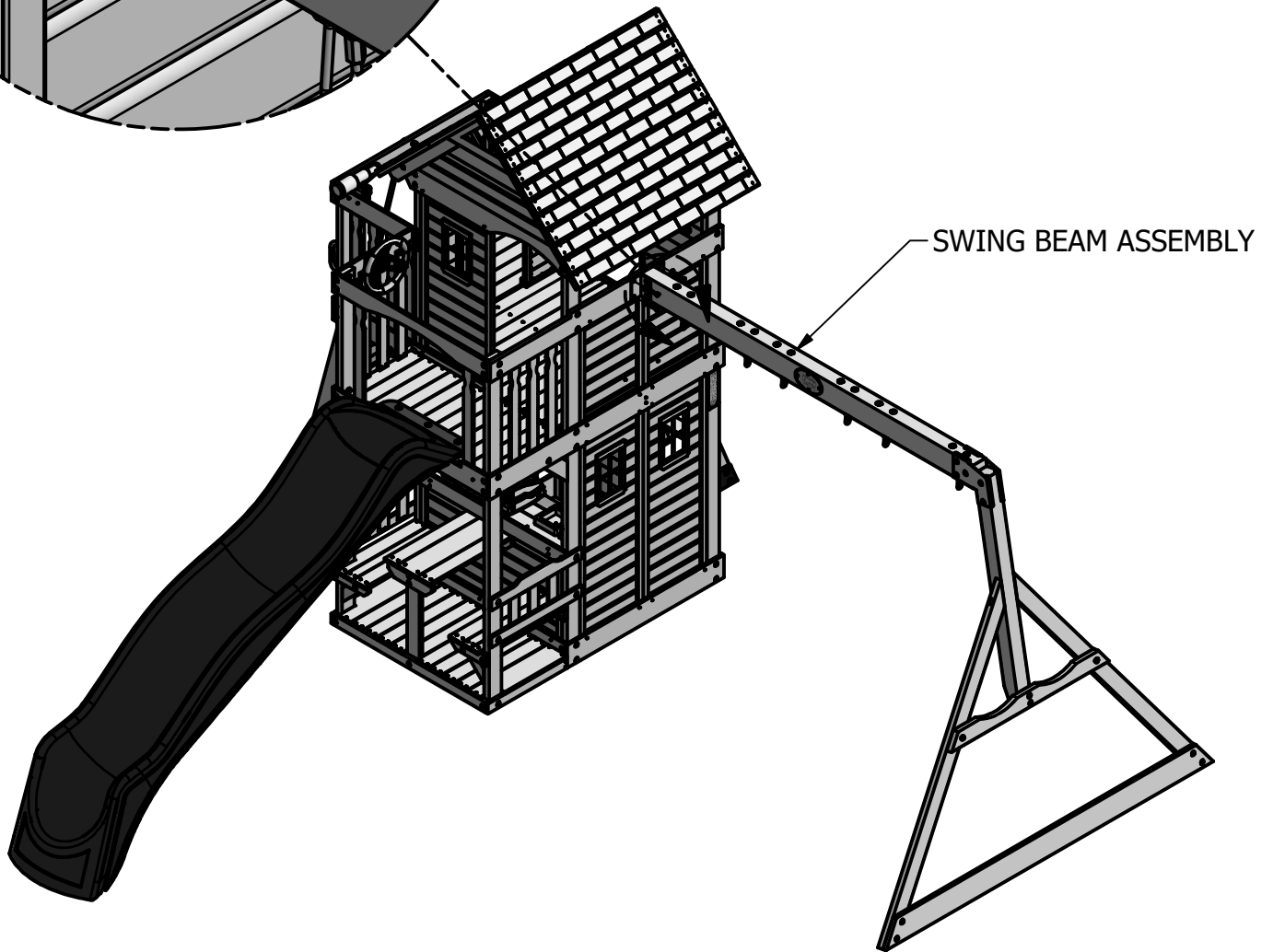
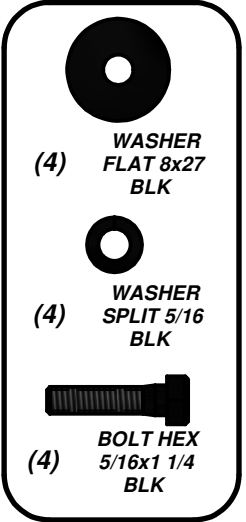
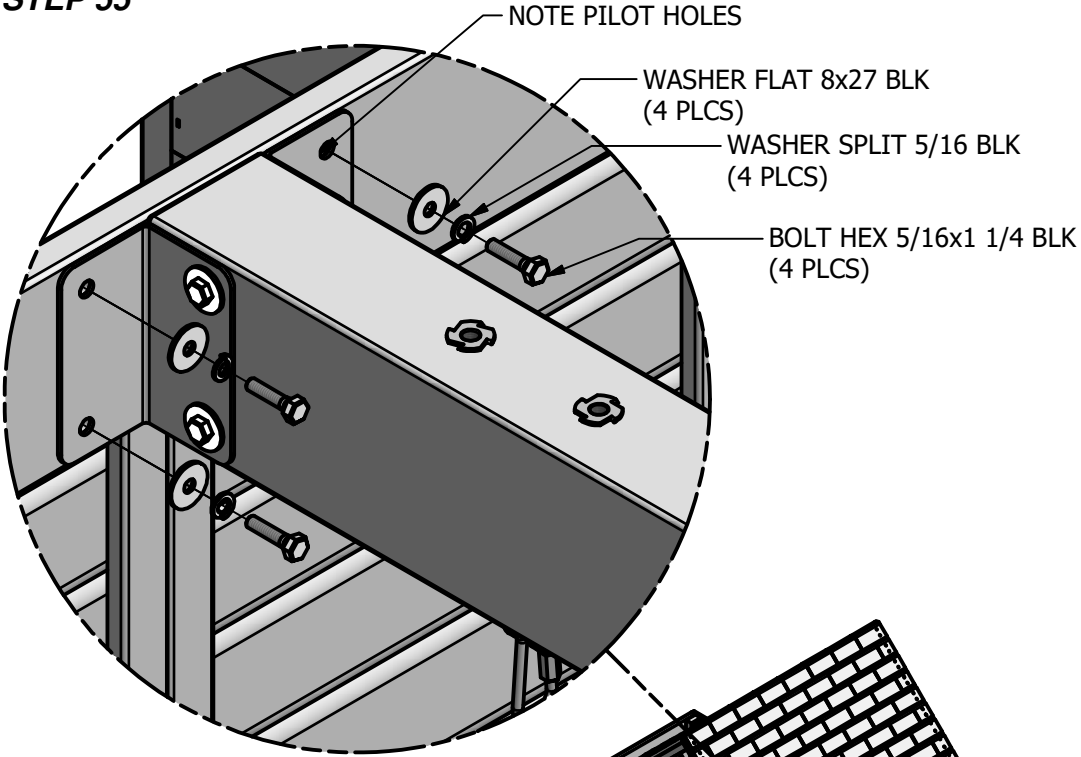
STEP 54



(1) SWING BEAM ASSEMBLY



STEP 55

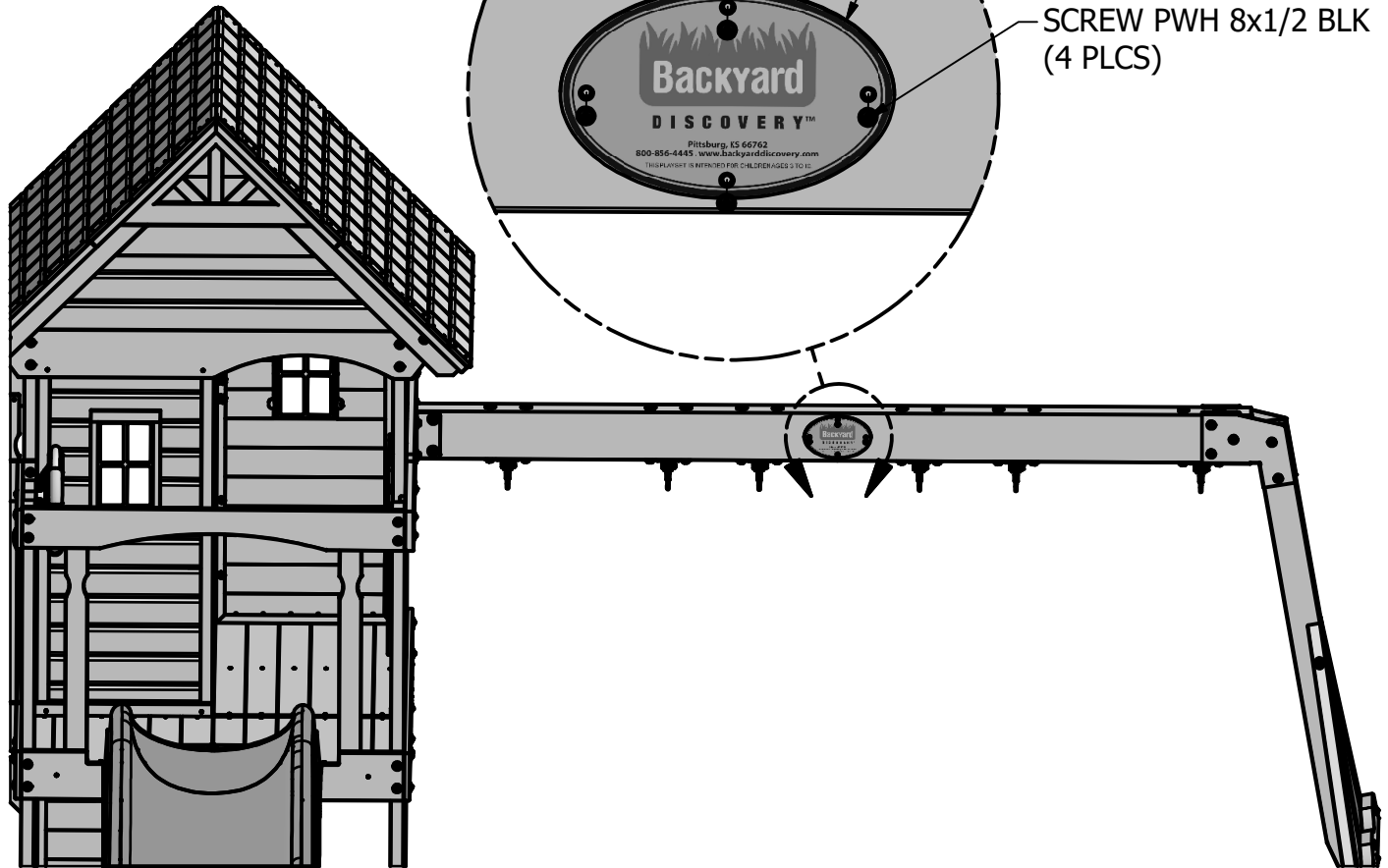
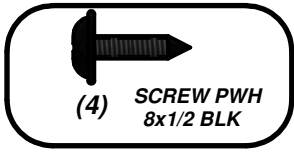




(1) - BYD ID TAG (LARGE) AGES 3-10 - A100164

STEP 56

ALIGN ID TAG IN THE CENTER OF SWING BEAM





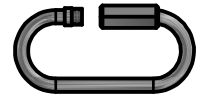
(4) - CHAIN GREEN 51.25" - A100068



(2) - SWING SEAT GREEN 22" - A6P00054

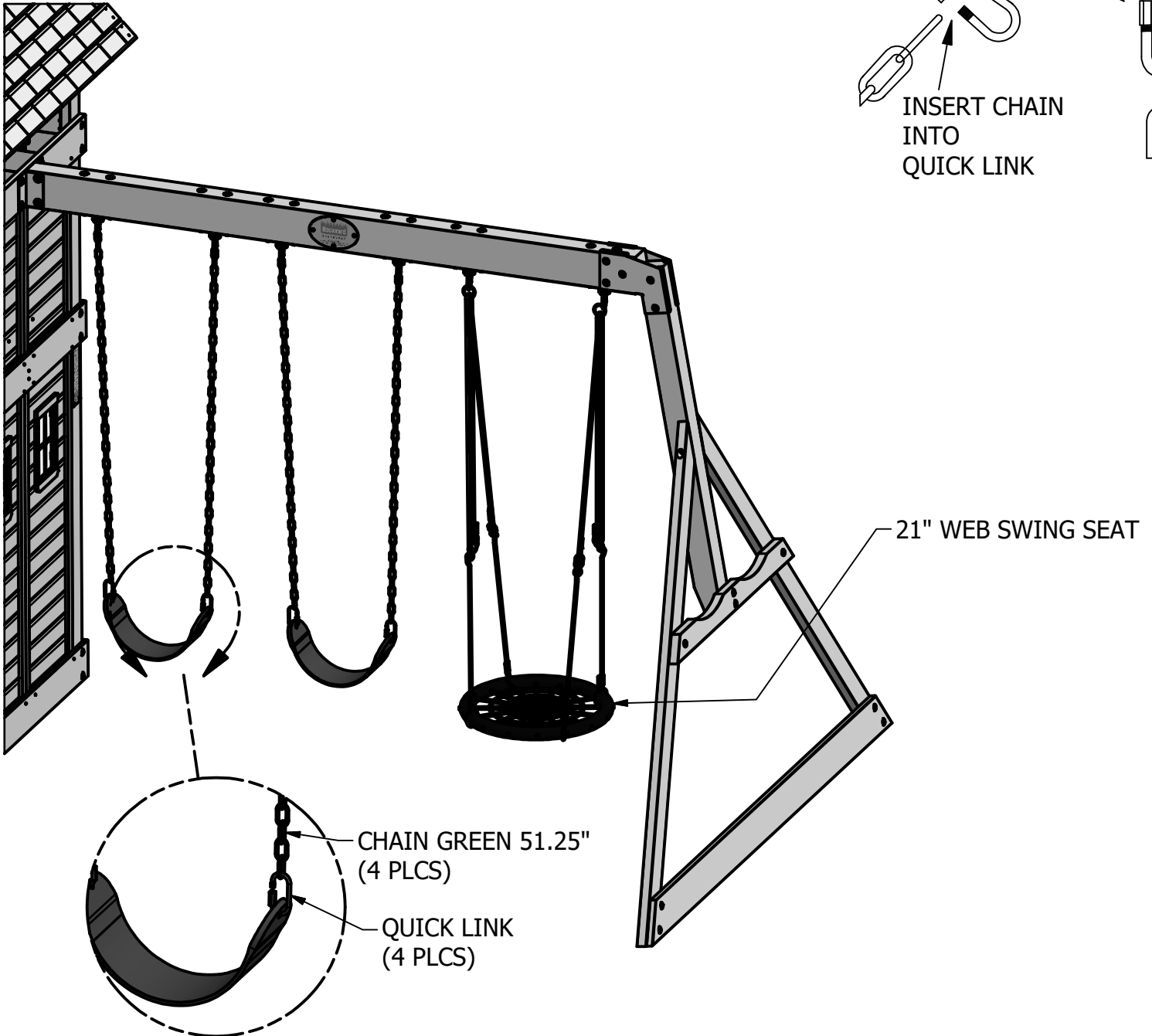


(1) - 21" WEB SWING SEAT - A6P00285



(4) - QUICK LINK - A100069

STEP 57

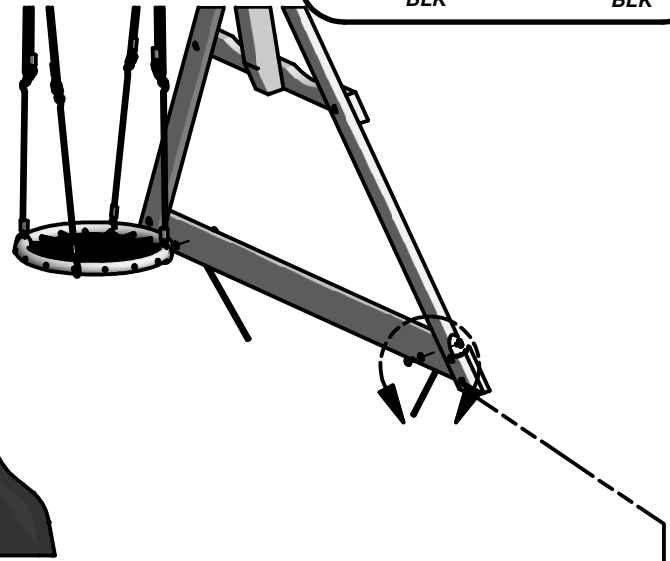
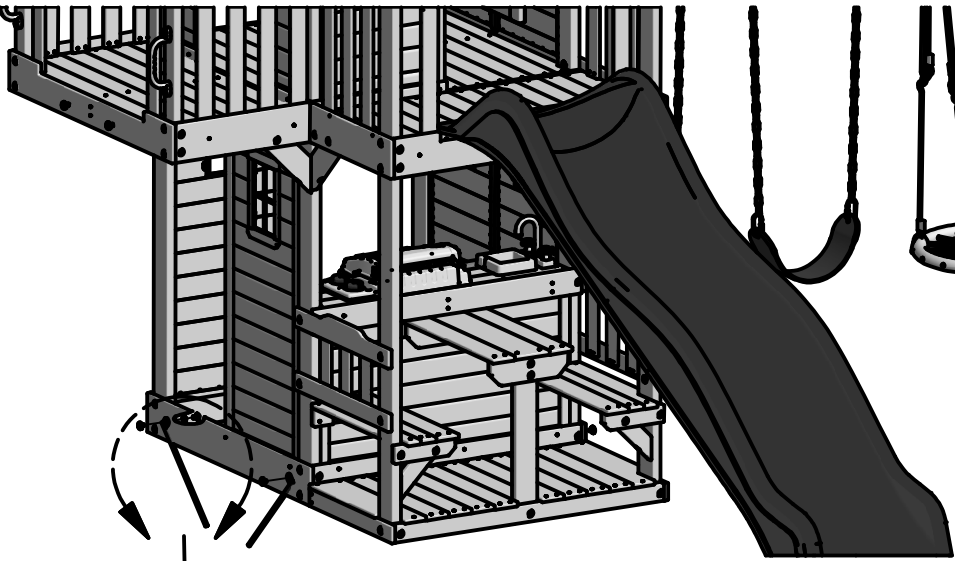
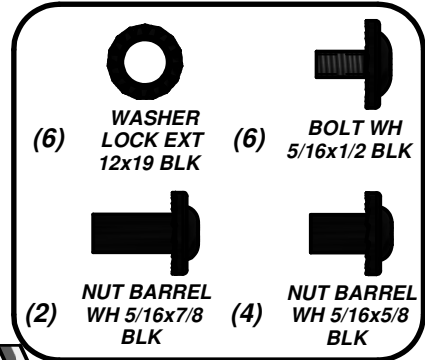


STEP 58

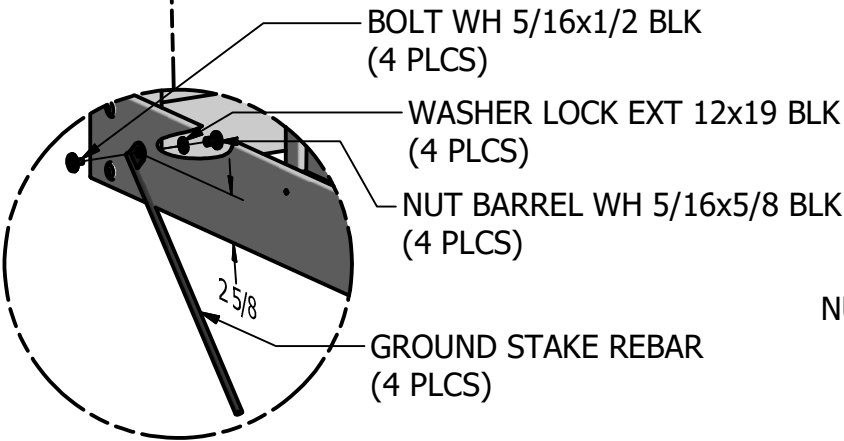
Anchoring Instructions

TAP IN GROUND STAKES AT AN APPROXIMATE 45° ANGLE AT THE LOCATIONS SHOWN. USING GROUND STAKES AS A GUIDE, DRILL 7/16" DIA HOLES.

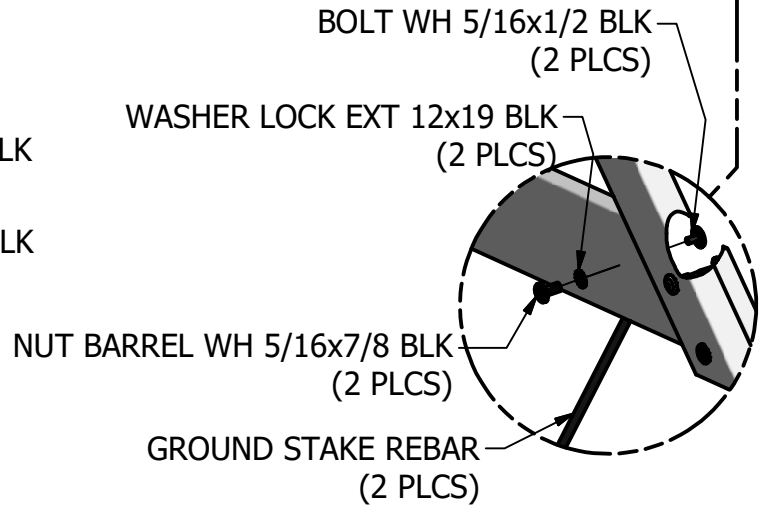
NOTE:
FAILURE TO USE GROUND STAKES CAN VOID WARRANTY & CAUSE INJURY!



FORT GROUND STAKES



SWING BEAM GROUND STAKES



FINAL STEP

DOUBLE CHECK EVERY BOLT, SCREW AND NUT FOR TIGHTNESS. MAKE SURE EVERY BOARD IS SECURE AND MAKE SURE THE PLAY SET IS LEVEL.

ENJOY YOUR NEW PLAY SET!